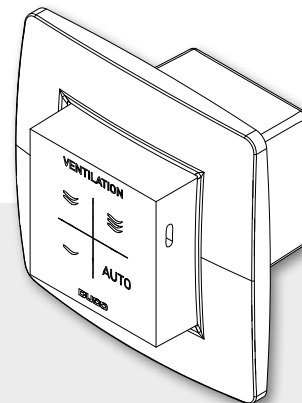


TECHNICAL DATA SHEET

User controller



Optional component within DUCO's demand-controlled ventilation systems.

The ventilation system can be controlled as required via the push buttons on the control switch. The control switch is available in 2 versions: either battery-powered, exclusively wireless via RF; or 230VAC/24VDC, wireless via RF or Wired.

Physical characteristics

Article number + colour	0000-4175 (Black) – RF/Bat 0000-4600 (White) – RF/Bat 0000-4601 (Black) – RF-Wired/230VAC-24VDC 0000-4602 (White) – RF-Wired/230VAC-24VDC
Width x Height x Depth (mm)	Battery 69 x 69 x 17 (excl. cover plate) 83 x 83 x 17 (incl. cover plate) 230VAC – 24VDC 69 x 69 x 55.5 (excl. cover plate) 83 x 83 x 55.5 (incl. cover plate)
Weight	RF/Wired: 179 grams RF/BAT: 38 grams
Material	Polycarbonate-ABS
Display	Battery > 1 RGB LED 230VAC-24VDC > 4 RGB LEDs
Operation	3 positions + automatic control
Suitable for use with	DucoBox Silent (Connect) (FR) DucoBox Focus / DucoBox Hygro Plus DucoBox Energy

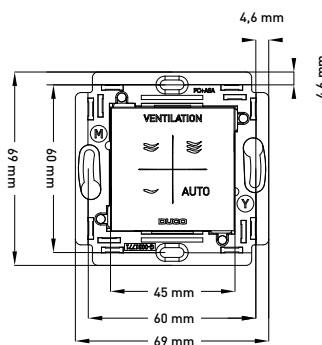
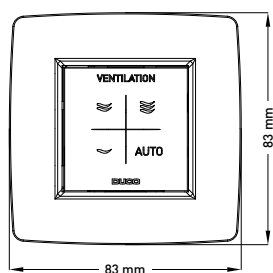
Electrical characteristics

Power supply + communication	Battery > wireless ('RF') 230VAC > wireless ('RF') 24VDC > Wired
Peak power	1,2 W*
Reverse polarity protection	Graetz bridge*
IP class	IP 31

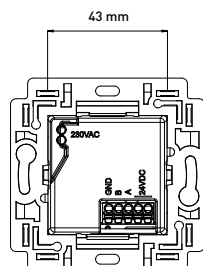
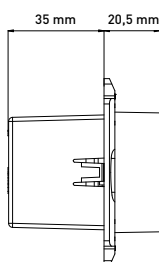
*Applicable only to RF-Wired/230VAC-24VDC

Operating conditions

Temperature	0°C - 40°C
Humidity	Not water-resistant



RF-WIRED / 230VAC - 24VDC



RF/Battery

