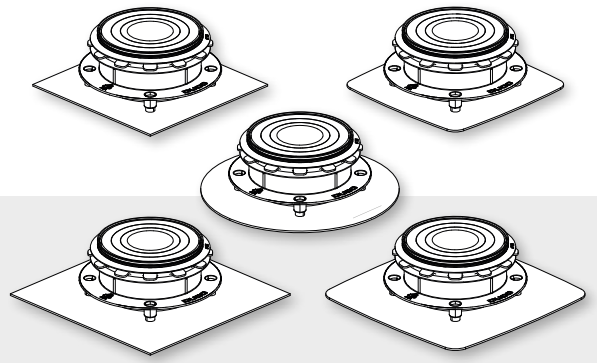


# TECHNICAL DATA SHEET

## DucoVent Design AK

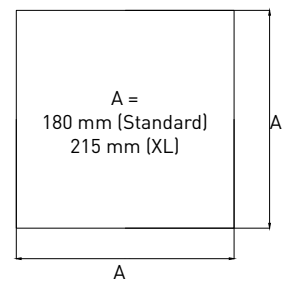


An aesthetic vent, available with **five different cover plates**: square (standard and XL), rounded square (standard and XL) or round. The **sleek design**, combined with **simple installation** thanks to the magnetic strips used, ensures **virtually invisible integration** into any room where air extraction or supply is provided.

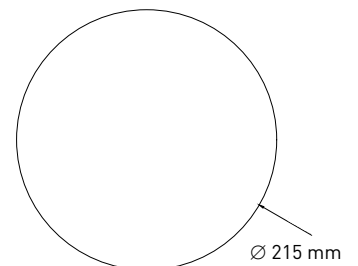
### Physical properties

	Square Standard	Square XL	Round	Rounded Square Standard	Rounded Square XL
Item number	0000-7006	0000-7007	0000-7008	0000-7012	0000-7013
Suitable for	Extraction	Extraction / Supply	Extraction / Supply	Extraction	Extraction / Supply
Weight	362 g	419 g	381 g	356 g	413 g
Material	Plastic   Rubber Aluminium (Al Mg Si 0.5)   Composite foam D100				
Colour	White (RAL 9010 texture (AE03059901020)) Other RAL colours on request				
Surface treatment	Enamelled				
Fitting / setting-up method	Suitable for ceiling and wall Min. 180 cm above the floor Min. 35 cm from the wall				
Connection	Rubber ring, suitable for ducts of diameter 125 mm				
Adjustment	Pre-adjustment: via acoustic rings Fine adjustment: continuous with spindle				
Maximum flow rate	<b>Extract air:</b> 75 m <sup>3</sup> /h <b>Supply air:</b> 50 m <sup>3</sup> /h				
Resistance	<b>Extract air:</b> 25 m <sup>3</sup> /h → 35 Pa   50 m <sup>3</sup> /h → 40 Pa   75 m <sup>3</sup> /h → 35 Pa <b>Supply air:</b> 25 m <sup>3</sup> /h → 20 Pa   50 m <sup>3</sup> /h → 23 Pa				
Sound deadening	Yes				
Noise level	<b>Extract air:</b> < 15 dB(A) at 50 m <sup>3</sup> /h <b>Supply air:</b> to be established				

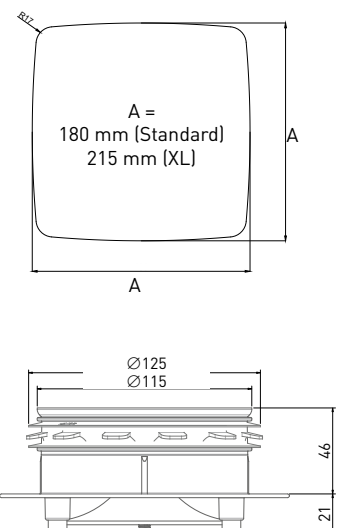
Square



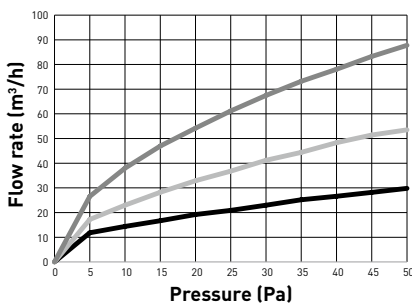
Round



Rounded Square

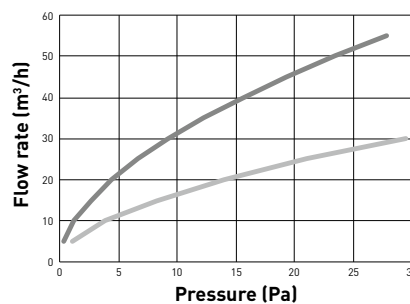


Extraction



- Flow rate with 1 ring
- Flow rate with 2 rings
- Flow rate with 3 rings

Supply



- Flow rate with 1 ring
- Flow rate with 2 rings