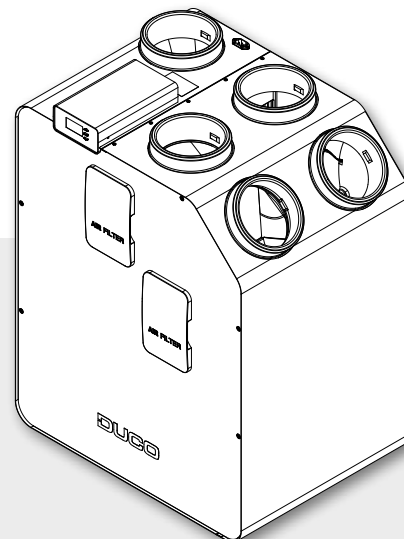


# TECHNICAL DATA SHEET

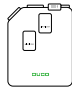
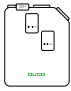
## DucoBox Energy Premium 325



The DucoBox Energy Premium is a **mechanical ventilation unit with heat recovery**. It supplies fresh air mechanically to and extracts stale air mechanically from the home with the help of integrated fans. During this process, the heat is recovered from the extracted air and transferred to the air supplied.

The optional, integrated **2-zone system** with demand control ensures extremely **quiet, intelligent and energy-efficient operation**. Control components can be paired with the DucoBox Energy Premium (= master unit). The DucoBox Energy Premium features a frost protection system (with or without heater), a bypass function and constant flow. **Semi-automatic calibration** ensures the device can be installed quickly.

### Versions

Type	Supply and extraction capacity at 150 Pa in m <sup>3</sup> /h	2-zone system	Frost protection	Article number	
				 LEFT	 RIGHT
DucoBox Energy Premium 325-1ZS	325	no	imbalance	0000-4358	0000-4359
DucoBox Energy Premium 325-1ZH			imbalance + heater	0000-4360	0000-4361
DucoBox Energy Premium 325-2ZS		Yes	imbalance	0000-4362	0000-4363
DucoBox Energy Premium 325-2ZH			imbalance + heater	0000-4364	0000-4365

### Optional accessories

Product	Article number
Mounting chair standing (Energy Premium)	0000-4421
Mounting chair hanging (Energy Premium)	0000-4422
Siphon flat (Energy)	0000-4376
Duco Connectivity Board	0000-4810
Humidity Box Sensor (Energy Premium)	0000-4374

## Physical characteristics

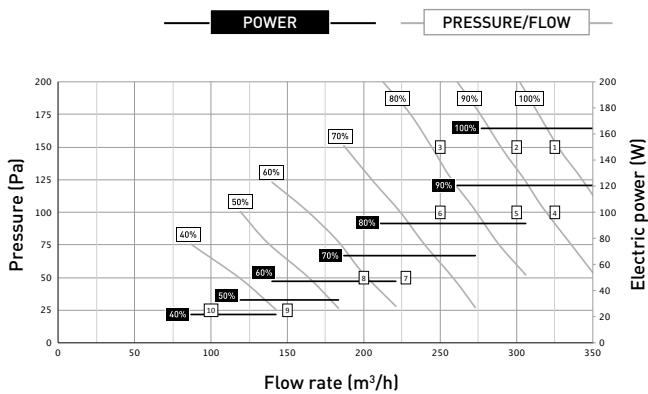
<b>Width x Height x Depth (mm)</b>	740 x 957 x 585
<b>Casing</b>	Coated sheet steel
<b>Colours</b>	White + green
<b>Connections</b>	Internal diameter: Ø 160 mm External diameter: Ø 190 mm
<b>Condensate drain</b>	Ø 32 mm (1 ¼")
<b>Heat exchanger</b>	PET / Polystyrene
<b>Material of inside section</b>	EPP / PP / ABS
<b>Weight</b>	47 kg
<b>Power cable length</b>	2 m (to be connected to top of device)
<b>Mounting</b>	Wall mounting (standard) Floor mounting as an option using a support frame

## Electrical characteristics

<b>Maximum power at 50 Pa</b>	105,8 W
<b>Maximum heater power</b>	1000 W
<b>Power supply</b>	230 V, 50 Hz via 3-core power cable with earthed plug
<b>Type of motor</b>	DC
<b>IP class</b>	IP40
<b>Energy conversion efficiency</b>	89,0% (EN 13141-7) 88% (Passive House Institute)

## Miscellaneous characteristics

<b>Energy class</b>	Control factor 0.65: <b>A+</b> Other: <b>A</b>
<b>Filters</b>	Filter supply air (175 x 500 x 25 mm) Standard: ISO 16890 Coarse 65% (≈ G4) Optional: ISO 16890 ePM1 55% (≈ F7)  Filter exhaust air (175 x 500 x 25 mm) Standard: ISO 16890 Coarse 65% (≈ G4)
<b>Summer by-pass</b>	Fully (100% modulating)
<b>Frost protection</b>	Imbalance Via proportional heater as an option
<b>Fans</b>	EC fan with backward curved blades
<b>Automatic calibration</b>	Yes (constant pressure)
<b>Constant flow regulation</b>	Yes
<b>Operation</b>	Integrated display Use via remote controls and CO <sub>2</sub> or Humidity Sensors
<b>Sensors</b>	<b>Integrated:</b> pressure, temperature, humidity (via optional Box sensor), onboard switch sensor <b>External:</b> CO <sub>2</sub> (via optional Sensor), Humidity (via optional Sensor), external Switch Sensor (voltage-free input) (optional)
<b>Communication</b>	<b>Standard:</b> Duco RF, Duco Wired, Switch Sensor <b>Expandable with Duco Connectivity Board:</b> Connection possible via REST API (locally or via the cloud) or Modbus TCP

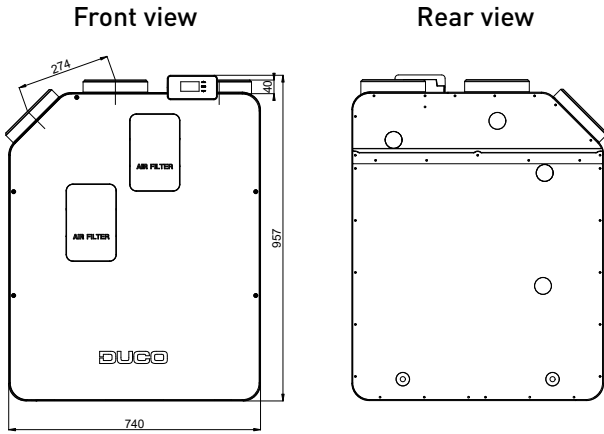


Measurement #	Flow rate Qv m³/h	Pressure Pa	Absorbed power P W	SFP Wh/m³	Sound level LwA*		
					emission from casing dB	supply dB	extraction dB
1	325	150	118	0,36	52,0	54,5	51,0
2	300	150	100	0,33	51,0	55,0	50,0
3	250	150	80	0,32	46,5	48,5	48,0
4	325	100	104	0,32	51,0	56,5	50,5
5	300	100	93	0,31	48,0	52,5	50,5
6	250	100	67	0,27	45,0	46,5	46,0
7	227,5	50	47	0,21	41,0	45,5	41,5
8	200	50	37	0,19	39,0	44,5	40,0
9	150	25	26	0,17	31,0	36,0	39,5
10	100	25	16	0,16	28,5	35,5	39,0

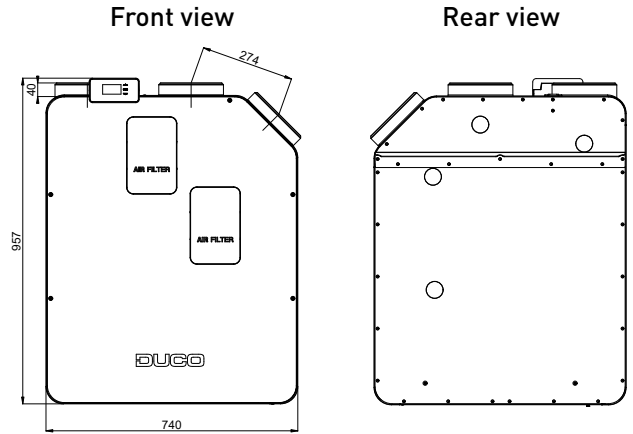
\* Emission from casing measured in accordance with ISO 3741:2010  
Supply and extraction noise level in accordance with ISO 5135:1997 (with duct correction)

# Dimensions of DucoBox Energy Premium

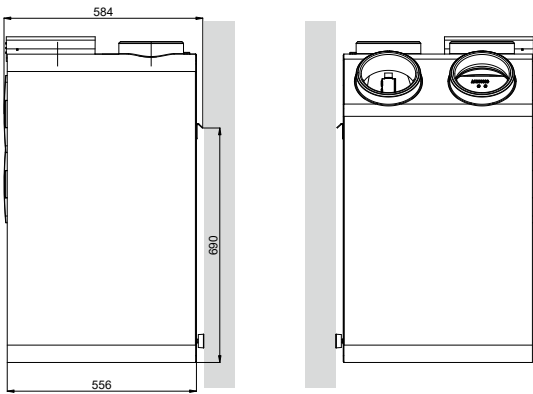
## LEFT model



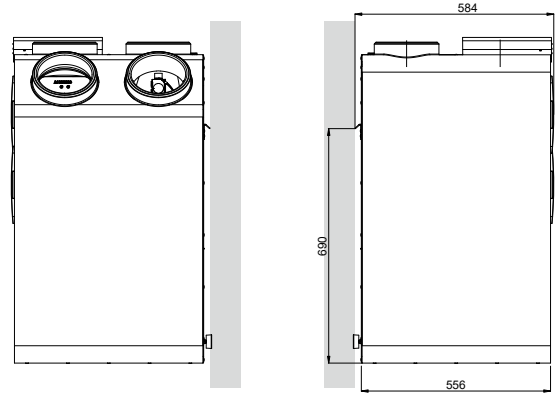
## RIGHT model



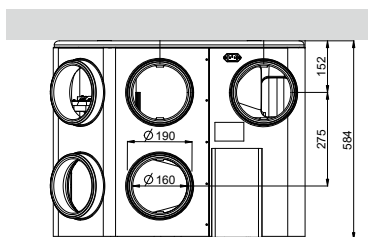
## Side view



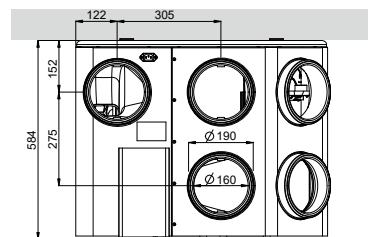
## Side view



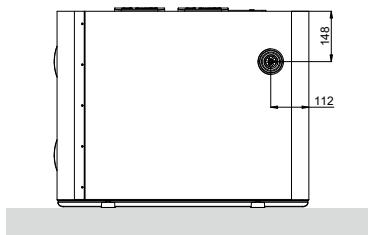
## Top view



## Top view



## Bottom view



## Bottom view

