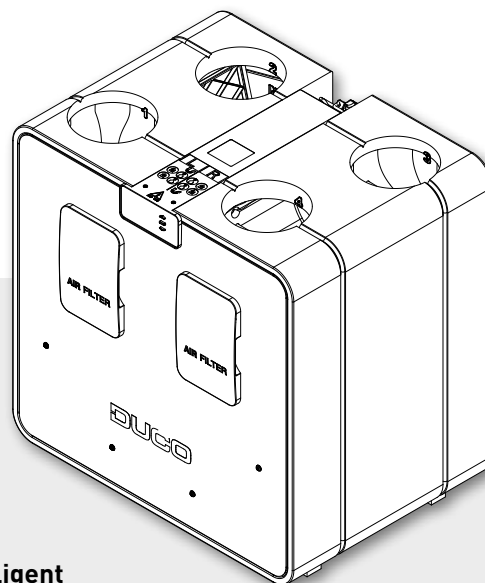


TECHNICAL DATA SHEET

DucoBox Energy Comfort 325 (UK)



The DucoBox Energy Comfort 325 (UK) is a **mechanical ventilation unit with heat recovery**. It is a compact and lightweight version of the DucoBox Energy Premium. With a capacity of up to 325 m³/h, this is the ideal balanced ventilation solution for apartments and serial housing construction.

The demand control of the DucoBox Energy Comfort results in **intelligent and energy-efficient operation**. Together with the smart demand control based on CO₂ and humidity, the dynamic air distribution filters ensure exceptional efficiency within this compact unit.

The left/right exchange is 100% software-based thanks to the patented principle of the double bypass.

Moreover, this lightweight unit weighs just 21 kg. In other words: **easy to install by 1 person**. **Automatic calibration** ensures quick and high-quality installation of the unit.

Versions

Type	Supply and extraction capacity at 150 Pa	2-zone system	Frost protection	Item number
DucoBox Energy Comfort 325 (UK)	325 m ³ /h	no	imbalance or external heater (optional)	0000-4591

Physical characteristics

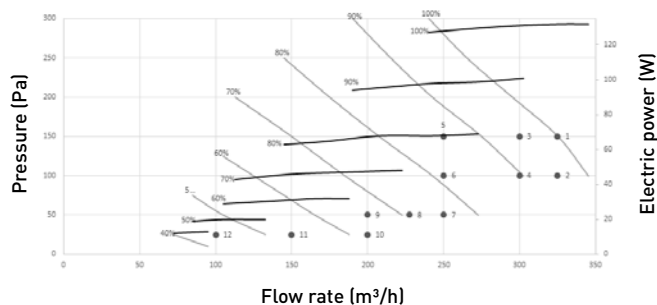
Width x Height x Depth (mm)	700 x 705 x 525
Casing	Coated sheet steel + EPP
Colours	White + black
Connections	Inner diameter: ø 160 mm
Condensate drain	Ø 32 mm (1 ¼") (2x)
Heat exchanger	PET / Polystyrene
Material of inside section	EPP / PP / ABS
Weight	21 kg
Power cable length	2 m (from top of unit)
Fitting	Wall mounting (standard) Floor mounting as an option using a support frame

Electrical characteristics

Maximum power at 50 Pa	111,5 W
Power supply	230 V, 50 Hz via 3-core power cable with earthed plug
Contacts	0-10 V in/output
Type of motor	DC
IP class	IP40
Energy conversion efficiency	91,1 % (EN 13141-7)

Miscellaneous characteristics

Energy class	With 2 sensors (control factor 0.65): A+ Other: A
Filters	Dynamic airflow filter supply air (460 x 185 x 15 mm) Standard: ISO 16890 Coarse 65 % (= G4) Optional: ISO 16890 ePM1 55% (= F7) Dynamic airflow filter exhaust air (460 x 185 x 15 mm) Standard: ISO 16890 Coarse 65 % (= G4)
Summer by-pass	Fully (100% modulating)
Frost protection	Imbalance or external heater
Fans	EC fan with backward curved blades
Automatic calibration	Yes (constant pressure)
Installer App	Via Duco Connectivity Board (if permanently mounted) Via Duco Installation Kit (mobile application)
Passive cooling	Automatic passive cooling control
Operation	Integrated display Use via remote controls and CO ₂ or Humidity Sensors
Sensors	Integrated: pressure, temperature, onboard switch sensor External: CO ₂ (via optional Room sensor), Humidity (via optional Room sensor or measurement in ETA duct), external Switch Sensor (voltage-free input) (optional)
Communication	Standard: Duco RF, Duco Wired, Switch Sensor Expandable with Duco Connectivity Board: Modbus TCP (local or via the cloud), REST API (local or via the cloud) - both via Ethernet or Wi-Fi



Measurement #	Flow rate Qv m³/h	Pressure Pa	Absorbed power P W	SFP Wh/m³	Sound level LwA*		
					Emission from casing dB	Supply dB	Extraction dB
1	325	150	131	0,40	69	58,5	63
2	325	100	115	0,35	69	59	62
3	300	150	113	0,38	67,5	57,5	62
4	300	100	96	0,32	66,5	56	61
5	250	150	82	0,33	65	55	60
6	250	100	71	0,28	63,5	54,5	58,5
7	250	50	59	0,24	62,5	53	56
8	227,5	50	49	0,22	60	49	55
9	200	50	40	0,20	58,5	50	53
10	200	25	35	0,18	57,5	48,5	51,5
11	150	25	23	0,15	52	41,5	47
12	100	25	15	0,15	47,5	39,5	42

* Emission from casing measured in accordance with ISO 3741:2010
Supply and extraction noise level in accordance with ISO 5135:1997 (with duct correction)

Systems with rigid ductwork only SAP 2005 results

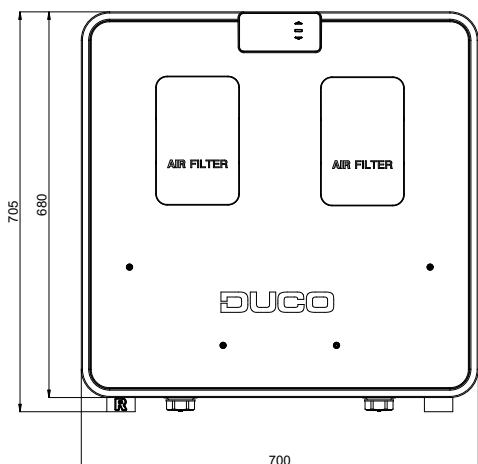
Exhaust terminal configuration	Specific power of fan (W/l/s)	Heat exchange efficiency (%)
Kitchen + 1 additional wet room	0,62	91
Kitchen + 2 additional wet rooms	0,55	91
Kitchen + 3 additional wet rooms	0,54	91
Kitchen + 4 additional wet rooms	0,59	91
Kitchen + 5 additional wet rooms	0,65	90
Kitchen + 6 additional wet rooms	0,74	90
Kitchen + 7 additional wet rooms	0,85	90

Systems with rigid ductwork only SAP 2012 results

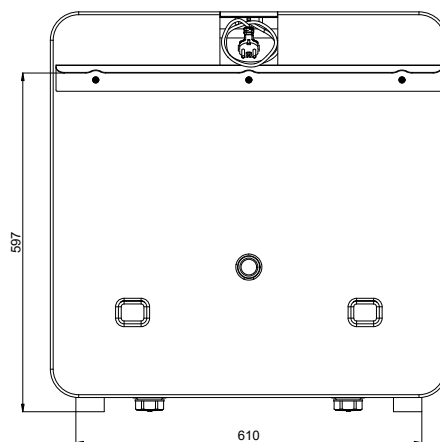
Exhaust terminal configuration	Specific power of fan (W/l/s)	Heat exchange efficiency (%)
Kitchen + 1 additional wet room	0,59	91
Kitchen + 2 additional wet rooms	0,59	91
Kitchen + 3 additional wet rooms	0,63	91
Kitchen + 4 additional wet rooms	0,77	90
Kitchen + 5 additional wet rooms	0,89	90
Kitchen + 6 additional wet rooms	1,07	90
Kitchen + 7 additional wet rooms	1,30	90

Dimensions of DucoBox Energy Comfort 325

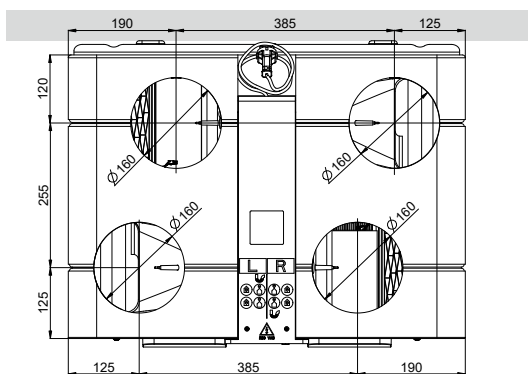
Front view



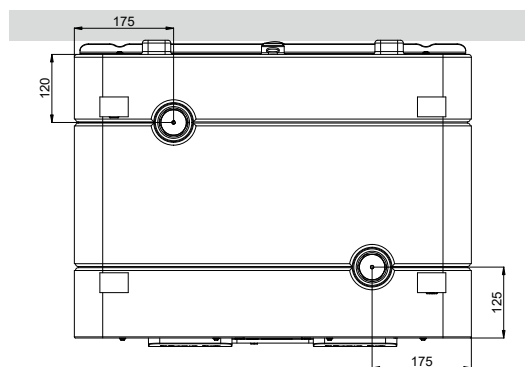
Rear view



Top view



Bottom view



Optional accessories

Product	Item number
Siphon flat (Energy)	0000-4376
Duco Connectivity Board	0000-4810
Humidity Sensor (DucoBox Energy Comfort (Plus))	0000-4723
Mounting chair standing (Energy Comfort D325)	0000-4546
Filter set 2 x Coarse 65 % (Energy Comfort D225/325)	0000-4547
Pre-Heater UK	0000-4825

Side view

