

INNOVATION IN TOP VENTILATION

TopVent BE SR UK - **Sky**Vent BE SR UK



attenuation
up to 43 dB
in open position

Highest class of
wind- and watertightness



TopVent BE SR UK
Compact & aesthetic



SkyVent BE SR UK
For high-rise buildings
up to 70 m!

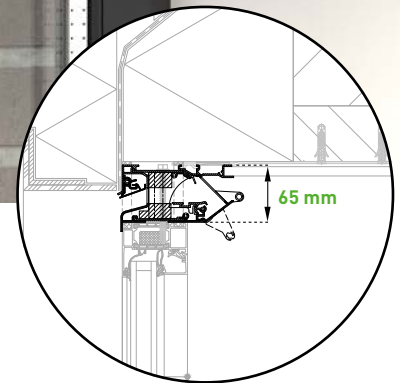
DUCO

We inspire at www.duco.eu



TopVent BE SR UK

Compact & aesthetic



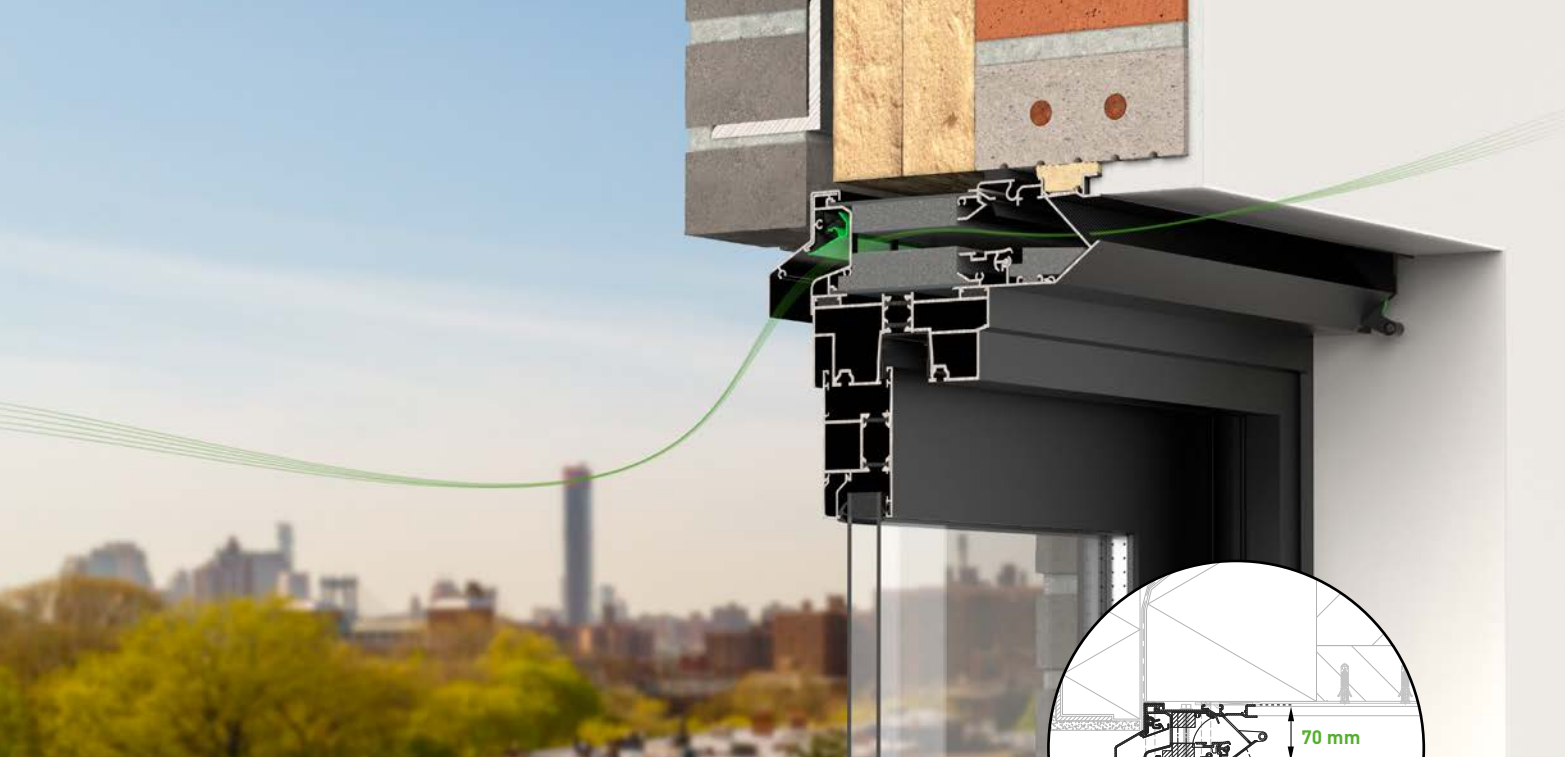
'Invisible' mounting
on the transom

With the **TopVent** range, DUCO puts energy efficiency and acoustic and thermal comfort first. The aesthetic appearance of the grille is enhanced by the **invisible punching**. The upward airflow guarantees a healthy and comfortable indoor climate. The grille guarantees quick assembly, high stability on the window and the **highest airtightness class**. The top is transparent and fitted with pre-drilled fibreglass-reinforced ties. The anchor channel at the top provides a rapid and secure fixing to the solid structure.

- Optimum aesthetics thanks to **'invisible' punching**
- Suitable for fitting on **any window section**: depths from 60 to 215 mm
- Only **60 mm grille height**
- **Plastic thermal bridge** top and bottom



up to
40 m



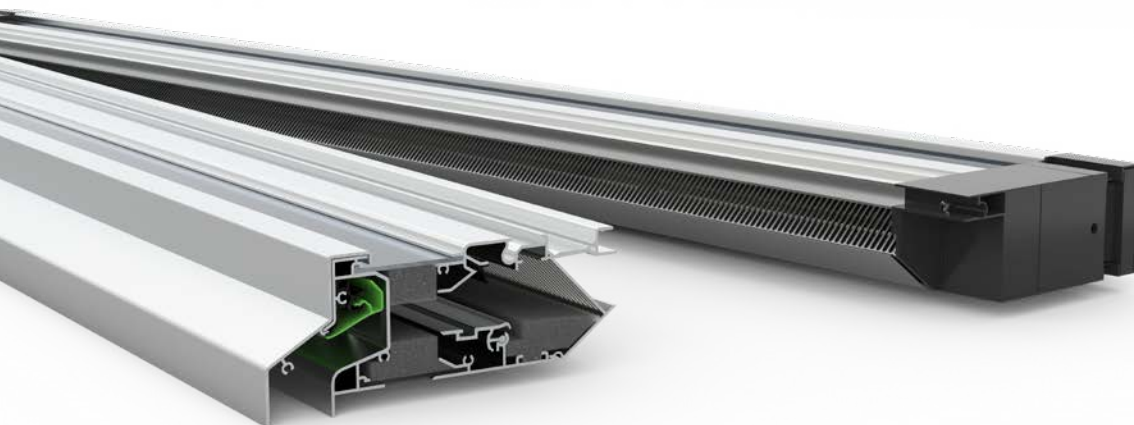
SkyVent BE SR UK

For high-rise buildings up to 70 m!

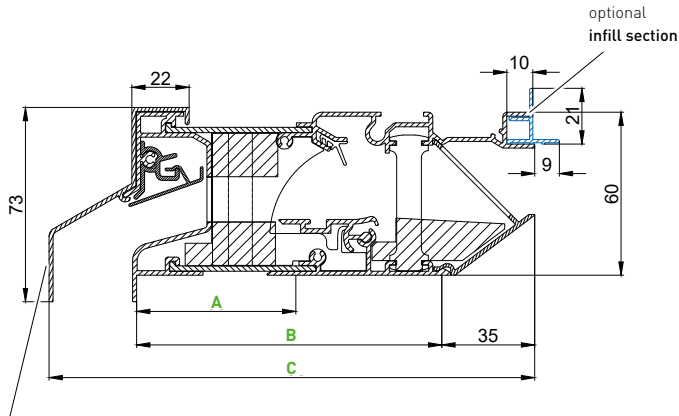
'Invisible' mounting
on the transom

In the **SkyVent**, an aluminium outer section has been provided for maximum wind and water resistance. Ideal for use in high-rise buildings up to a height of **70 metres**.

- For high-rise buildings: **up to 70m high!**
- **High performance** ventilation
- Aesthetic outer cover
- **Highest class of** wind- and watertightness



up to
70 m



Outer cap for SkyVent BE version

TopVent BE Medio AK

FITTING DEPTHS

Version	Dimensions (see drawing)		
	A	B	C
Corto	60	85	125
Medio	60	115	155
Alto	110*	165	205
Largo	160*	215	255

* Also applicable from 60 mm with extended bottom profile.

→ Ventilation values

Type TopVent BE SR UK SkyVent BE SR UK	AirFlow (in m ³ /h/m)				EA (in mm ² /m)	Free Air (in mm ² /m)
	at 1 Pa	at 2 Pa	at 10 Pa	at 20 Pa	at 1 Pa	
AK EA 5000	14,4	21,3	25,9	25,9	5087	17000
AK EA 7500	21,2	31,4	38,2	38,2	7504	
AK EA 10000	28,4	42,1	51,2	51,1	10048	

* To NBN EN ISO 717

→ Acoustic values

Type TopVent BE SR UK SkyVent BE SR UK	D _{n,e} W (C;C _{tr}) [*] (open position) in dB				D _{n,e} W (C;C _{tr}) [*] (closed position) in dB			
	Corto	Medio	Alto	Largo	Corto	Medio	Alto	Largo
AK EA 5000	38 (0;-1)	40 (-1;-2)	41 (-1;-2)	43 (0;-2)	53 (0;-2)	52 (-1;-3)	54 (-1;-4)	58 (-1;-4)
AK EA 7500	36 (0;-1)	38 (-1;-2)	40 (-1;-2)	41 (-1;-2)	52 (0;-2)	52 (-1;-3)	54 (-1;-3)	58 (-1;-4)
AK EA 10000	35 (0;-1)	36 (0;-2)	38 (-1;-2)	39 (0;-2)	51 (0;-1)	52 (-1;-3)	54 (-1;-4)	58 (-1;-4)

* To NBN EN ISO 717

**FOR EVERY PROJECT
A SOLUTION!**

Discover our products in this brochure:



DUCO

We inspire at www.duco.eu