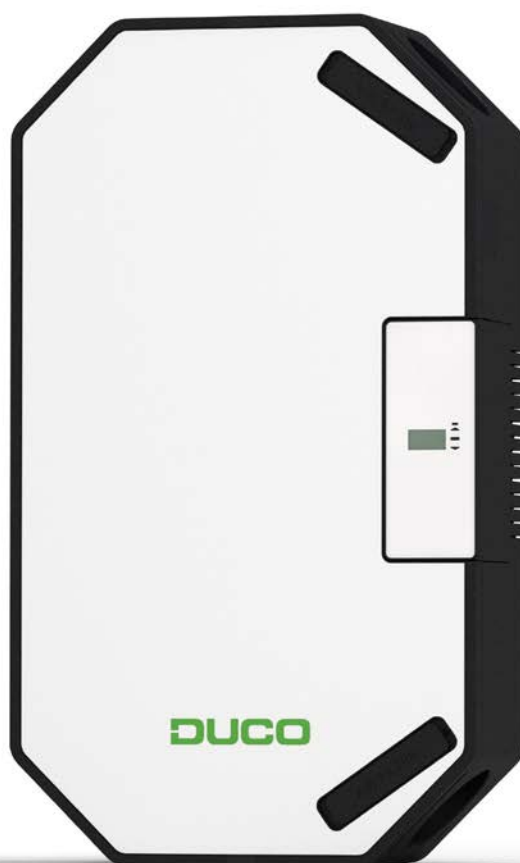


## Installation guide



## Table of contents

<b>01 Introduction</b> .....	<b>3</b>	<b>06 Commissioning</b> .....	<b>21</b>
01.A Versions.....	3	06.A DucoBox Energy Sky start-up.....	21
01.B Operation.....	3	<b>07 Electrical installation</b> .....	<b>24</b>
01.C Dimensions.....	4	07.A Pairing components.....	24
<b>02 Regulations and safety instructions</b> .....	<b>5</b>	07.B Removing / replacing components.....	26
<b>03 Components and connections</b> .....	<b>6</b>	07.C Tips.....	26
03.A Parts.....	6	<b>08 Air-side calibration</b> .....	<b>27</b>
03.B Connections.....	7	08.A Presetting vents.....	27
<b>04 Wiring</b> .....	<b>9</b>	08.B Calibrating flow rates.....	28
04.A Wiring diagram.....	9	08.C Checking.....	29
04.B Opening control unit.....	9	08.D Copying calibration data in case of serial construction.....	29
04.C Closing control unit.....	10	<b>09 Display menu</b> .....	<b>30</b>
04.D Mounting external power supply.....	10	09.A Display overview and operation.....	30
04.E Connecting cables to the PCB.....	10	09.B Change ventilation position.....	31
04.F Options power supply.....	11	09.C Settings for the resident.....	31
04.G RF (wireless communication).....	11	09.D Advanced settings.....	33
04.H Wired (cabled communication).....	12	09.E Menu structure.....	34
04.I Modbus TCP/IP.....	12	<b>10 Maintenance &amp; service</b> .....	<b>35</b>
<b>05 Mounting</b> .....	<b>13</b>	<b>11 Warranty</b> .....	<b>37</b>
05.A General guidelines.....	13	<b>12 Legislation</b> .....	<b>37</b>
05.B Mounting DucoBox Energy Sky.....	14		
05.C Humidity Sensor (optional).....	17		
05.D Air ducts.....	17		
05.E External multi-zone valves (optional).....	19		
05.F Vents.....	20		

### Translation of the original instructions

See [www.duco.eu](http://www.duco.eu) for information regarding warranty, maintenance, technical data, etc.

Installation, connection, maintenance and repairs are to be carried out by an accredited installer. The electronic components of this product may be live. Avoid contact with water.



Vero DUCO - Handelsstraat 19 - 8630 Veurne - Belgium  
tel +32 58 33 00 33 - [info@duco.eu](mailto:info@duco.eu) - [www.duco.eu](http://www.duco.eu)

**DUCO**

# 01 Introduction

The DucoBox Energy Sky is a mechanical ventilation unit with heat recovery. It supplies fresh air mechanically to and extracts contaminated air mechanically from the house by means of built in fans. During this process, the heat is recovered from the exhaust air and transferred to the outdoor air.

The DucoBox Energy Sky is a functional product and requires to be fitted by a professional installer.

A mechanical ventilation unit with heat recovery consists of:

- The unit
- Duct system for the intake of outdoor air
- Duct system for the extraction of stale air to the outside
- Duct system for supplying fresh preheated air indoors
- Duct system for the extraction of stale indoor air to the unit
- Supply vents/grilles to supply the preheated air into dry rooms<sup>1</sup>.
- Exhaust vents/grilles to extract the stale air from wet rooms<sup>2</sup>.

1. Dry rooms: living rooms, bedrooms, etc.  
2. Wet rooms: kitchen, bathroom, toilet, etc.

## Scope of supply

Before starting to install the heat recovery unit, check to ensure it is complete and undamaged. The scope of supply of the heat recovery unit type DucoBox Energy Sky includes the following components:

- DucoBox Energy Sky
- 4 x Mounting brackets + 8 x self-tapping screws for mounting to the unit
- Set of mounting materials ( 4 x universal wall plug, 4x M8 stud screw, 4x M8 self-locking nut)
- 2 x Cap + 1 x condensate drain connection D32 + 3 x EPDM sealing ring
- Quick installation manual
- User manual
- 2 x DucoBox Energy Sky Filter ISO 16890 Coarse 65 % (= G4)

## 01.A Versions

### Unit

Product	Article number
DucoBox Energy Sky D275	0000-4939

### Optional accessories

Product	Article number
Siphon flat (Energy)	0000-4376
Duco Connectivity Board	0000-4945
Humidity Box Sensor Energy	0000-4723
Multi-zone valve DucoBox Energy Sensorless D125	0000-4761
Multi-zone valve DucoBox Energy Sensorless D160	0000-4760
Connection piece with joint D160/D160 (M/M)	0000-4724
Connection piece with joint D180/D160 (M/M)	0000-4725
Connection piece 45° with joint D160/D160 (M/M)	0000-4949

## 01.B Operation

### Bypass

The bypass ensures, should it be necessary, that there is no heat transfer between the exhaust and outdoor air. This means that the house cools down in a controlled and gradual manner. This function is active mainly in the summer. The bypass opens if the indoor temperature rises above the set comfort temperature (**set to 21.5 °C by default**) and the outdoor temperature **is above 10 °C**.

As the comfort temperature in the sleep zone and the day zone can be different, it is possible to define different comfort temperatures in zone-controlled systems, e.g.: 21.5° for the day zone and 18° for the night zone.

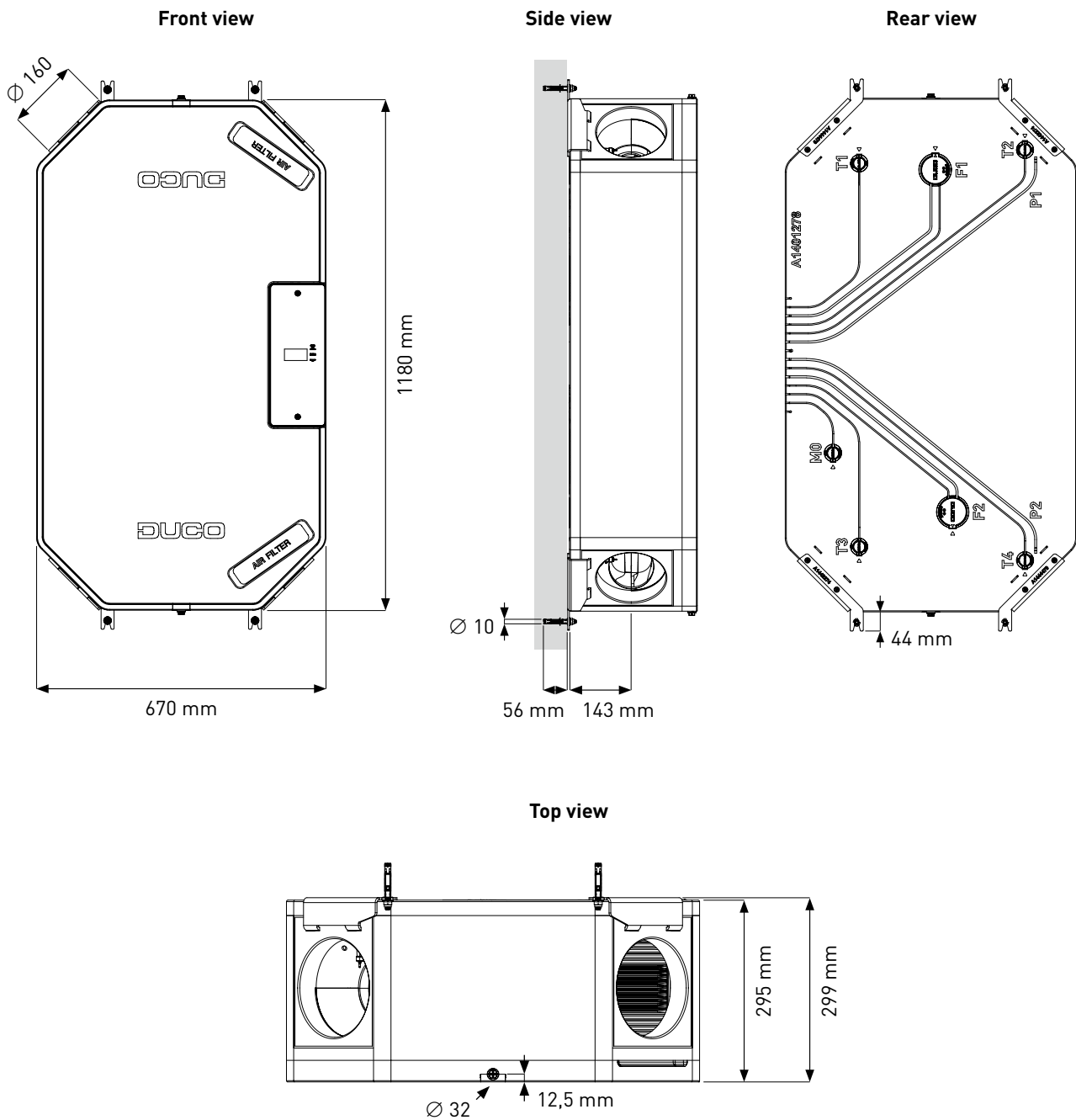
## Frost protection

To protect and keep the unit operating properly at very low outdoor temperatures, it is equipped with frost protection as standard. The supply flow rate is slowed down gradually so that more warm air passes over the heat exchanger. This prevents the heat exchanger from freezing up. If the imbalance is insufficient to prevent it from freezing up, then the unit will be temporarily switched off.

## Constant Flow

The unit features constant flow regulation. This ensures that the air flow rate between the supply and extract side remains constant when the filters become dirty.

### 01.C Dimensions





# 02 Regulations and safety instructions



The installer is responsible for installing and commissioning the unit.



**Do not install this product in areas where the following are present or could occur:**

- **Excessively greasy atmosphere.**
- **Corrosive or flammable gases, fluids or fumes (such as ammonia, chlorine, hydrogen chloride / boride, nitrogen dioxide ...).**
- **Room air temperature above 40 °C or below -5 °C.**
- **Relative humidity higher than 90% or outdoors.**
- **Obstacles that prevent access to or the removal of the fan unit.**
- **Bends in the ducts immediately upstream of the fan unit.**
- **The DucoBox Energy Sky must not be connected to a (motorless) extractor hood or tumble dryer.**

Take care to ensure that the electrical power supply is a 230 V, single-phase earthed, 50/60 Hz, AC system. The device must be connected to an earthed and fused wall socket. Secure the unit, preferably in an enclosed space, using the correct screws and mounting bracket, to a wall or ceiling with sufficient load-bearing capacity. The fan unit can only be used with the appropriate DUCO accessories and user controller(s). The installer must ensure that the fan unit is positioned at least 3 m away from a chimney pipe. The unit must not be used in locations where it could be subjected to direct water spraying. Certain situations may require the use of acoustic insulation materials. Check that the unit is complete and undamaged when you take it out of the packaging. If in doubt about this, contact DUCO / your DUCO distribution point.

Electrical equipment should be handled with care.

- Never touch the unit with wet hands.
- Never touch the device when barefoot.

Do not use the unit in the presence of flammable or volatile substances such as alcohol, insecticides, petrol etc. Make sure that the electrical system to which the unit is connected, complies with the stipulated conditions. Do not expose the device to weather conditions. Do not place any objects on the unit. Do not use the unit as an extractor for water heaters, heating systems, etc. Ensure that the unit discharges into a single exhaust duct that is suitable and installed for the purpose and exhausts to the outside. Ensure that the electrical circuit is not damaged. Replace both filters in the unit every 6 months at most; this ensures that the unit is always protected against contamination and that the air being drawn in is always healthy. Always adhere to the safety instructions in the manual when installing the device. Failure to adhere to these safety instructions, warnings, notes and instructions could result in damage to the DucoBox Energy Sky or in personal injury for which DUCO NV cannot be held liable. The DucoBox Energy Sky requires to be installed in accordance with the general and locally applicable construction, safety and installation regulations of municipal and other authorities. Only an accredited installer is permitted to install, connect and commission the DucoBox Energy Sky, as described in this manual. Keep the manual close to your unit. Maintenance instructions must be followed closely in order to avoid damage and/or wear. It is recommended that a maintenance contract be taken out to ensure the unit is regularly inspected and cleaned. The device must be fitted in a touch-safe manner.

This means, among other things, that under normal operating conditions no-one can reach moving or electrically live parts of the fan without intending to do so for operations such as:

- Taking off the lid.
- Taking the motor module out of the fan after removing the lid.
- Disconnecting a duct or control valve from the connection opening during normal operation.

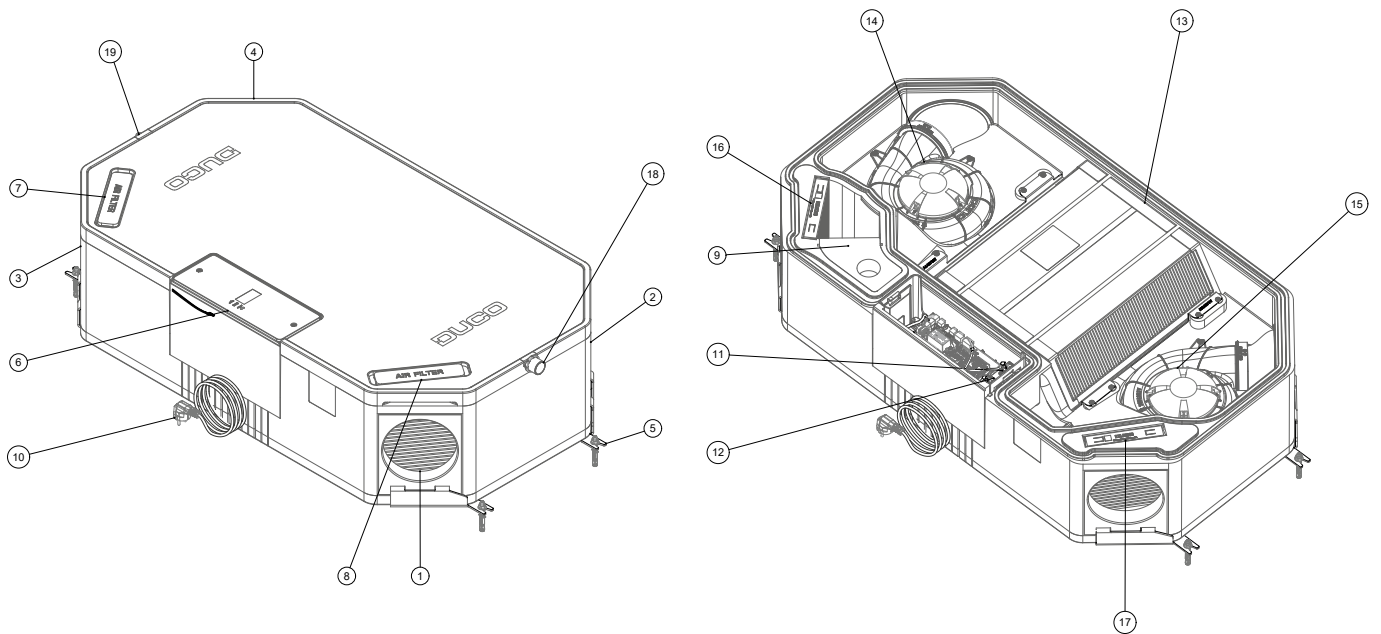
It ought to be impossible to touch the fan by hand. Ducting must therefore always be connected to the DucoBox Energy Sky before it is put into operation. Therefore, at least 900 mm of ducting must be connected to the unit. The DucoBox Energy Sky satisfies the legal requirements imposed on electrical equipment. Always ensure that before work begins, the device is isolated from the power supply by removing the power cord from the wall socket or by switching off the fuse. (Use a measuring instrument to check that this is actually the case!) Use suitable / appropriate tools to work on the unit. Use the unit only for applications for which it has been designed, as stated in this manual. The ventilation unit should operate permanently, i.e. the DucoBox Energy Sky must never be switched off (legal obligation). The electronic components of the ventilation unit may be live. In the event of a fault, contact a professional installer and have repairs carried out only by qualified personnel. This unit is not intended for use by people (including children) with reduced physical, sensory or mental capabilities, or who lack experience of know-how, unless they are supervised or have been given instructions on the use of the unit by a person who is responsible for their safety. Children must be supervised to ensure that they do not play with the unit. If the power cord is damaged, it must be replaced by the manufacturer, after-sales support or individuals with comparable qualifications in order to prevent any hazard. The user is responsible for safely removing the ventilation unit at the end of its service life, in accordance with locally applicable laws or regulations. You can also take the unit to a collection point for used electrical equipment. The unit is only suitable for housing construction and not for industrial use, such as swimming pools and saunas. When handling electronics, always take ESD<sup>1</sup> inhibiting measures, such as wearing a grounded wristband. Modifications to the unit or to specifications stated in this document are not permitted. Do not pull on the cord to remove the plug from the socket. Always refer to the installer of your combustion appliance to establish whether there is a risk of flue gas ingress into the dwelling. Check that the voltage shown on the type plate matches the local mains voltage before connecting the device. You will find the type plate on the top of the unit.

1 ESD = electrostatic discharge

# 03 Components and connections

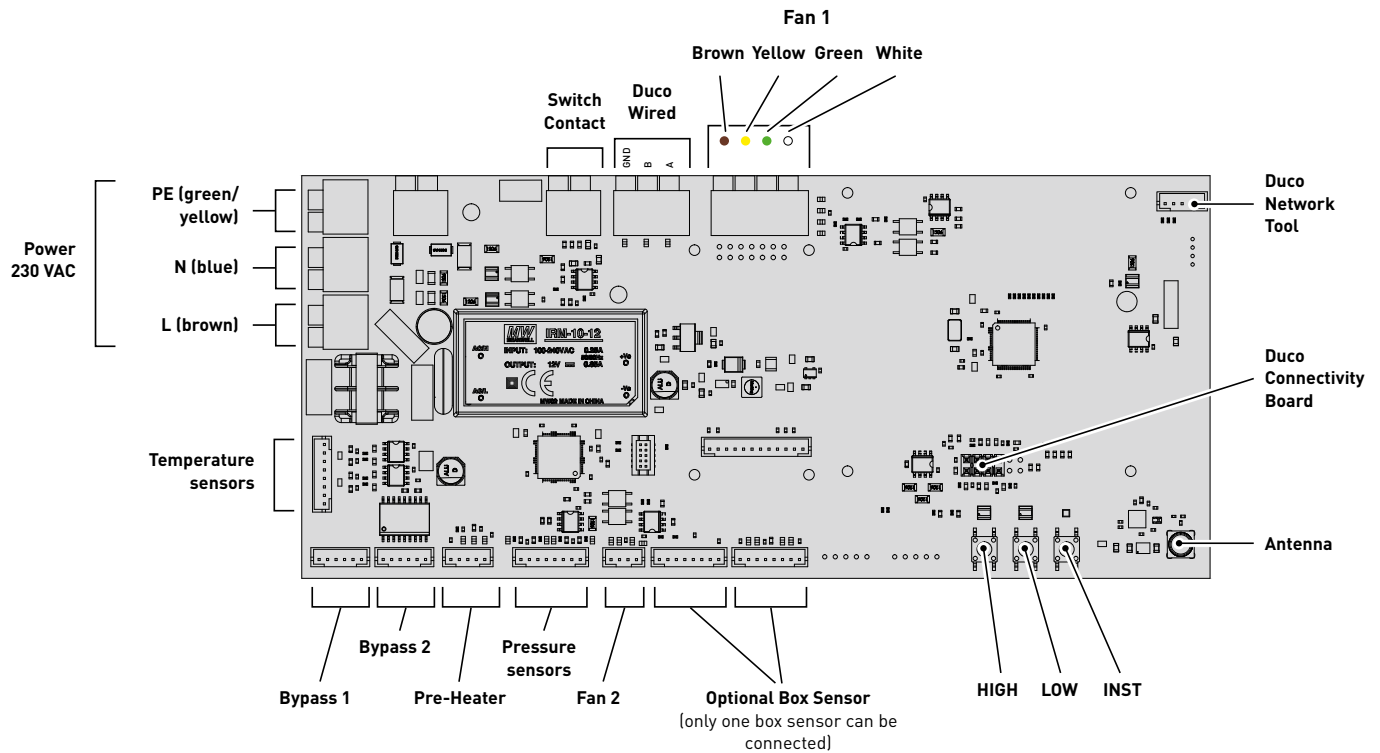
## 03.A Parts

- ① Air duct connections
- ② Air duct connections
- ③ Air duct connections
- ④ Air duct connections
- ⑤ Wall bracket
- ⑥ Control unit with integrated operation
- ⑦ Air filter cover
- ⑧ Air filter cover
- ⑨ Bypass (valve)
- ⑩ Power cable 230 VAC
- ⑪ Pressure sensor
- ⑫ Pressure sensor
- ⑬ Heat exchanger
- ⑭ Fan
- ⑮ Fan
- ⑯ Air filter Coarse 65% (= G4)
- ⑰ Air filter Coarse 65% (= G4)
- ⑱ Condensate drain connection
- ⑲ Condensate drain connection



## 03.B Connections

### DucoBox Energy Sky printed circuit board (PCB)



### Duco Connectivity Board

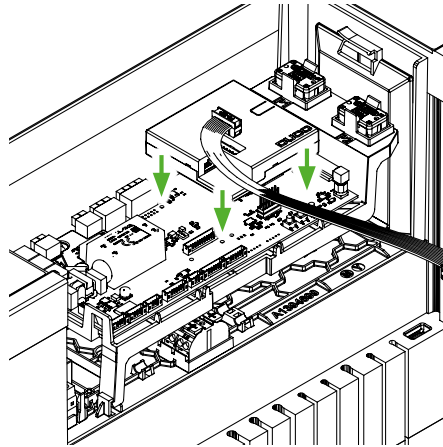
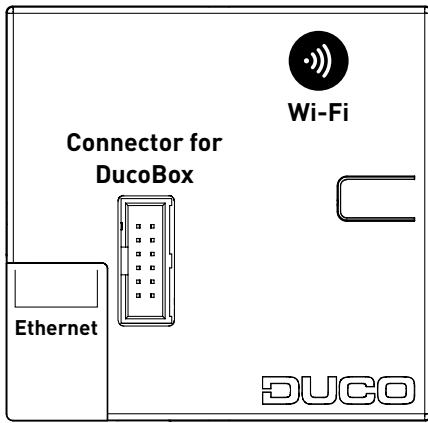
The optional circuit board allows linking towards home automation and building management systems via REST API (locally or via the cloud) or Modbus TCP (locally). Both are possible via Ethernet or Wi-Fi.



**The Duco Connectivity Board also enables the Duco Installation App to be used. This application supports - and relieves - installers to control and maintain a ventilation system in a user-friendly way. For units where no permanent Duco Connectivity Board is provided, connection to the Duco Installation App is possible via an Installation Kit.**

## Permanent connectivity (from Q1/2025)

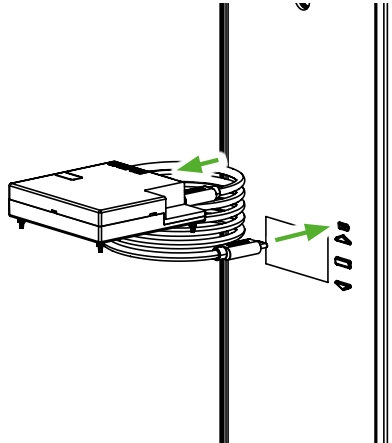
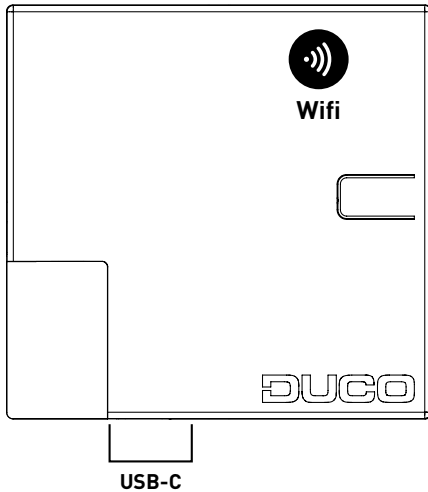
Refer to the Connectivity Board manual or scan the QR code for the video instructions for detailed instructions.



Video instructions  
[www.duco.tv](http://www.duco.tv)

## Duco Installation Kit

Refer to the Duco Installation Kit manual or scan the QR code for the video instructions for detailed instructions.

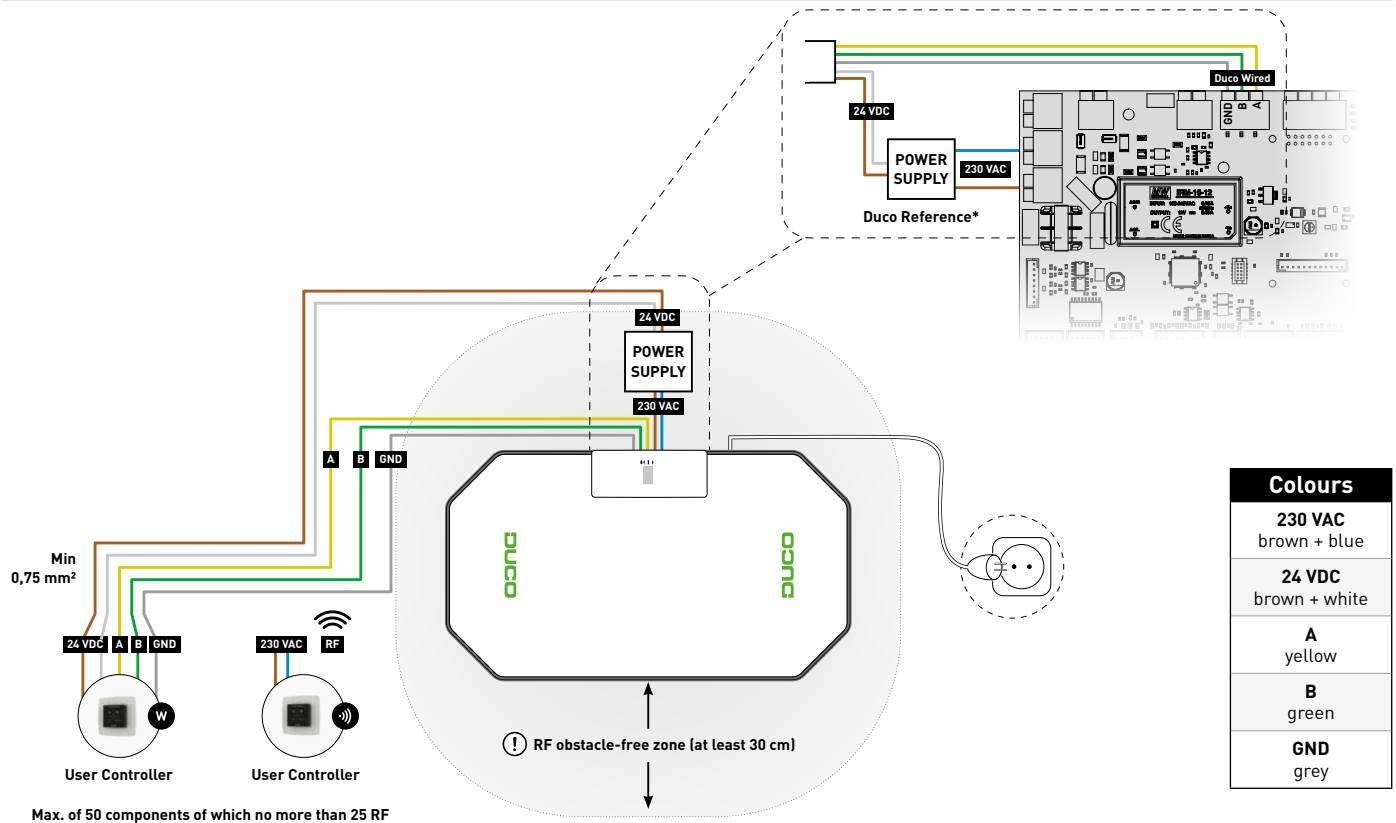


Video instructions  
[www.duco.tv](http://www.duco.tv)

# 04 Wiring

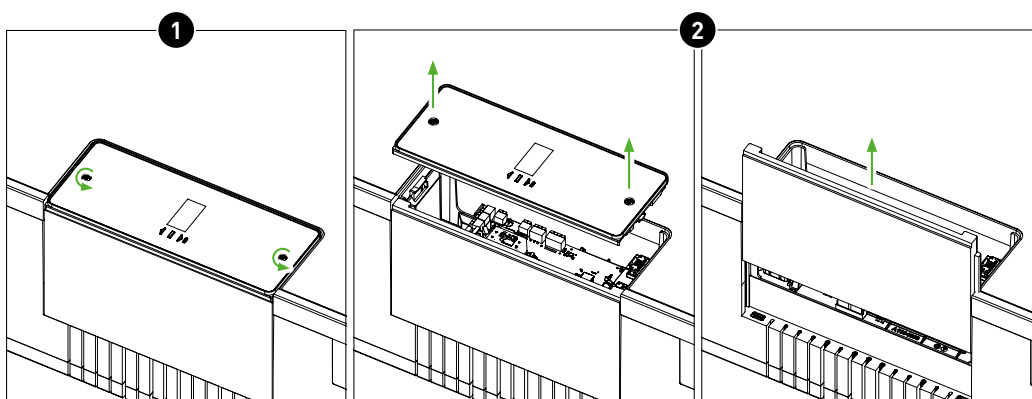
The DucoBox Energy Sky is able to communicate with components via a wireless (RF) or cabled (Wired) connection. Both types of communication can be combined in one system. Communication with non-DUCO components is possible via the switch sensor.

## 04.A Wiring diagram



\* Connecting a Power Supply to the DucoBox's 230 VAC connection can only be done with a Power Supply tested and approved by DUCO. Any references other than those offered by DUCO will void the guarantee of proper operation.

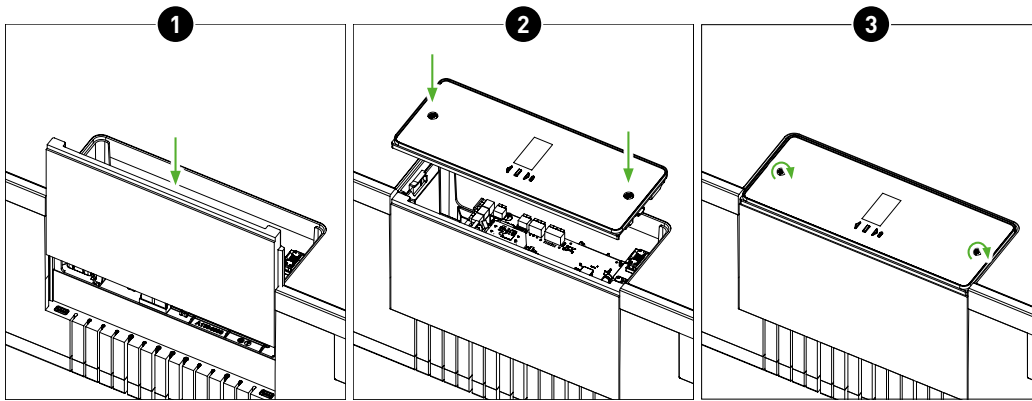
## 04.B Opening control unit



1 Loosen the locks a quarter turn (counterclockwise).

2 Remove the control unit display and sliding cover.

## 04.C Closing control unit

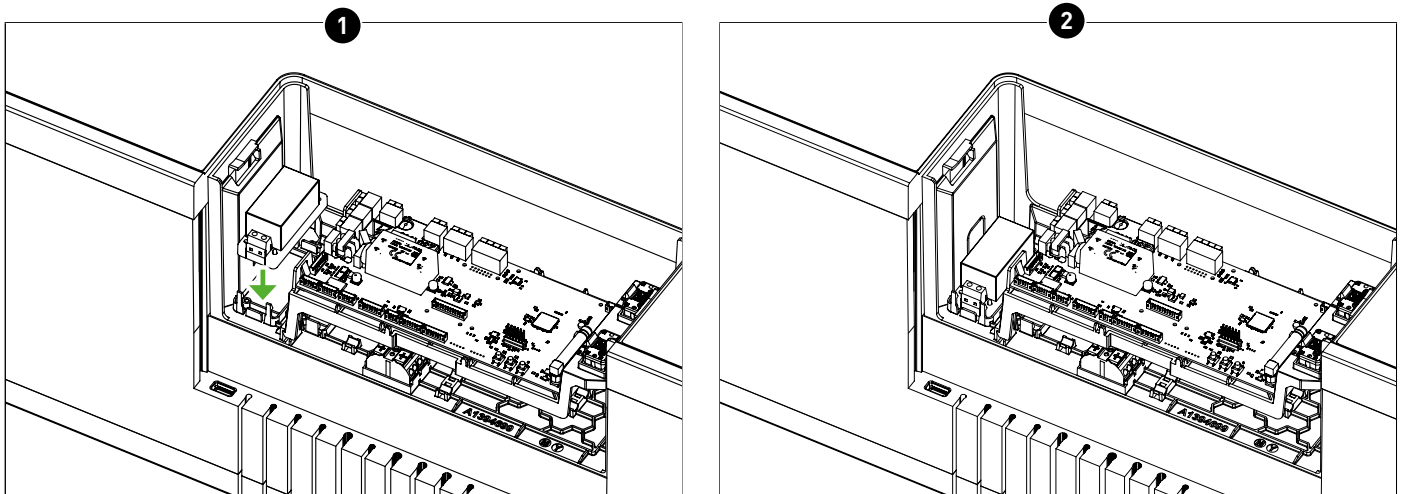


Slide the sliding cover back until it is fully retracted.

Mount the control unit display.

Tighten the locks a quarter turn (clockwise).

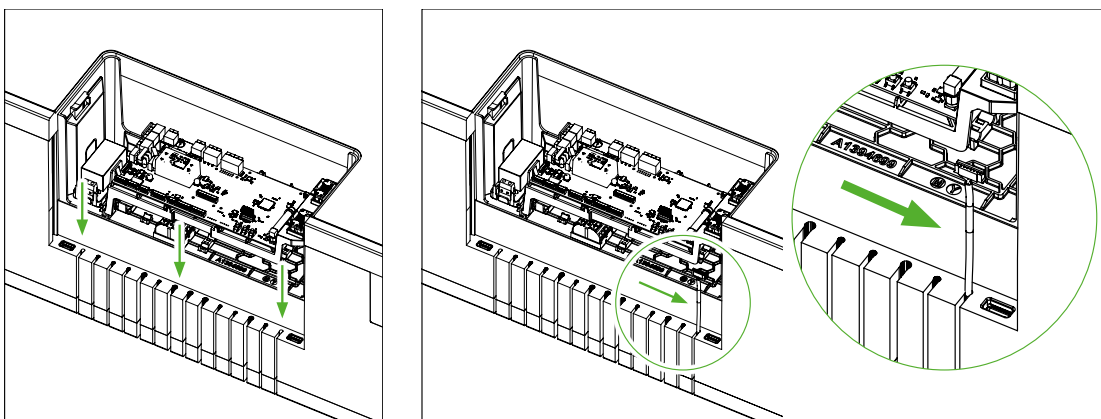
## 04.D Mounting external power supply



Remove the transformer from the junction box and place it directly in the provided location behind the printed circuit board

Mounted transformer

## 04.E Connecting cables to the PCB



Guide the cables into the slots provided to connect them according to the wiring diagram above.

## 04.F Options power supply

For power supply, DUCO offers two options:

DESCRIPTION	ARTICLE NUMBER
Power supply 230VAC-24VDC/20W + casing	0000-4763
Duco Wired power adapter 230VAC-24VDC/20W	0000-4762

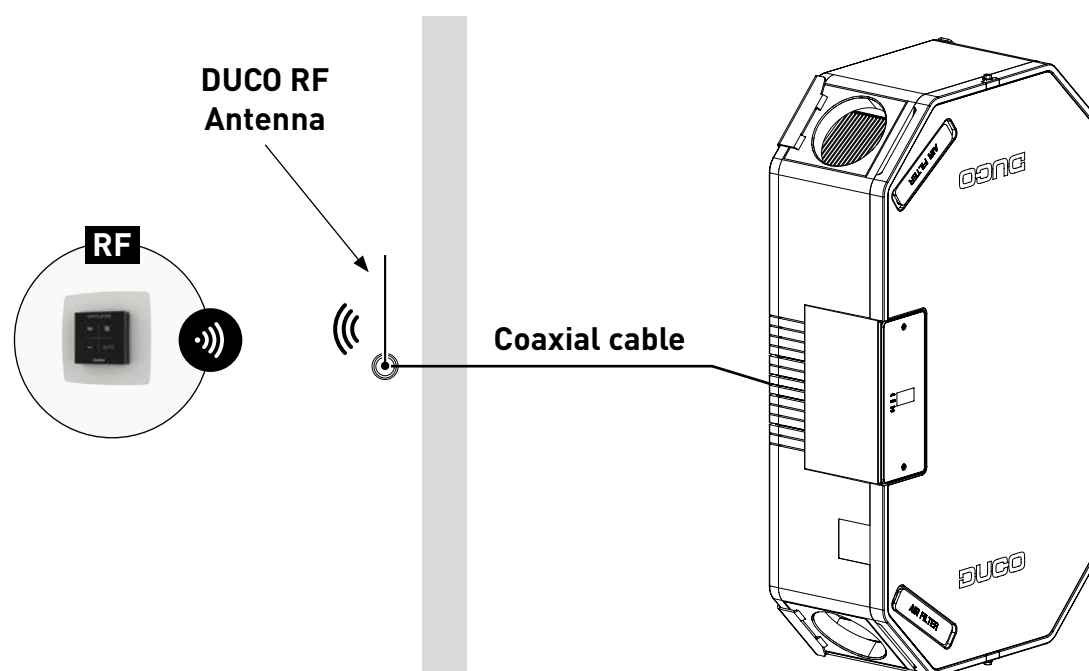
## 04.G RF (wireless communication)

RF components have a maximum free-field range of 350 metres. This distance will be much less in a building because of obstacles. Therefore, you will need to take objects such as walls, concrete and metal into account. All components (except those which are battery powered) also act as repeaters. Signals from components that are unable to make a (strong) connection with the controller are forwarded automatically via no more than one other non-battery-powered component (= hop). Please refer to information sheet RF communication (L8000018) at [www.duco.eu](http://www.duco.eu) for further information.

DUCO RF	
Power Supply	230 VAC
Wiring	1,5 mm <sup>2</sup>
Frequency	868,3 MHz
Maximum distance	350 m, free field (less through obstacles)
Maximum number of components	Up to 25 wireless components in a single system

If communication between the ventilation unit and the RF components is not feasible, a 'Wired' communication can be chosen, or the antenna for RF reception can be moved (e.g. to a more centrally located meter box) by using a Coaxial cable that is connected to the PCB of the DucoBox (see 'antenna' on the printed circuit board diagram on page 7).

DESCRIPTION	ARTICLE NUMBER
Set Coaxial cable 8 m	0000-4418



## 04.H **Wired (cabled communication)** W

Wired components can be daisy-chained (= recommended). This means that a separate cable will not be required for each component. A single central power supply can be used.

The cable required is a 0.75 mm<sup>2</sup> data cable. We strongly recommend using a shielded cable to avoid interfering with data communication.

<b>DUCO WIRED</b>	
Power Supply	24 VDC
Wiring	5 x 0,75 mm <sup>2</sup>
Maximum distance	up to 300 m
Maximum number of components	Up to 50 wired components in a single system

### 04.I **Modbus TCP/IP**

Communication with building management systems is possible, for reading out information as well as controlling the ventilation system. For this purpose, the DucoBox Energy Sky must be equipped with an optional Duco Connectivity Board. Consult the Modbus TCP/IP instructions at [www.duco.eu](http://www.duco.eu).



# 05 Mounting

## 05.A General guidelines

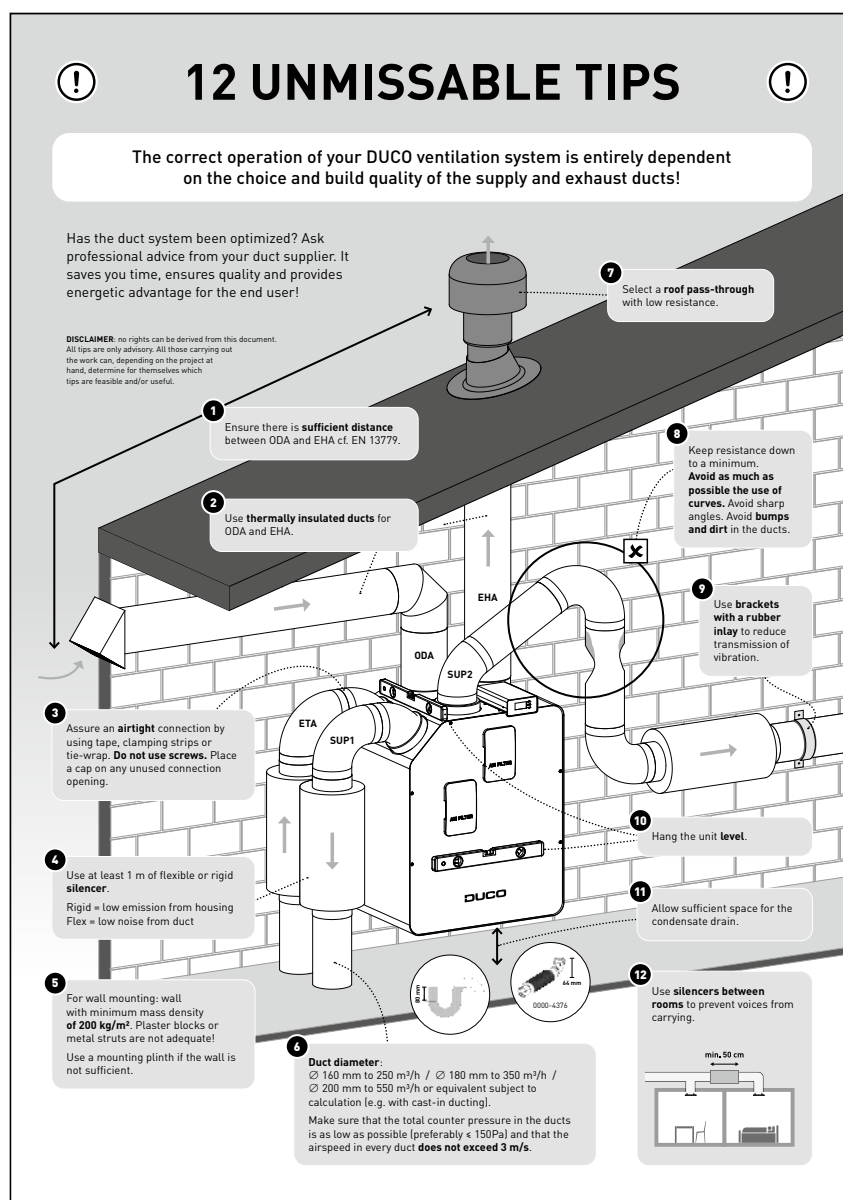
The proper functioning of your DUCO ventilation system depends entirely on the choice and implementation quality of the supply and exhaust ducts! Therefore, keep the following guidelines in mind when choosing the installation location.



**Before putting the unit into operation, it must first be connected to a duct network to prevent you from being able to touch the fan.**

- Always use high-grade materials and seals in order to achieve the best airtightness. The entire system is based on proper airtight connections and duct routing.
- The ductwork is to be installed with as few bends as possible and hence the least resistance. The system is based on a maximum resistance of 200 Pa. A higher resistance will reduce the capacity of the unit.
- Take care to ensure that the ducts are free from dents, long screws and extra obstructions on the inside. This is detrimental to proper maintenance and sustainable operation.
- The supply duct (fresh outdoor air) must be far enough away from a polluted source. This could be the exhaust duct, or an outlet duct of combustion air. Please refer to applicable local legislation (e.g. for BE: STS-P73-1 chapter 4.16.3; for NL: EN13779:2007 table A.2; for FR: DTU 68.3 P1-1-1 (6.5) + P1-1-4 (5.1.2) etc.)
- To achieve maximum acoustic comfort, DUCO recommends installing a silencer on the ducts going into the house. A silencer may also be needed in order to prevent voices from carrying from one room to another.
- Ducts connected with the outdoor air must be adequately insulated in order to prevent condensation. Any ducting in uninsulated unheated spaces also needs to be insulated.
- Always install the extract air duct on the house side (ETA) draining towards the unit in order to avoid any build-up of condensation in the duct. A great deal of moisture-laden air can be extracted during showering or cooking.
- It is better to choose the supply of outdoor air on the north side, to avoid drawing in too warm air inside during the summer months.
- Ensure that the air inlet is accessible for any cleaning that may be required. A smaller passage area can actually have a major negative impact on system performance.
- DUCO recommends installing a minimum of 40 cm length of straight ducting before deflecting the air flow on the intake side of the supply.

Also consult our "12 not-to-be-missed tips" for an overview with the most important points of interest.

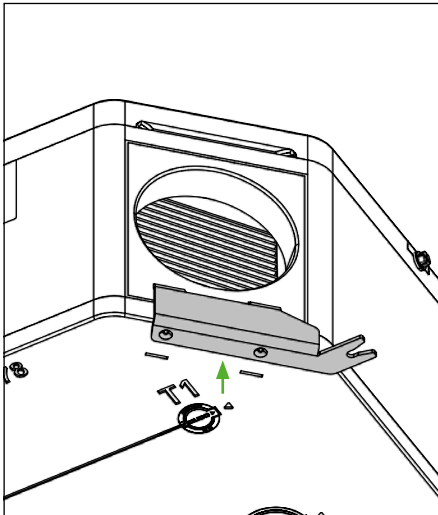
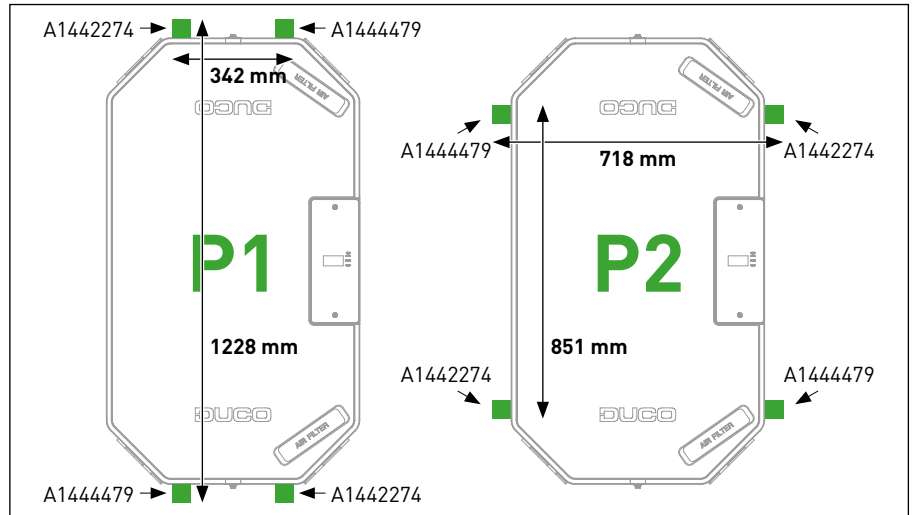
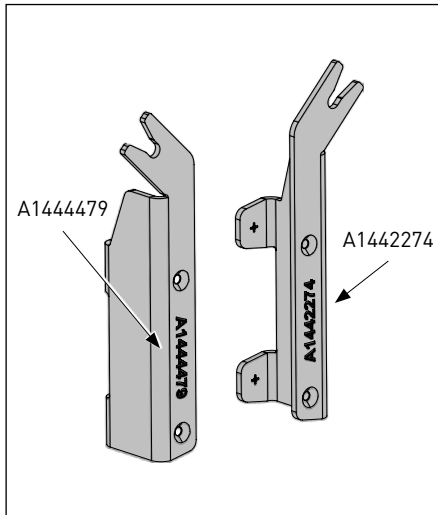


## 05.B Mounting DucoBox Energy Sky

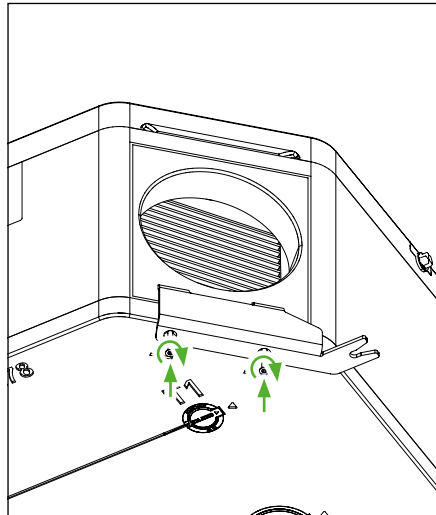


Keep **at least 60 to 100 cm** clear at the front of the DucoBox Energy Sky to allow maintenance of the unit.

DucoBox Energy Sky can be mounted in 2 ways. Either via 4 fixation points on the end side (P1) or via 4 fixation points on the long side (P2) of the unit. For wall mounting, only fixation on the end side is possible (P1). Position the mounting brackets (2x A1444479 and 2xA1442274) according to the overview below:



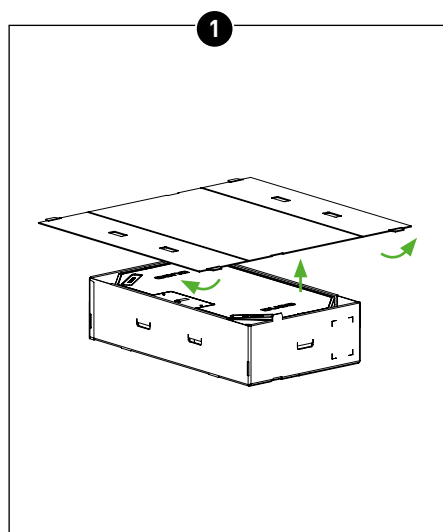
Slide the brackets over the sloping sides of the unit at the level of the base plate. Ensure that the clamps are fully inserted into the recesses and that the screw holes at the bottom align with the fixation points on the base plate.



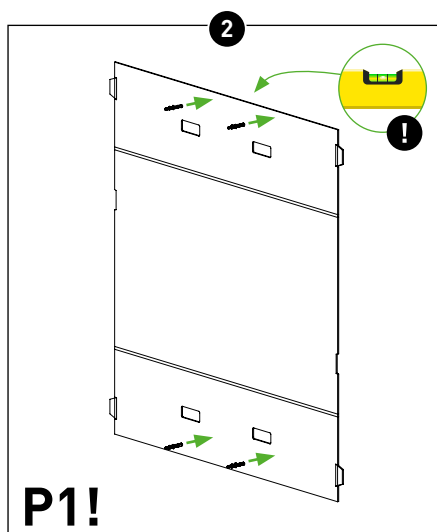
Screw the brackets to the base plate with the supplied screws.

## Wall mounting

The DucoBox Energy Sky can be fastened to a wall. Please note that only the fixation points on the end side (P1) can be used for this way of mounting.



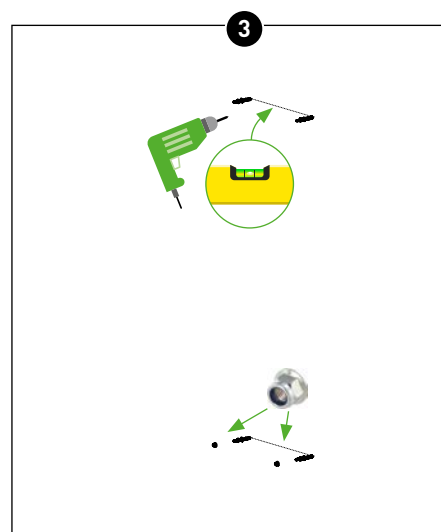
Unfold the lid of the packaging by folding open the sides. This creates a drill jig that can be used to mark or pre-drill the drill holes.



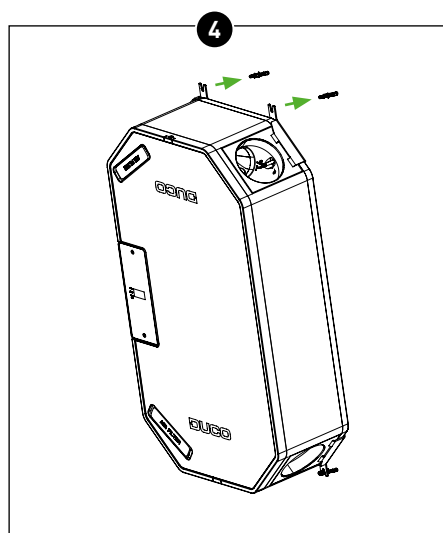
**P1!**

Hang the drill jig level and mark the fixation points.

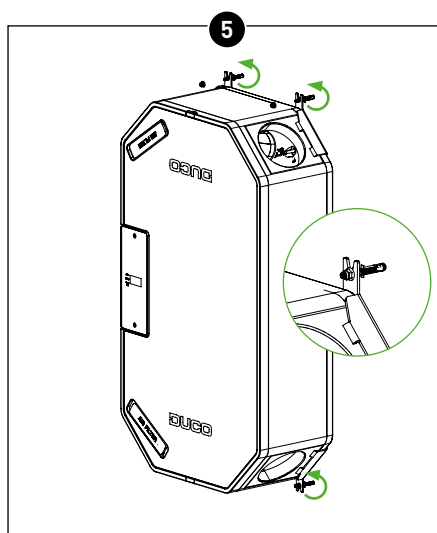
**ATTENTION: For wall mounting, only the P1 positioning of the brackets can be selected.**



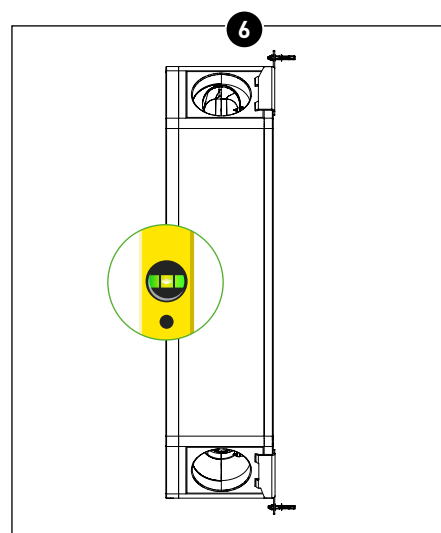
Use the supplied plugs or choose plugs that are suitable for the substrate and the weight of the unit (Max. 25 kg) if this would not be the case with the supplied plugs. Make the holes according to the markings and chosen plugs. Mount the plugs and the 4 stud screws (Hanger Bolt 4.6-SW6/TX25-(A2K)-M8x60). On the 2 lower fixation points, screw the nuts without tightening them completely.



First hook the unit with the mounting brackets over the lower fixation points and then tilt the unit against the wall so that the upper brackets fit over the fixation points.

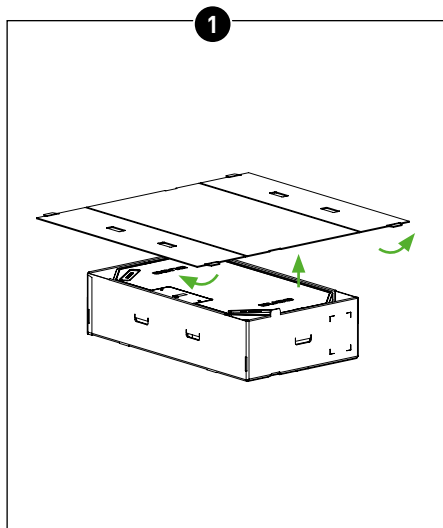


Secure the unit at the 2 upper points with the 2 remaining nuts. Secure everything by tightening all the nuts.

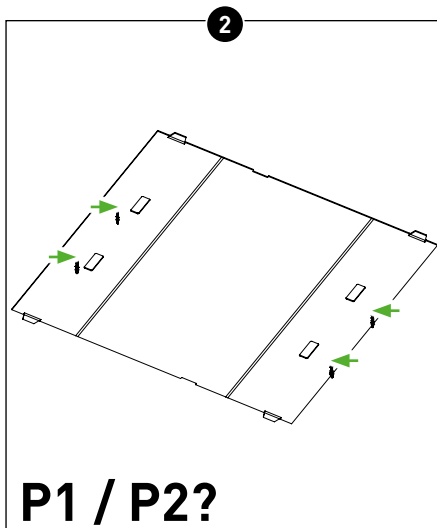


Check whether the unit is **plumb** against the wall. This will ensure that condensate drains off properly.

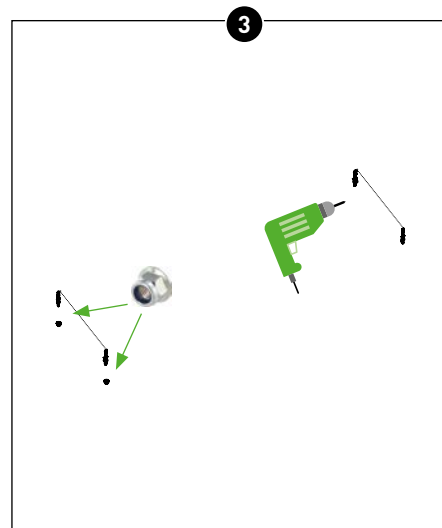
## Ceiling mounting



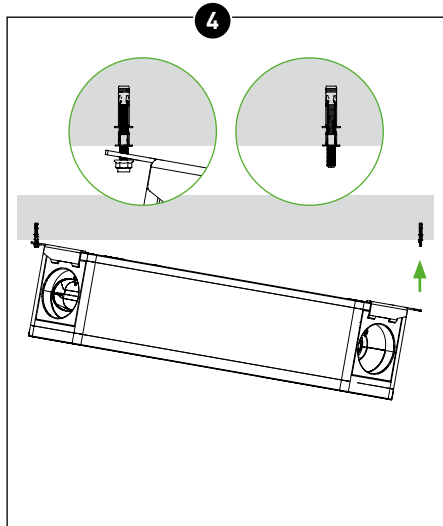
Unfold the lid of the packaging by folding open the sides. This creates a drill jig that can be used to mark or pre-drill the drill holes.



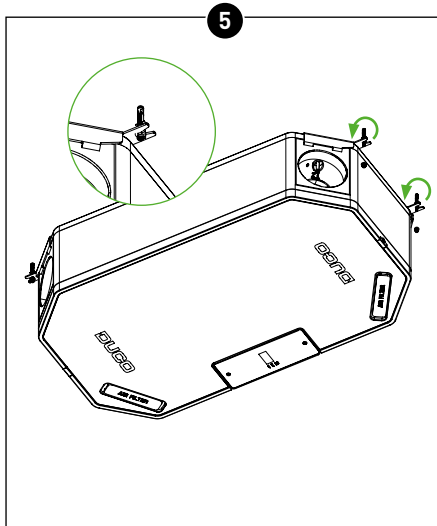
Hang the drill jig in the desired location and mark the fixation points according to the chosen positioning (P1 or P2).



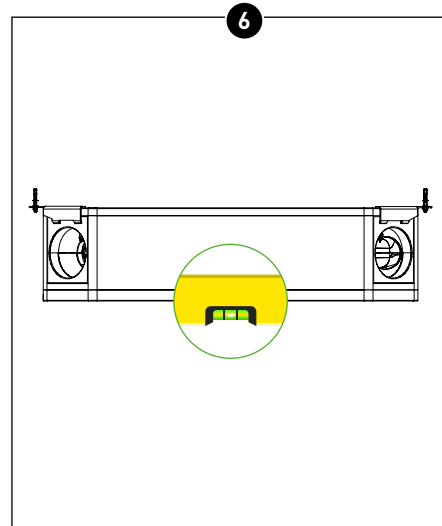
Use the supplied plugs or choose plugs that are suitable for the substrate and the weight of the unit (Max. 25 kg) if this would not be the case with the supplied plugs. Make the holes according to the markings and chosen plugs. Mount the plugs and the 4 stud screws (Hanger Bolt 4.6-SW6/TX25-(A2K)-M8x60). On 2 fixation points (end side for P1 or long side for P2), screw the nuts without tightening them completely.



First hook the unit with the mounting brackets over the 2 fixation points with nuts and then tilt the unit against the ceiling so that all brackets fit over the fixation points.



Secure the unit at the 2 free points with the 2 remaining nuts. Secure everything by tightening all the nuts.



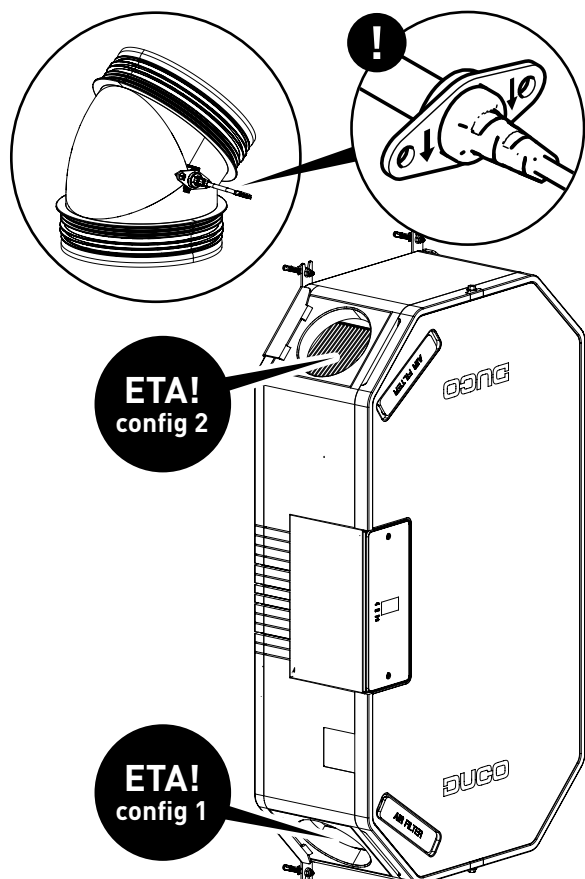
Check whether the unit is **level** against the ceiling. This will ensure that condensate drains off properly.

## 05.C Humidity Sensor (optional)

The optional, separately available Humidity Sensor (0000-4723) is placed in the extract air duct of the DucoBox Energy Sky and centrally measures the humidity of the air extracted from the house. The sensor has a 2m connection cable and is powered from the DucoBox. A DucoBox Energy Sky contains a maximum of one Humidity Sensor with central measurement in the ducts. Local moisture measurement can be done with optional Humidity (Room) Sensors.



Video instructions  
[www.duco.tv](http://www.duco.tv)



### Connecting the Humidity Sensor to the DucoBox Energy Sky

- 1 Make sure the DucoBox Energy Sky is not under current.
- 2 Provide a 10.5-12 mm bore in (the connector of) the extraction duct (ETA) at a location no further than what can be bridged with a 2-metre connection cable. Attention: the position of the ETA duct depends on the chosen settings for starting the unit (see page 21).
- 3 Slide the moisture sensor into the borehole. Make sure that the arrow marks on the sensor point in the direction of the airflow (= pointing to the DucoBox).
- 4 Attach the sensor with the self-tapping screws provided. Make sure the connection flange is pressed against the duct so that the assembly is airtight.
- 5 Connect the cable of the Humidity Sensor to the printed circuit board (see 'Connections' on page 7). The DucoBox Energy Sky will automatically recognise the Humidity Sensor when the device starts.

## 05.D Air ducts

### Choosing air ducts

Flow rate and maximum air velocity are defining factors in choosing the right ducting in order to avoid generating any extra obtrusive noise and pressure drop (see table).

Make sure that the total counter pressure in the ducts is as low as possible (preferably  $\leq 150\text{Pa}$ ) and that the air velocity in every duct **does not exceed 3 m/s**.

Desired flow rate (m <sup>3</sup> /h)	Minimum recommended duct diameter (mm)
0-30	Ø 100
30-150	Ø 125
150-250	Ø 160
250-350	Ø 180
350-550	Ø 200

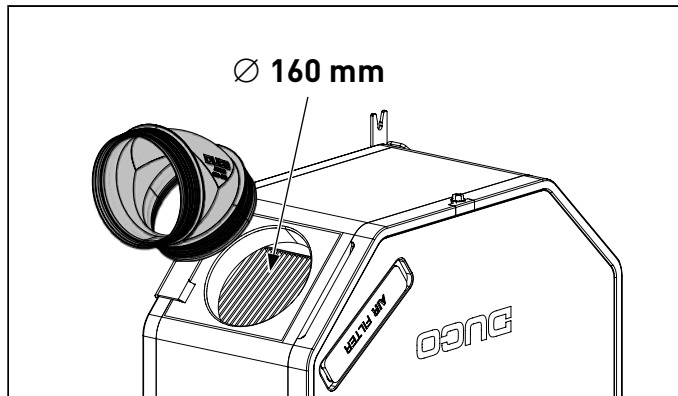
## Integrating connectors

Based on the chosen duct diameter, connect the appropriate connectors (with rubber) to the ventilation unit. The 4 spigots on the ventilation unit have a diameter of  $\varnothing 160$  (F).

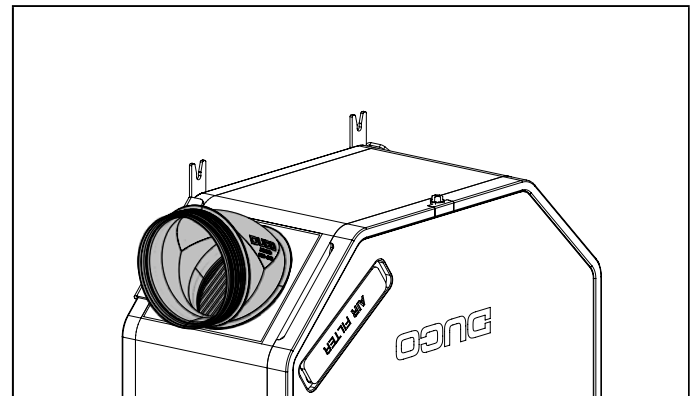
Choice of connectors (with rubber):

DESCRIPTION	ARTICLE NUMBER
Connection piece with joint D160/D160 (M/M)	0000-4724
Connection piece with joint D180/D160 (M/M)	0000-4725
Connection piece 45° with joint D160/D160 (M/M)	0000-4949

The connectors can be connected airtight without additional fasteners.

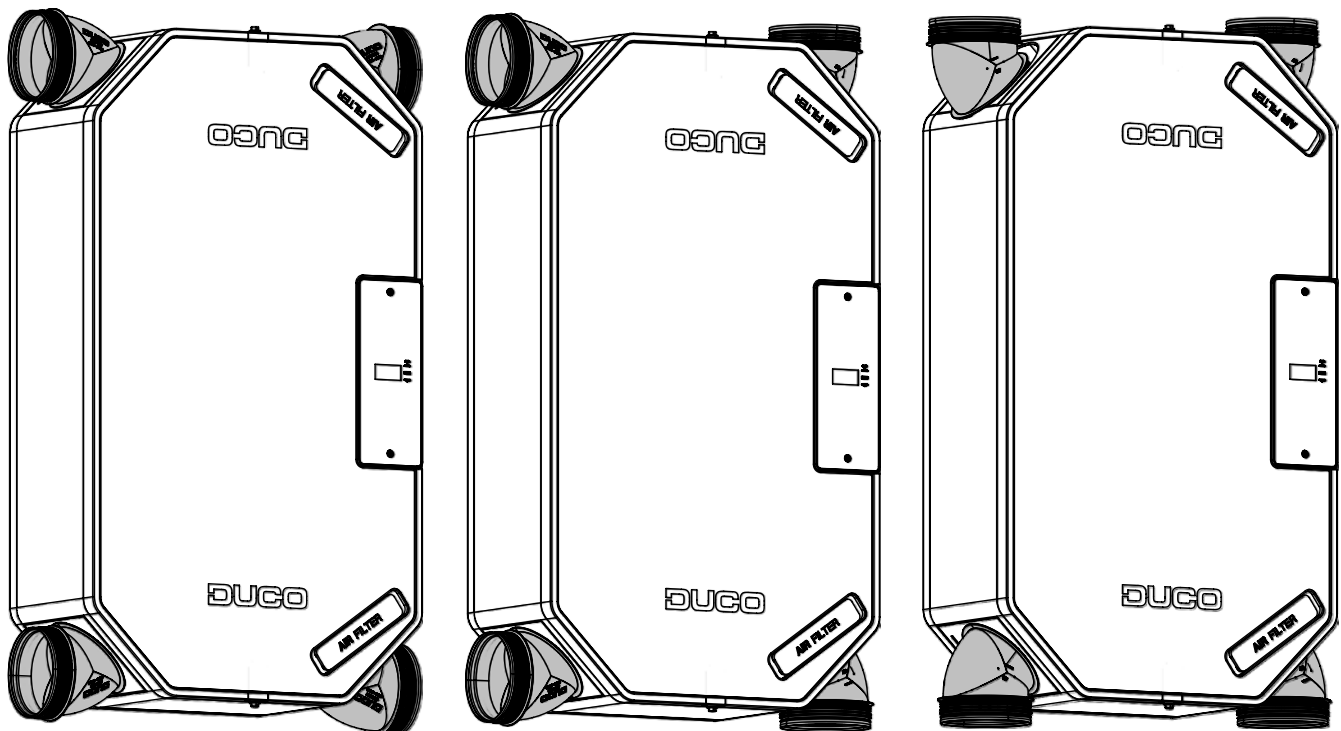


Slide the connection piece into the unit



Push the connection piece into the unit up to the stop flange

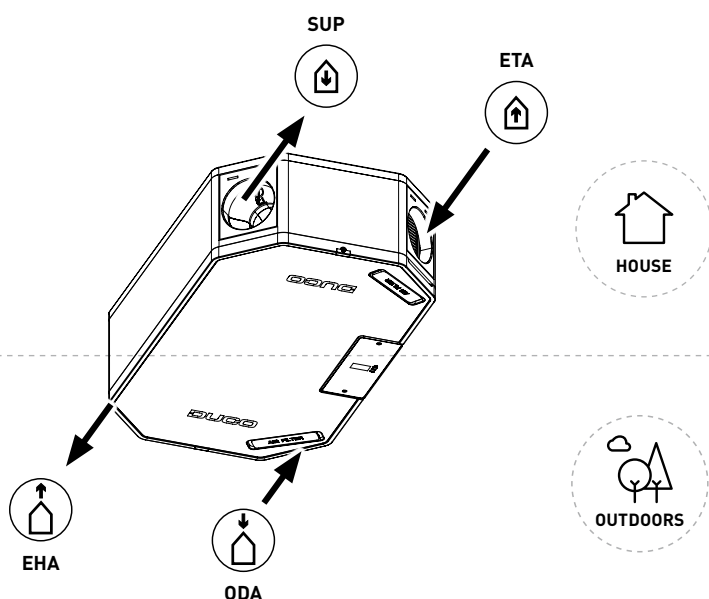
By using the 45° connection pieces, the connections to the air ducts can be made flexible and customised:



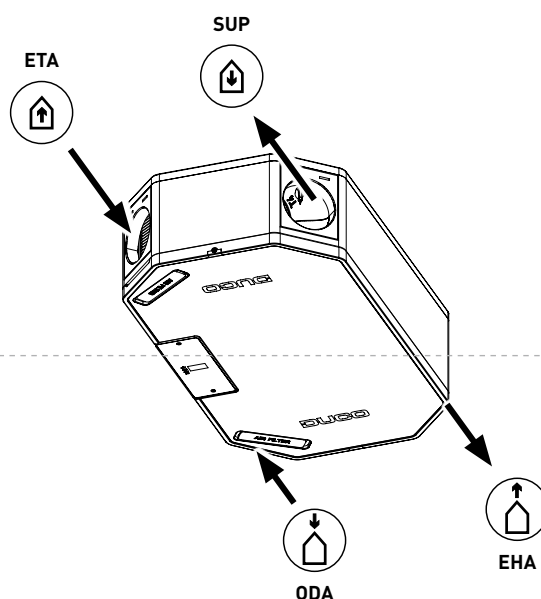
## Connecting air ducts

When connecting the channels, you can select either CONFIGURATION 1 or CONFIGURATION 2. This selection must be confirmed when you first boot the unit (see page 21).

**Configuration 1**



**Configuration 2**



Air ducts to <b>HOUSE</b>			Air ducts to <b>OUTDOORS</b>		
	<b>SUP</b> Supply	Supply air from unit to house		<b>ODA</b> Outdoor Air	Supply air from outdoors to the unit
	<b>ETA</b> Extract Air	Extract air from the house to the unit		<b>EHA</b> Exhaust Air	Exhaust air from the unit to outdoors

## 05.E External multi-zone valves (optional)

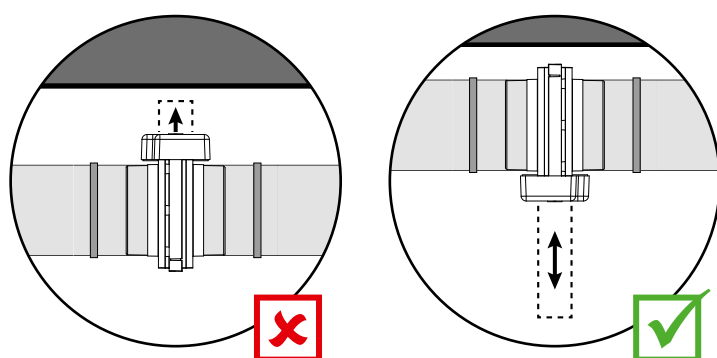
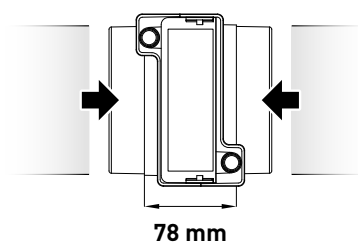
### Mounting the multi-zone valves

Multi-zone valves are mounted in the supply lines (SUP) with a maximum of 4 valves. The part is provided with 2 connection flanges. There is a variant in Ø 125 (M) or Ø 160 (M).

When splitting the SUP ducts, provide a T-piece or Y-piece with a 45° radius to minimise resistance.

Provide 78 mm space between two channels and slide the channels over the multi-zone valve casing.

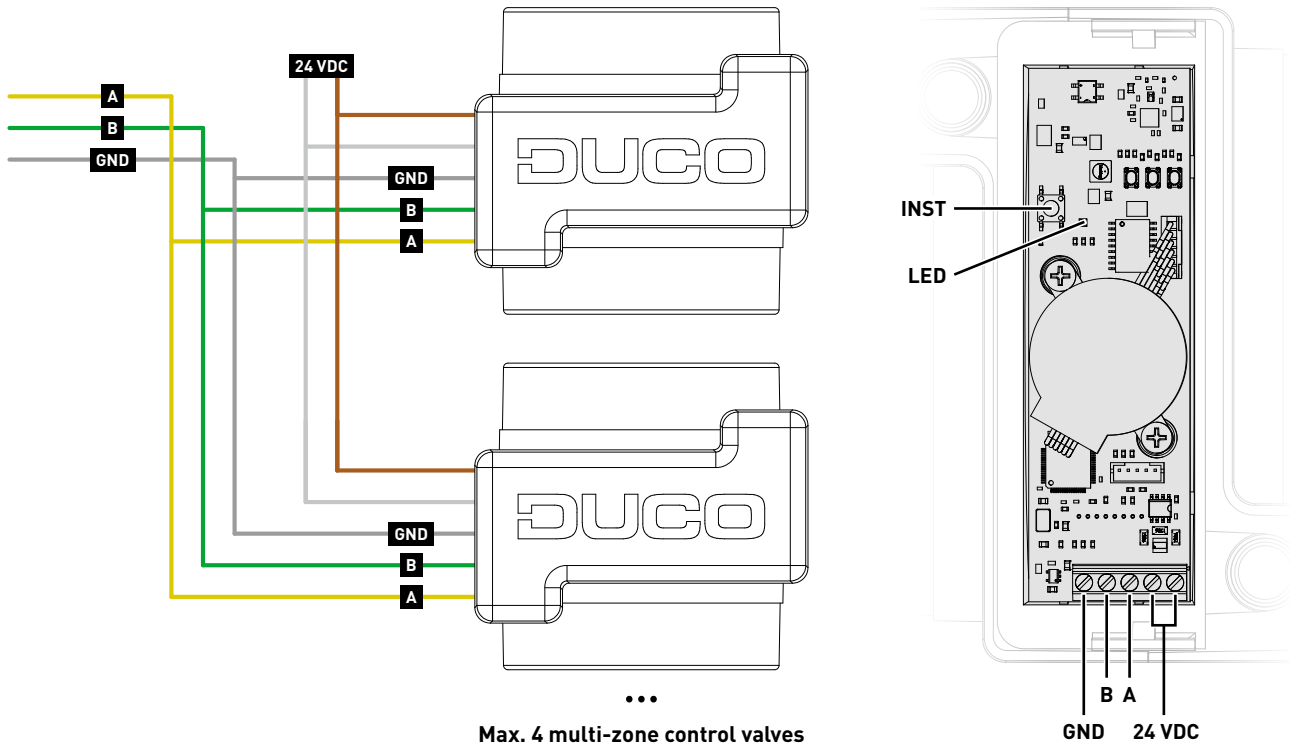
The casing is symmetrical and can be mounted in any direction. Position the casing so that the multi-zone valve can be easily retracted and operated.



Provide a bracket on both sides of the valve. Stick the duct to the casing with aluminium tape.

Video instructions  
[www.duco.tv](http://www.duco.tv)

## Wiring and power supply of multi-zone valves



For more specifications on the cabling to the DucoBox Energy Sky and the power supply, see 'Wiring diagram' on page 9.

## 05.F Vents

Preferably use DUCO vents, such as DucoVent Basic, DucoVent Comfort, DucoVent Design or DucoVent Premium. Please refer to the technical data sheet or mounting instructions of the DUCO vents. When installing vents, it is best to observe a few rules:

- Ensure that the supply and extract vents are at least 1.5 m apart so that the different airflows cannot come into contact with each other.
- It is preferable not to fit a vent right next to a wall in order to prevent soiling.
- In order to cut down resistance, we recommend using 125 mm dia. vents only.
- Maximum exhaust flow rate per vent: 75 m<sup>3</sup>/h.
- Maximum supply flow rate per vent: 50 m<sup>3</sup>/h.



# 06 Commissioning

## 06.A DucoBox Energy Sky start-up



**The unit must not be powered up until everything has been connected correctly.** This includes the air ducting systems as well as all electrical components. Failure to connect correctly can result in the permanent destruction of the DucoBox Energy Sky or serious physical injury!

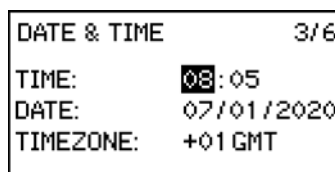
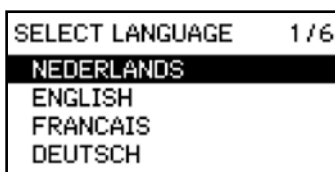
Switch on the power to the DucoBox Energy Sky (plug into the power socket). When the DucoBox Energy Sky starts up for the first time, you will be asked to enter a few basic settings. Navigate using the arrow keys (▲ and ▼) and confirm using **enter** (■).

### Screen orientation

Choose the orientation of the display so that it is legible in the correct position.

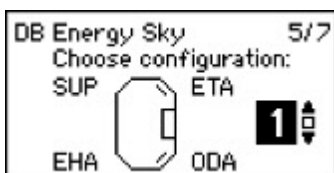


### General settings

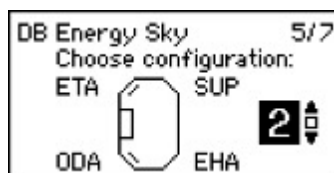


### CONFIGURATION 1 / CONFIGURATION 2 setting

The CONFIGURATION 1 / CONFIGURATION 2 setting determines the function of the channel connections. Make sure that the selected setting matches the connections as described on page 19.



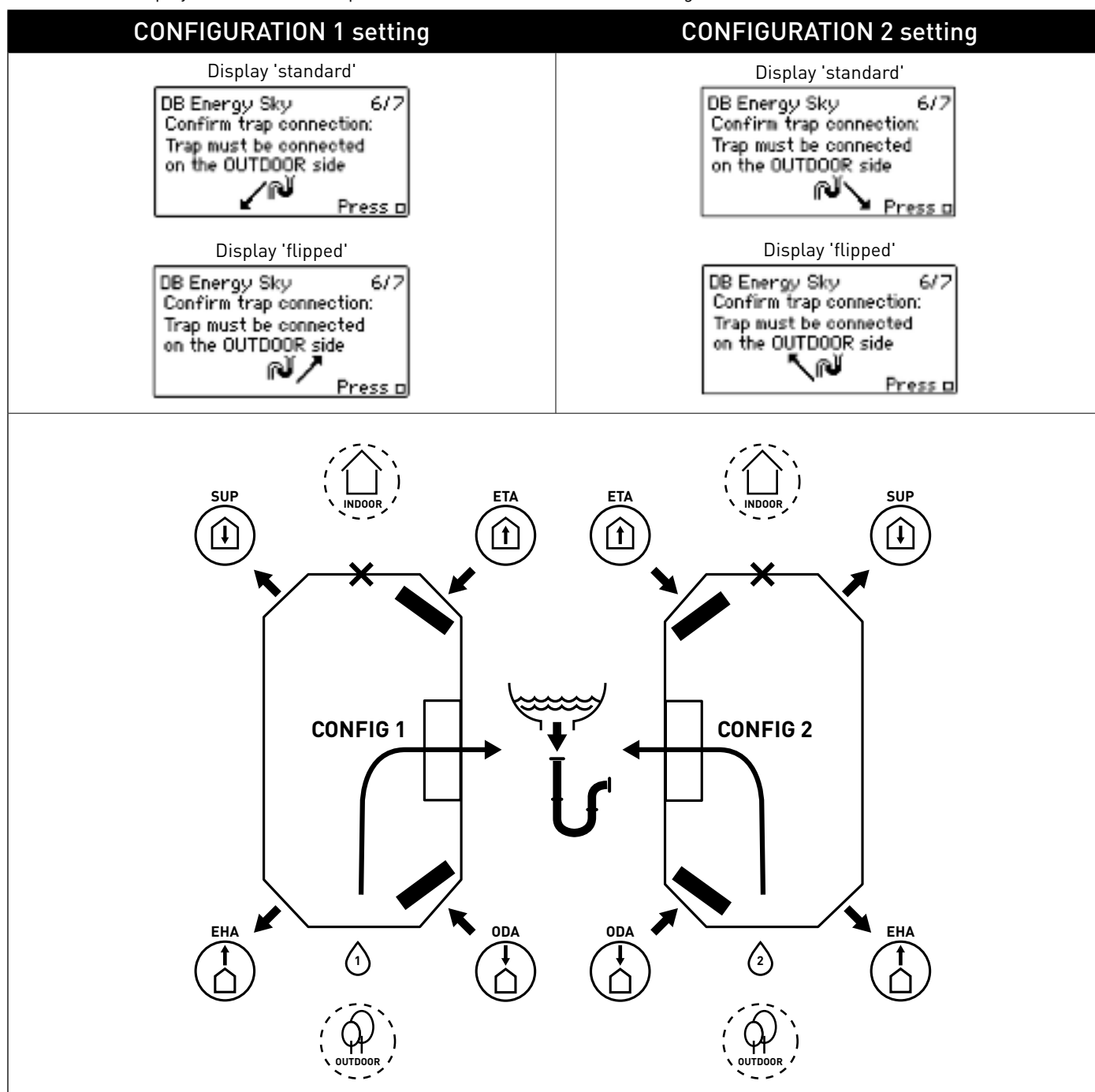
OR



## Fitting condensate drain

### Position

The DucoBox Energy Sky must always be fitted with a condensate drain on the connection side for connections to outdoors (EHA and ODA). The display shows the correct position in relation to the selected setting.



### ATTENTION!

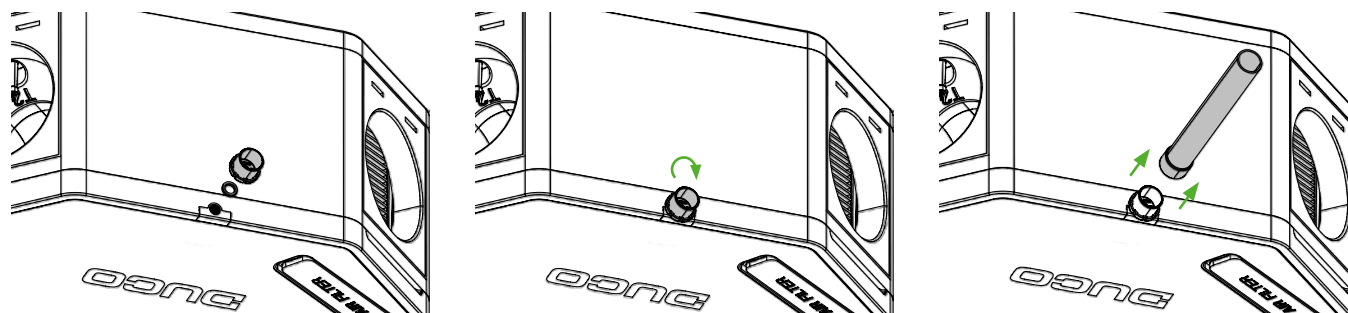
1. The connection between the condensate drain of the ventilation unit and the siphon must be 100% airtight.
2. No 2 siphons should be placed one after the other in the entire water drainage system. If this would be the case, provide an open connection between the 2 siphons.

**If these conditions are not met, condensation water will not drain and will remain in the ventilation unit which can lead to damage and/or serious electrical faults!**

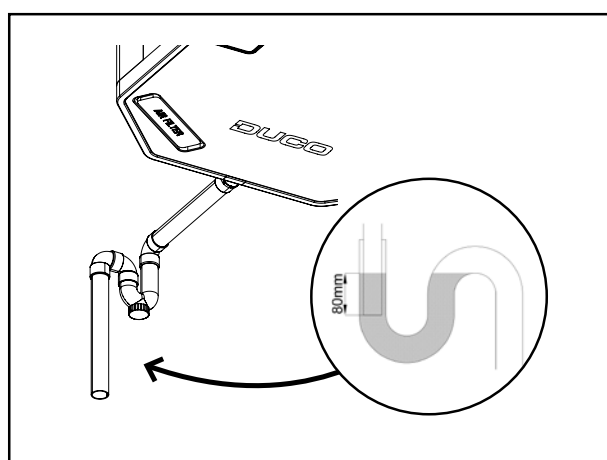


## Connecting the condensate drain

The unit is supplied with a standard 32 mm drain with a beveled end. Based on the aforementioned description, this can be mounted on the correct side by manually screwing it in. Make sure the supplied rubber sealing ring is fitted to the connection piece.



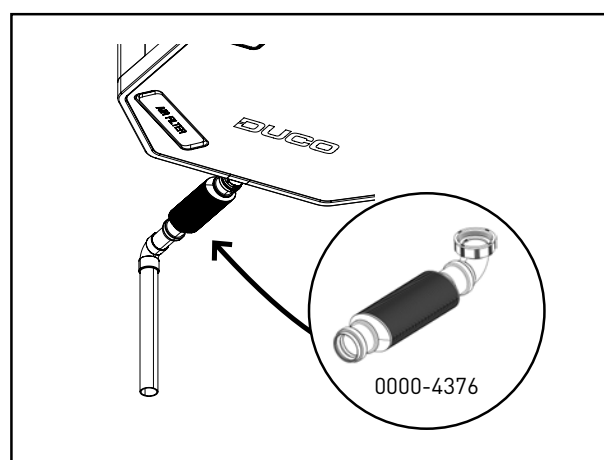
Do **not** glue the pipe for condensate drainage to the connection piece of the DucoBox Energy Sky! E.g. use a female connector with rubber sleeve. If the lid of the unit has to be opened, the condensate drain pipe can easily be disconnected this way. Condensate must be drained frost-free and under a slight slope. The condensate drain must not have any sharp bends.



**Standard siphon**  
(not included in the supply)

When using a standard siphon connection, a **water seal of at least 80 mm** must be provided. **Before start-up, it should also be filled with water**, to avoid an air leak, prevent sewer odour in the ventilation system and obtain a water lock.

OR



**Siphon Flat**  
(not included in the supply)

Preferably use this flat membrane siphon from DUCO, as it is space-saving and less likely to cause air leaks. It can be fitted 'dry' and it has the advantage that it cannot dry out in hot weather.

## Next steps

After this, you can proceed to the next steps to finish the installation:

- Pairing control components with the DucoBox Energy Sky (Electrical Installation, see page 24).
- DucoBox Energy Sky air-side calibration (see page 27).
- **A timer program can be set if there are no CO<sub>2</sub> and/or humidity sensors fitted in the system** (see page 32).
- **Optional:** changing settings. The factory settings will suffice in most cases. However, it is possible to configure settings such as the Bypass and comfort temperature to suit the occupants' wishes (see page 31).


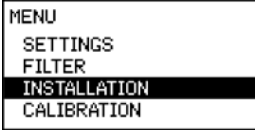
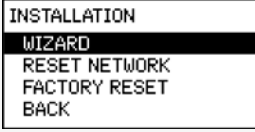
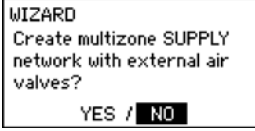
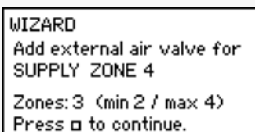
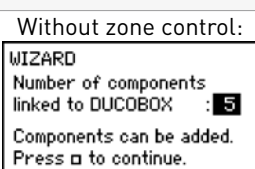
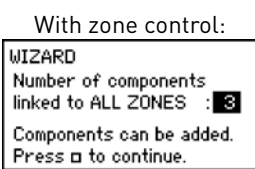
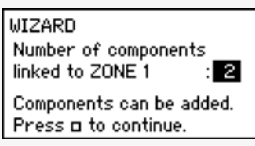
After this, the DucoBox Energy Sky is ready for use. To avoid contamination of the ducts, it is recommended that the unit be operated only when there are occupants, to avoid dust from the construction phase in the ducts and the unit.

## What in case of power failure?






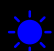

If the power supply to the DucoBox Energy Sky fails, it will retain all its settings. Once power has been restored, the DucoBox Energy Sky will start up again and run. The correct time will need to be set again if the DucoBox Energy Sky is without power for more than (around) 8 hours.

# 07 Electrical installation

## 07.A Pairing components

Pairing control components with the DucoBox Energy Sky	
<p><b>1</b> Activate advanced mode:</p> <ul style="list-style-type: none"> <li>• Scroll down to <b>ADVANCED</b> and press <b>enter</b>.</li> <li>• Enter the installer's code <b>9876</b> and press <b>enter</b>.</li> </ul>	
<p><b>2</b> Go to the <b>INSTALLATION</b> menu.</p>	
<p><b>3</b> Start the <b>WIZARD</b>.</p>	
<p><b>4</b> Was the supply air divided into zones via multi-zone valves?            3. If YES -&gt; go to step 5            4. If NO -&gt; go to step 6</p>	
<p><b>5</b> Register the multi-zone valves by briefly pressing the 'INST' button of the respective zone valves.  <b>IMPORTANT:</b> Remember the order of pairing. This determines the order of the zones! The first valve logged on is zone 1, the next is zone 2 ... with a maximum of 4 zones.</p>	
<p><b>6</b> Pair the desired control components with the system. I.e.:</p> <ol style="list-style-type: none"> <li>DucoBox Energy Sky without zone control: all components</li> <li>DucoBox Energy Sky with zone control: only the components in the wet rooms (bathroom, toilet, kitchen, laundry room, ...)</li> </ol> <p>Briefly tap any button of all components to be paired*. The LED on the component will start flashing green once it has been paired correctly. The number of paired components will be shown on the display menu. Confirm by pressing <b>enter</b> (■) once all the desired components have been paired.</p> <p>* Please refer to the control component manual for comprehensive instructions.</p>	<p>Without zone control:</p>  <p>With zone control:</p> 
<p><b>Only with zoned system:</b>            For example, each zone can be (part of) the day zone (living room, office, ...) or (part of) the night zone (bedrooms).</p> <ol style="list-style-type: none"> <li>Pair the desired control components with zone 1. Then confirm by pressing enter (■).</li> <li>Pair the desired control components with zone 2. Then confirm by pressing enter (■).</li> <li><b>Only when 3 zones were defined:</b> pair the desired control components to zone 3. Then confirm by pressing enter (■).</li> <li><b>Only when 4 zones were defined:</b> pair the desired control components to zone 4. Then confirm by pressing enter (■).</li> </ol>	
<p>All components have now been paired. This wizard can be run again if additional control components need to be paired at a later stage. All previously paired components will be retained in the network.</p>	

## LED indications

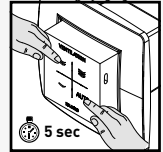
Colour	Blinking (= installation mode)		On continuously	Off
	Blinking slowly	Blinking rapidly		
 Red	<p><b>DucoBox (controller):</b> Network just cleared. (This LED indication is temporary; subsequently, the DucoBox restarts)</p> <p><b>Components:</b> Not in network</p> <p><b>User controllers (15 seconds after controlling):</b> Error on the system (at Error/warning-&gt; on input)</p>	<p><b>Components:</b> Currently pairing</p>	<p><b>User controllers:</b> Error on the system (at Error/warning-&gt; Auto)</p>	<p>In case of normal operation, the DucoBox LED will turn off after some time in order to save energy.</p>
 Orange	<p>User controllers (15 seconds after controlling): Warning on the system (at Error/warning-&gt; on input)</p>		<p>User controllers: Warning on the system (in case of Error/warning) -&gt; Auto)</p>	
 Green	<p>In network</p>	<p>In network, waiting to associate other components with this component.</p>		
 Yellow	<p>Transition phase during adjustment (waiting for pressure control to stabilise)</p> <p>a registered user controller/sensor is in installation mode but no longer connected to the controller</p>		<p>Initialising (system configuration in progress)</p>	
 White			<p>Normal operation</p> <p>The brightness of the LED on the DucoBox and some control components indicate the current ventilation percentage (bright = 100% ventilation).</p>	
 Blue	<p>Component is displayed (e.g. if changes are implemented via the controller).</p>			
 Magenta	<p><b>DucoBox (controller):</b> Software update via Duco Installation App (+ Duco Connectivity Board or Duco Installation Kit)</p>		<p><b>DucoBox (controller):</b> Update completed</p>	

## 07.B Removing / replacing components

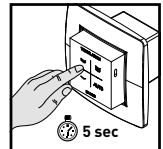
Removing paired components from the network or replacing is **only possible within 30 minutes after the component is paired in or is restarted**. Restarting can be done by disconnecting the power for a moment. After a time-span of 30 minutes, remove and replace operations are ignored. This is valid for **all components from date of manufacture 170323**.

### Removing a component

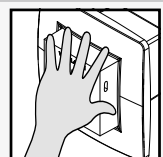
- 1 Activate 'Installer mode' by **long-pressing 2 diagonal buttons on a paired user controller**. The LED will flash green rapidly.



- 2 Press **once and hold** a button on the component to be removed in order to remove it from the network. **ATTENTION: any underlying components will also be removed from the network.**

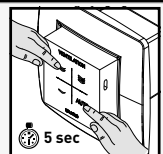


- 3 Deactivate 'Installer mode' by pressing the 4 buttons on a **paired user controller** simultaneously (or using the palm of your hand on a user controller featuring touch buttons). The LED will turn white.

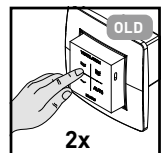


### Replacing a component

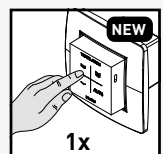
- 1 Activate 'Installer mode' by **long-pressing 2 diagonal buttons on a paired user controller**. The LED will flash green rapidly.



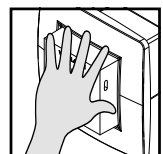
- 2 Briefly press **twice** on the button of the component to be replaced.



- 3 **Tap once** on the button of the new component. The latter will take on all settings / connections in the network.



- 4 Deactivate 'Installer mode' by pressing the 4 buttons on a **paired user controller** simultaneously (or using the palm of your hand on a user controller featuring touch buttons). The LED will turn white.



## 07.C Tips

In case of problems, the network can be cleared or a full reset of the DucoBox Energy Sky can be performed. To do this, refer to the following functions under the **INSTALLATION** menu (visible only after activating advanced mode, see page 33).

- **RESET NETWORK:** this removes all paired control components from the network.
- **FACTORY RESET:** this resets the entire system (= DucoBox Energy Sky + paired components) to factory settings. The calibration will be lost.

Use the **DUCO Installation App** to read out information from components.

**Never pair more than one system with RF components at the same time.** This could result in components on the wrong system being paired or in components failing to respond.

# 08 Air-side calibration

Calibrating the DucoBox Energy Sky can be split into various steps:

1. Pre-setting supply and exhaust vents
2. Calibrating flow rates



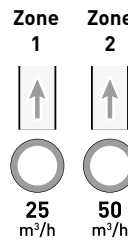
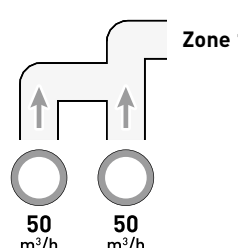
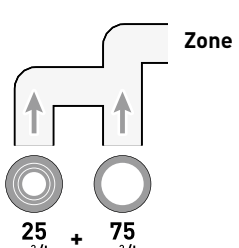
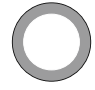

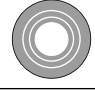
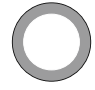

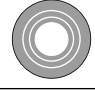
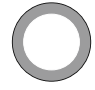

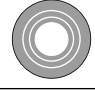
For the system to work correctly, it needs to be configured. This will ensure its operation is as quiet as possible and energy-efficient.

## 08.A Presetting vents

The exhaust and supply vents are installed in a moisture-laden/stale air extraction or fresh air supply duct. In order to calibrate the air supply and extraction correctly, these vents must be set **depending on the situation** in accordance with the table below.

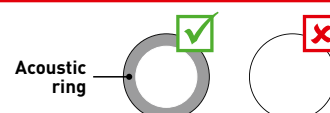


A maximum of 50 m<sup>3</sup>/h is recommended for supply vents to avoid excessive noise from being generated. For this reason it is recommended that the flow be split between several vents for higher flow rates.

<b>SITUATION 1:</b> One vent per zone	<b>SITUATION 2:</b> Multiple vents per zone with equal flow rates	<b>SITUATION 3:</b> Multiple vents per zone with different flow rates																	
<p>Set <b>all vents to the fully open position</b>, regardless of the desired flow rate.</p> <p>EXAMPLE:</p> 	<p>Set <b>all vents to the fully open position</b>, regardless of the desired flow rate. With DucoVent Design vents, turn the cone on the cover plate to the fully open position.</p> <p>EXAMPLE:</p> 	<p>Set the vents so they match the desired flow rate <b>in accordance with the table</b>.</p> <p>EXAMPLE:</p>  <table border="1" data-bbox="957 1339 1471 1684"> <thead> <tr> <th>DucoVent Premium</th> <th>DucoVent Design</th> <th>DucoVent Comfort</th> <th>DucoVent Basic</th> </tr> </thead> <tbody> <tr> <td>Position 8.0</td> <td></td> <td>Position 0</td> <td>100% open</td> </tr> <tr> <td>Position 5.2</td> <td></td> <td>Position 3</td> <td>50% open</td> </tr> <tr> <td>Position 3.0</td> <td></td> <td>Position 7</td> <td>25% open</td> </tr> </tbody> </table>		DucoVent Premium	DucoVent Design	DucoVent Comfort	DucoVent Basic	Position 8.0		Position 0	100% open	Position 5.2		Position 3	50% open	Position 3.0		Position 7	25% open
DucoVent Premium	DucoVent Design	DucoVent Comfort	DucoVent Basic																
Position 8.0		Position 0	100% open																
Position 5.2		Position 3	50% open																
Position 3.0		Position 7	25% open																



When using DucoVent Design exhaust vents, always leave at least the outer ring in place for acoustic effect.



## 08.B Calibrating flow rates

The DucoBox Energy Sky calibration mode can be activated using the display menu.



### IMPORTANT, BEFORE CALIBRATING

Close all windows and doors. Ensure that all duct openings in the DucoBox Energy Sky are fully closed, that the DucoBox Energy Sky lid is closed and, if applicable, the covers of the multi-zone valves are properly fitted! Avoid air leaks in the ventilation ducts. Open all interior doors between the various zones.

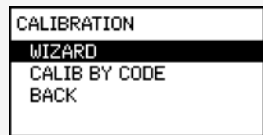
### Calibrating the DucoBox Energy Sky


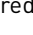
- 1 Activate advanced mode:
  - Scroll down to **ADVANCED** and press **enter**.
  - Enter the installer's code **9876** and press **enter**.

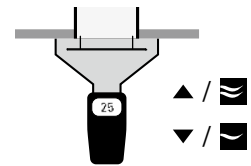
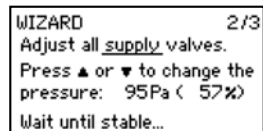


### Calibrating supply vents

- 2 Scroll down to **CALIBRATION** → **WIZARD** and press enter. The DucoBox Energy Sky calibration mode starts up. Do not start manual calibration until you see the message on the display and follow the instructions on the screen. Enter the flow rates for each zone if asked to do so.

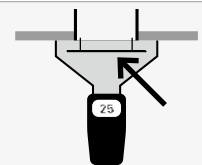



- 3 In the **'Adjust the supply vents'** step, select the duct with the highest flow rate and resistance and, using a pressure-compensated air flow meter, measure the flow rate at this vent. If the flow rate is too high or too low, you can adjust it using the arrow keys on the DucoBox Energy Sky. Depending on the version of the user controller, this can also be done by pressing the  (lower) and  (higher) buttons on a paired user controller. Adjust the flow rate so as to obtain the desired flow rate at this vent. The flow rate can be adjusted at the vent.

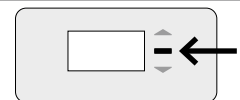


**NOTE:** The system needs around ten seconds to run stably when adjusting the flow rate using the buttons on the DucoBox Energy Sky, the User Controller or making large changes at the vent. The system will indicate when the calibration is stable. The system will indicate when the calibration is stable. The flow rate cannot be measured correctly until after this time has elapsed.

- 4 Proceed now with the remaining supply vents. **The flow rate from these other vents must only be adjusted at the vents themselves.** Adjusting vents will not alter the flow of previously calibrated vents.

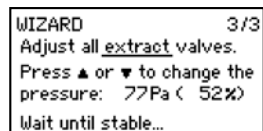


- 5 When all supply valves are adjusted, press the **enter button** () on the DucoBox Energy Sky or you can confirm by long pressing the **AUTO-button** of the user controller.



### Calibrating exhaust vents

- 6 Repeat steps 3 to 5 inclusive for all **exhaust** vents.





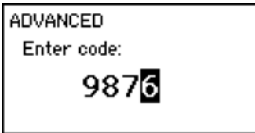
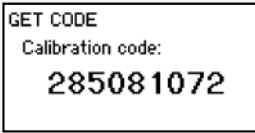
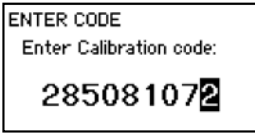
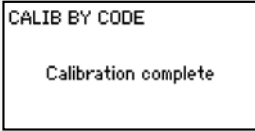
## 08.C Checking

The calibrated flow rates can be checked at the various vents once adjustment and calibration have been completed. Do this by going into **advanced mode** (see page 33) and select "**CALIBRATION → VERIFY HIGH LEVEL**". The DucoBox Energy Sky will now ventilate for 30 minutes at its calibrated ventilation setting.

## 08.D Copying calibration data in case of serial construction

The DucoBox Energy Sky contains the '**Calib by Code**' function in order to copy the calibration data to another unit. This is useful in projects with **identical residential units and installations**. In this case, only a single unit needs to run through the calibration procedure. The other unit will take over the calibration settings of the first unit by copying the calibration code.

### Copying the calibration data to another unit

<p>1 Make sure that all valves are adjusted <b>identically</b> (presetting + fine-tuning) for each installation.</p>	
<p>2 Activate advanced mode:</p> <ul style="list-style-type: none"> <li>• Scroll down to <b>ADVANCED</b> and press <b>enter</b>.</li> <li>• Enter the installer's code <b>9876</b> and press <b>enter</b>.</li> </ul>	
<p>3 On the calibrated unit, navigate to <b>CALIBRATION → CALIB BY CODE → GET CODE</b> and write down this code.</p>	
<p>4 On the units to be calibrated, navigate to <b>CALIBRATION → CALIB BY CODE → ENTER CODE</b> and enter the code.</p>	
<p>5 The unit will indicate when the calibration is completed. This can take a few minutes. If the unit does not succeed in completing the calibration (e.g., due to a wrong code or differences in the installation), the user can cancel the calibration by simultaneously pressing the two arrow keys.</p>	

DUCO recommends to check the calibrated flow rates after the calibration (see 'Checking' on page 29).

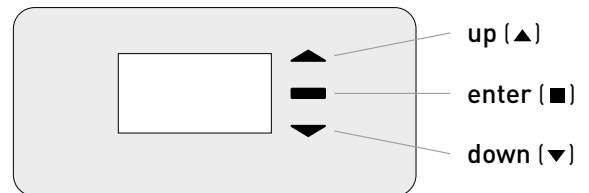
# 09 Display menu

The DucoBox Energy Sky features a graphic display which enables all the necessary parameters of the unit to be easily adjusted. Settings and calibration can also be done via the free Duco Installation App if a Duco Connectivity Board is present (or if you have the Duco Installation Kit (= installer's tool).

## 09.A Display overview and operation

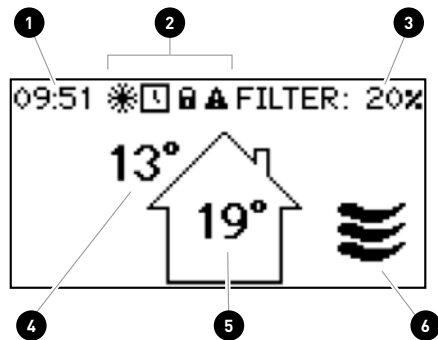
### Operation

The display on the DucoBox Energy Sky has 3 buttons: **up** (▲), **down** (▼) and **enter** (■). The arrow keys can be used to scroll through the menu. If the display has not been used in the normal operating mode, it will be deactivated after 1 minute. Press any button at random on the display in order to reactivate it. Press **enter** (■) to retrieve the menu.



### Main screen

The display will light up continuously when the DucoBox Energy Sky starts up until calibration has been completed. Then the following main screen is visible:






The pictogram indicates the active position of the system (only if 'UNIT CONTROL' is active). See page 31 for more information.

1	Time
2	Symbols ❄ Frost protection is active (see page 33) 🕒 Time programme active (see page 32) 🗄 Menu is in advanced mode (see page 33) ⚠ There is a fault. The system might not be working properly.
3	Filter status • 100% = new filter • 0% = replace filter
4	Outdoor temperature
5	Indoor temperature
6	Ventilation position The pictogram indicates the active position of the system (only if 'CONTROL ON DEVICE' is active), see page 31 for more information.

## 09.B Change ventilation position

The ventilation position can be changed via the display menu or via one or more external controls (optional). The display menu and any external controls will always show the same position.

### Ventilation positions

<b>AUTO</b>	<b>Automatic setting</b> (= recommended) The system ventilates on a low number of revolutions and will only accelerate if needed. This guarantees an operation that is as energy-economical as possible. Accelerating occurs based on CO <sub>2</sub> and/or humidity measuring (if sensors are installed) or based on a pre-set time programme (see page32).
	<b>Low</b> The system exhausts at <b>10%</b> of maximum capacity.
	<b>Medium</b> The system exhausts at <b>50%</b> of maximum capacity.
	<b>High</b> The system exhausts at <b>100%</b> of maximum capacity.

### Changing the ventilation position via the unit

The DucoBox Energy Sky has the option to view and change the ventilation position via the display menu. For this purpose, the following setting must be activated: **SETTINGS** → **CONTROL ON DEVICE** (standard = **ON**). If this option is active, the mainscreen will show the ventilation position (see page 30), and using the arrow keys (▲ / ▼) will enable changing the ventilation position. Open the menu via **enter** (■).

The selected ventilation position on the unit is permanent (indicated in purple in 'Controls') until the user activates another position. Control is needed if you want to set temporary manual positions. DUCO recommends the **AUTO** position for an optimal and energy-efficient operation.

## 09.C Settings for the resident

The following settings can be adjusted by the occupant:

### Date & time

During the initial installation, carried out by the installer, the date and time will be set correctly. Every DucoBox Energy Sky will remember the date and time for a number of hours after a power cut. If the date and time have nevertheless been set incorrectly, they can be corrected manually via the menu.

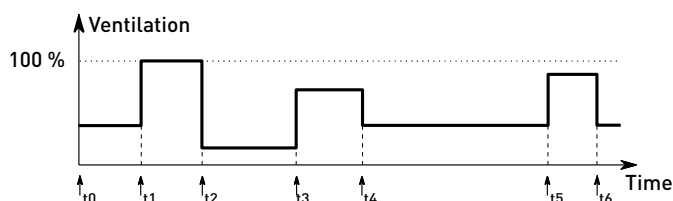
If the DucoBox Energy Sky is equipped with a Duco Connectivity Board and the DucoBox Energy Sky is connected to a computer network with internet access, the date and time will synchronise automatically. If this is not the case, the date and time can be set by the following method.

Setting date & time	
<b>1</b>	Go to <b>SETTINGS</b> → <b>DATE &amp; TIME</b> .
<b>2</b>	Change the hours by pressing the ▲ or ▼ button and press <b>enter</b> (■) to confirm.
<b>3</b>	Change the minutes by pressing the ▲ or ▼ button and press <b>enter</b> (■) to confirm.
<b>4</b>	Change the day, month, year and time zone in the same way. Date and time are now set correctly.

## Time programming

A set timetable can be programmed into the ventilation unit. This is desirable when there are no CO<sub>2</sub> and/or humidity sensors present in the ventilation system. With the timer programme, the DucoBox Energy Sky will increase or decrease the ventilation in the house. The timer programme can be adjusted by the user on the DucoBox in the following way.

The timer programme is deactivated by default.



## Bypass

The system is able to partially or completely deactivate heat recovery if the temperature in the house rises too high, e.g. due to solar heat gain in hot summer weather. In this case, the bypass will direct the air extracted from the house either partially across the heat exchanger or not at all. Fresh outdoor air will therefore not be heated up by warm stale indoor air. This relatively cooler outdoor air entering the house will be used to reduce the temperature in the house as far as possible down to the desired temperature.

By default, the setting for automatic bypass operation is activated, but it can also be set manually.

### Automatic operation (= recommended)

The bypass will gradually open if the temperature in the house rises too high and the outdoor temperature is lower than the indoor temperature. The temperature of the fresh air supplied will be colder than the indoor temperature by up to a maximum of 1 °C; this will gradually cool the house down without an uncomfortable feeling of cold air.

### Setting the bypass manually

If so desired, the user can deactivate automatic bypass operation by opening or shutting it manually.

## Adjusting the timer programme

- 1 Go to **SETTINGS** → **PROGRAM**.
- 2 Select the **(Mon-Fri + Sat-Sun or Mon-Sun)** mode, **Mon-Fri + Sat-Sun** is standard.
- 3 Select the desired period in the week.
- 4 Select **ADD** to insert a new time point (up to 8) into the programme.
- 5 Set the desired time and ventilation level using the **▲** and **▼** arrow keys. Confirm using **enter** (**■**).
- 6 Add more time points.
- 7 Select **BACK** to go back out of the menu in order to select another period or zone.
- 8 You can exit the menu completely by pressing **▲** and **▼** simultaneously.

## Bypass settings

<b>SETTINGS</b>	
<b>BYPASS</b>	
<b>STATUS</b>	(for information)
Current bypass status.	
0%: bypass shut (= heat exchange active)	
100%: bypass open (= no heat exchange)	
<b>MODE</b>	
<b>AUTO</b> (= standard): automatic operation based on measured temperature and comfort temperature setting	
<b>OPEN</b> : no heat exchange at any time	
<b>SHUT</b> : always heat exchange	
<b>ADAPTIVE</b>	
If <b>MODE = AUTO</b> and <b>ADAPTIVE = ON</b> , the system will automatically seek the most pleasant-feeling temperature thanks to a smart comfort temperature control. The system will adjust the desired indoor temperature based on the outdoor temperature and the season of the year.	
<b>COMFORT TEMPERATURE</b>	
In <b>AUTO</b> mode the system will aim to shift the temperature in the house to this comfort temperature.	
Standard: <b>21.5 °C</b>	

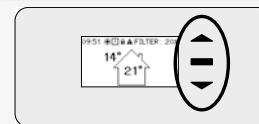
\* Only if at the first start-up, when choosing the country, "the Netherlands" was selected.

## 09.D Advanced settings

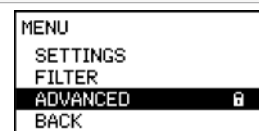
Gaining access to menus intended for installers only requires the advanced mode to be activated. When the advanced mode is active, additional items will appear on the menu, which enable the unit to be put into operation.

### Activate the advanced mode

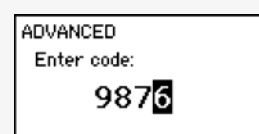
- 1 Press **any button at random** on the DucoBox Energy Sky display.



- 2 Scroll down to **ADVANCED**. The padlock next to the menu indicates that the advanced mode is locked. Press **enter**.



- 3 Enter the installer's code **9876** and press **enter**. Now additional items are available in the menu. The padlock (🔒) on the display menu indicates that the advanced mode is active. The menu will exit the advanced mode after 30 minutes of inactivity or after restarting the DucoBox Energy Sky. The advanced mode can also be closed down manually using the **CLOSE ADVANCED** menu command.



### Frost protection

There is a possibility at low outdoor temperatures that the moisture in the exhaust air will condense in the heat exchanger. The DucoBox Energy Sky is equipped with a mechanism to prevent freezing of this condensate. The unit will adjust air flow rates in such a way that freezing will be prevented (= temporary imbalance method).

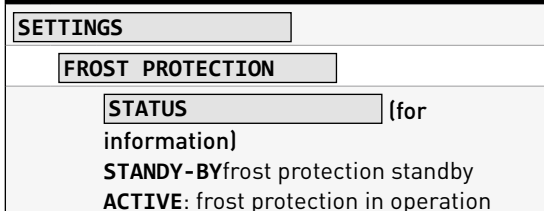
The frost symbol (❄️) will be shown on the display whenever frost protection is in operation.

The frost protection cannot be switched off.

### What in case of freezing?

If, despite the built-in frost protection mechanisms, the DucoBox Energy Sky should freeze in an exceptional case, this will be reported on the display. The DucoBox Energy Sky will then temporarily switch off all ventilation for 8 hours and then try to restart ventilation. If the unit is still frozen, it will shut down the ventilation permanently. In this case, when the unit is completely defrosted, the resident should unplug and plug back in to restart ventilation.

### Frost protection settings



## 09.E Menu structure

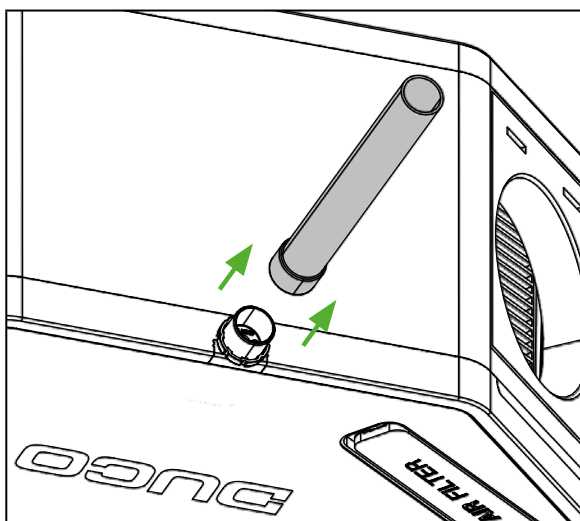
The chart below contains all the menus in the DucoBox Energy Sky. Menus with a padlock (🔒) are only visible to the installer after entering the installer's code **9876**.

The chart below may differ depending on the DucoBox Energy Sky software version.

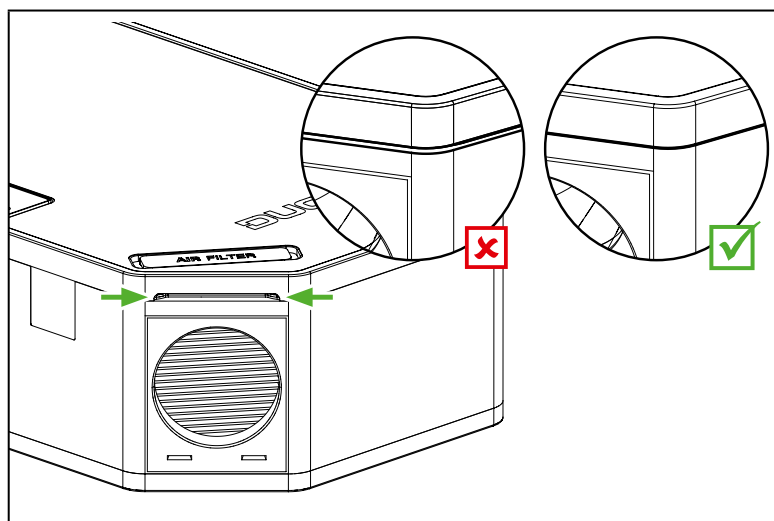
<p><b>INFO</b></p> <p><b>TEMPERATURE SENSORS</b> (for information) The DucoBox Energy Sky features 4 temperature sensors which measure the temperature at each duct connection. The values of these temperature sensors are indicative.</p> <p><b>PRESSURE SENSORS</b> 🔒 (for information) The pressure measured in the unit relative to the atmosphere. These values give an indication about the performance of the system calibration.</p> <p><b>BOX SENSORS</b> 🔒 (for information) Measured values Humidity Sensor.</p> <p><b>ERROR LIST</b> Overview of error messages and/or warnings.</p> <p><b>DUCO SERIAL NUMBER</b> (for information) Serial number of the DucoBox</p> <p><b>SOFTWARE VERSION</b> (for information) In any communication with DUCO, you may be asked to state the software version of your DucoBox Energy Sky. Please keep this number to hand for any communication.</p> <p><b>SOFTWARE UPLOAD</b> All components in the network can also receive a software update via the DucoBox. The 'Software update' selection field can be used to read out the percentage status of the update of these components.</p> <p><b>SERVICE CODE</b> This code will enable the DUCO service team to read out the composition of your ventilation system and its paired components.</p> <p><b>UNIT INFO</b> (for information) In any communication with DUCO, you may be asked to provide unit details such as correct name, type, country setting.</p>	<p><b>SETTINGS</b></p> <p><b>COMFORT TEMPERATURE</b> The DucoBox Energy Sky will seek to maintain the temperature in the house at the set value. The DucoBox Energy Sky also features a smart algorithm which will automatically adjust the comfort temperature depending on the outdoor temperature. This will maintain the temperature in the house at the most comfortable level possible for the resident. With zoned control, a comfort temperature can be set for each zone.</p> <p><b>CONTROL ON DEVICE</b> Option to change the ventilation position via the display menu</p> <p><b>PROGRAMME</b> A set timetable can be programmed into the ventilation unit. You can use this to increase or decrease the ventilation in the house at fixed times.</p> <p><b>BYPASS</b> The DucoBox Energy Sky features a fully automatic bypass. This enables the house to cool down to the desired comfort temperature during summer nights. It is also possible to deactivate the bypass temporarily or completely to increase user comfort.</p> <p><b>DATE &amp; TIME</b> The DucoBox Energy Sky has a built-in clock, which is required for time-dependent controls.</p> <p><b>LANGUAGE</b> The menu language can be changed to match the user's language. The following languages are available: Dutch, English (standard), French and German.</p> <p><b>SCREEN ORIENTATION</b> Displays the set "Orientation" parameter of the screen. The reading direction of the display can be changed by choosing between "STANDARD" or "REVERSED".</p> <p><b>LAN SETTINGS</b> Platform where LAN settings can be defined. Only active when a Duco Connectivity Board is connected, AND there is a positive response to the IP address query.</p> <p><b>MODBUS</b> 🔒 Platform where Modbus settings can be defined. Only active when a Duco Connectivity Board is connected, AND there is a positive response to the Modbus address query.</p> <p><b>CONFIG</b> 🔒 Other settings.</p> <p><b>FROST PROTECTION</b> 🔒 Status of frost protection: <b>STAND-BY</b> or <b>ACTIVE</b>. See also page 33. Other settings such as <b>HEATER AUTO</b> or <b>OFF HEATER EXT</b> (pre-heater) <b>ABSENT</b> or <b>PRESENT</b></p> <p><b>NIGHTBOOST</b> 🔒 Activate or deactivate and set parameters of the nightboost function.</p> <p><b>BUILDING TYPE*</b> 🔒 Selection of the parameter <b>HOUSE</b> (landed) or <b>FLAT</b> (non-landed).</p>
<p><b>FILTER</b></p> <p><b>FILTER STATUS</b> Remaining filter service life.</p> <p><b>REPLACE FILTERS</b> Step-by-step instructions for replacing filters.</p> <p><b>FILTER CLEANING</b> Step-by-step instructions to clean the filters.</p> <p><b>FILTER LIFETIME</b> 🔒 Customise filter replacement interval with choice of 90, 180, 270 or 360 days.</p>	<p><b>INSTALLATION</b> 🔒</p> <p><b>WIZARD</b> 🔒 Run this wizard to pair components with the system.</p> <p><b>RESET NETWORK</b> 🔒 This removes all paired control components from the network.</p> <p><b>FACTORY RESET</b> 🔒 Resets the entire system (= DucoBox Energy Sky + paired components) to factory settings. The calibration will be lost.</p>
<p><b>CALIBRATION</b> 🔒</p> <p><b>WIZARD</b> 🔒 Run this wizard to calibrate air flow rates correctly.</p> <p><b>VERIFY HIGH LEVEL</b> 🔒 Sets the system temporarily to high level to enable calibrated air flow rates to be verified. Active only if adjustment has been carried out.</p> <p><b>CALIB BY CODE</b> 🔒 To copy the adjustment of an existing system, a code can be requested or read in.</p>	
<p><b>ADVANCED</b> / <b>CLOSE ADVANCED</b> 🔒 Activate / deactivate advanced mode to show / hide functions with a padlock (🔒).</p>	

# 10 Maintenance & service

Please refer to the maintenance instructions at [www.duco.eu](http://www.duco.eu) and view the videos on [duco.tv](http://duco.tv) for more information.



Before removing the lid, first disconnect the condensate drain from the connection piece.



The lid of the DucoBox Energy Sky is mounted without screws and can therefore be opened manually. At the level of the 2 filter caps, there is a recess in the lid to make opening easier.

**When closing, the lid must be pressed against the casing over its entire circumference. There should be no more play between the two parts.**



**When reconnecting the condensate drain, make sure it is mounted airtight!**

## **For service problems as a user:**


Please contact your installer. Keep the serial number of your product to hand.

## **For service problems as an installer:**

Please contact your retailer of DUCO products. Keep the serial number of your product to hand.

The serial number is located on the sticker at the top of the DucoBox Energy Sky or can be consulted via the display **INFO - DUCO SERIES NUMBER**.

## **Error code management**

In case of errors (**ERROR**) or warnings (**WARNING**) the following icon appears on the display of the unit .

The messages can be consulted via the display menu **INFO - ERROR LIST**. An overview of codes and related actions can be found on the website [www.duco.eu](http://www.duco.eu).

Via the display menu, under **SETTINGS-CONFIG-DUCOBOX ENERGY-UC ERROR MODE**, the control principle can be selected for displaying errors or warnings via the linked sensors and/or controls. There is a choice between:

- **DISABLED**: not activated - no error messages via linked controls or sensors. The error codes can then only be detected by the user via the display.
- **ON\_INPUT**: at **ERROR** or **WARNING** when operated, a red or orange LED flashes for a few seconds on the relevant sensor (excl. sensors without control) or user controller (excl. battery-operated controls). This remains active until the error code is handled.
- **AUTO**: at **ERROR** or **WARNING** a red or orange LED appears on all linked sensors or controls (excluding battery-operated controls). The LED remains lit until the error code is handled.

## Cleaning/replacing filter

To clean or replace the filter, a Wizard can be followed via the display:

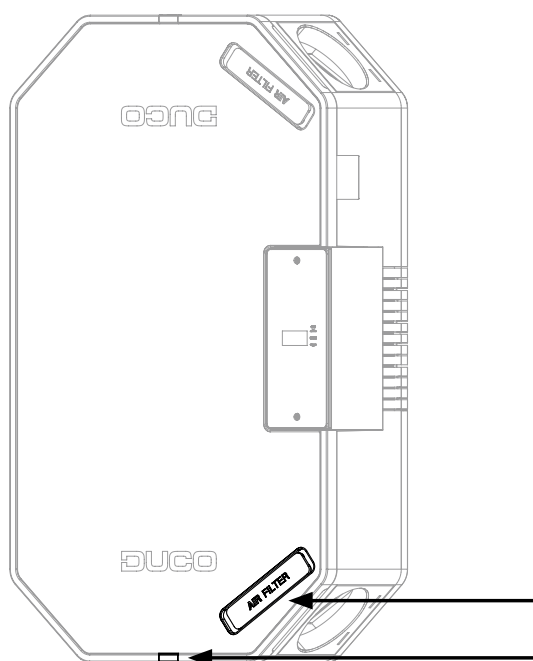
- **SETTINGS - FILTER - CLEAN FILTER**
- **SETTINGS - FILTER - REPLACE FILTER**



The DUCO filters are produced with the aim of having the most favourable impact on efficiency and power consumption. The use of filters other than those from DUCO can have an adverse effect on energy consumption, acoustics ...

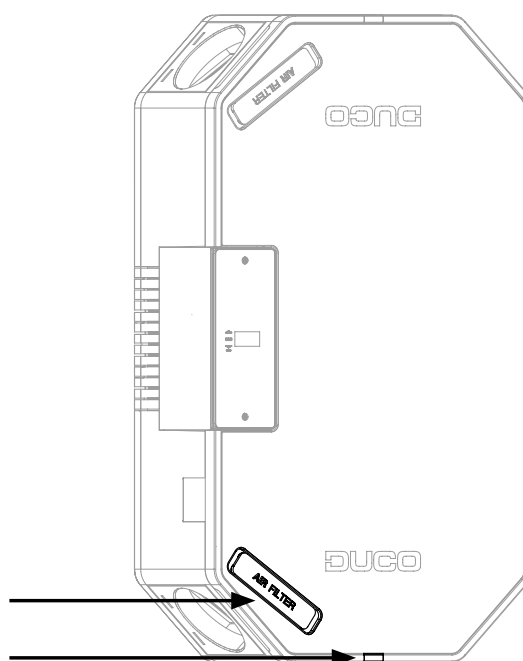
If a Coarse 65%/ ePM1 55% filter set is used, the ePM1 55% filter must be fitted in the supply stream (SUP). Pay close attention to the version of the unit (configuration 1 or configuration 2) - see illustration.

### Configuration 1

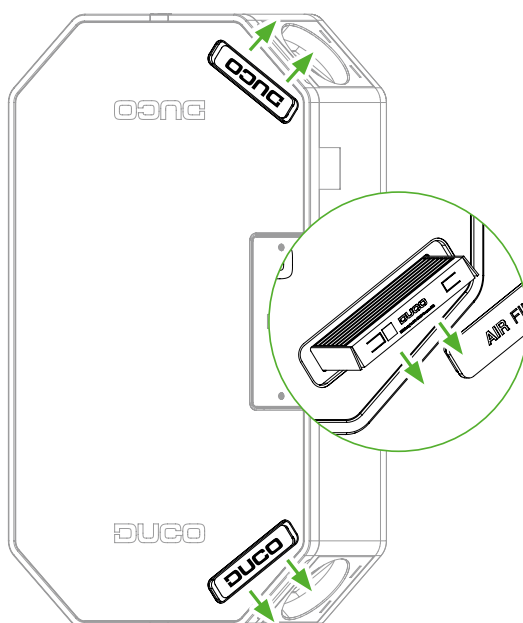


ePM1 55% filter  
drainage

### Configuration 2



When cleaning or replacing filters, it is recommended to always insert the filters back into the ventilation unit in the same direction. Make sure that the DUCO logo on the filter is always positioned in the reading direction of the spigot.






# 11 Warranty

All warranty conditions concerning the DucoBox and DUCO's ventilation systems can be found on the DUCO website. All complaints are to be reported to DUCO by the DUCO distributor with a clear description and the order/invoice number under which the products were delivered. To do so, please fill out the complaint registration form, found on the DUCO website, mentioning the serial number and send it to [service@duco.eu](mailto:service@duco.eu).

# 12 Legislation

Product fiche and energy labels can be consulted and downloaded at [www.duco.eu](http://www.duco.eu).

## Simplified EU declaration of conformity

 Hereby DUCO Ventilation & Sun Control declares that the radio equipment type DucoBox Energy Sky is in compliance with Directive 2014/53/EU.

The full text of the EU declaration of conformity is available at the following internet address:  
[en.duco.eu/ducobox-energy-sky](http://en.duco.eu/ducobox-energy-sky)

Frequency band	868.3 MHz
Maximum radio frequency power	0.4 dBm

**DUCO**