

# TECHNICAL DATA SHEET



Type	Preassembly DucoGrille Solid 30Z & DucoGrille Close 105																
DESCRIPTION	Pre-assembled installation combination of outer grille with adjustable grille																
SHAPE OF BLADE	EXTERNAL GRILLE      30Z punched blades (P1) height 21mm x width 2,5mm 30Z punched blades (P2) height 21mm x width 18mm controllable unit      DucoGrille Close 105 reinforced HD PVC blades																
TYPE OF EXTERNAL GRILLE	type G: recessed wall grille with flange type G-Large: recessed wall grille type with extended flange type G++: burglar-resistant wall grille, recessed type with flange Type F24: window grille for installation in window profile 24 mm type F28: window grille for installation in window profile 28 mm type F32: window grille for installation in window profile 32 mm type M++: burglar-resistant surface-mounted grille																
PITCH	EXTERNAL GRILLE      37,5 mm	controllable unit      91 mm															
EQUAL LEG OUTER FRAME	G: 18 mm	G-Large: 40 mm															
FRAME DEPTH	G, G-Large, F24, F28, F32: 146 mm      G++ / M++: 150 mm																
FREE AREA (open)	P1: 269 l/s/m <sup>2</sup> (@ 1 Pa)	P2: 386 l/s/m <sup>2</sup> (@ 1 Pa)															
AIRTIGHTNESS (CLOSED)	Qn50 = 0,79 m <sup>3</sup> /h*m																
INSULATION VALUE	U = < 1 W/m <sup>2</sup> K																
SOUND LEVEL ACTUATOR	< 35dB(A)																
MIN. DIMENSIONS	Length 258mm, Height 258mm (per mm). Depending on the width, see table below																
DIMENSIONS	See min. and max. dimensions in dimension table DGClose 105 G/G-Large      +26 mm G++      +40 mm F24, F28, F32      +80 mm M++      +92 mm																
MAX DIMENSIONS	Width 3000 mm, Height 3000 mm (depending on width, see dimensions table).																
FUNCTIONAL TEMPERATURE	-25 up till +60°C																
FIRE RESISTANCE	Blades: V0 (flame retardent) in accordance with UL94, M1 - NFP 92-501 Extra possibilities in combination with fire resistance internal/external grille																
REACTION TO FIRE	EXTERNAL GRILLE      A2-s1,d0 (EN13501-1 : 2018)																
MESH	P1: perforation as insect protection P2: perforation as bird protection - optionally with insect screen 2.3 x 2.3 mm - optional with bird mesh 6 x 6 mm																
CONTROL	Motorised, (see schedule motors for the opt NM24A)																
MATERIAL	Aluminium :      Al Mg Si 0,5 Thermoplastic parts :      Blade HD PVC																
SURFACE TREATMENT	-standard natural anodised (15-20µm) - polyester powder coated (60-80µm) according Qualicoat Seaside type A EXTERNAL GRILLE      - specific RAL codes and/or textured paint on request controllable unit      - black (RAL 9005 gloss 70)																
VISUAL FREE AREA	P1: 60% (Open) P2: 86% (Open)																
PHYSICAL FREE AREA	EXTERNAL GRILLE      P1: 34% EXTERNAL GRILLE      P2: 48% controllable unit      74% (Open)																
AIR FLOW DATA	<table border="1" style="width: 100%; border-collapse: collapse;"> <thead> <tr> <th style="background-color: #f2f2f2;">(EN13030)</th> <th style="background-color: #f2f2f2;">P1</th> <th style="background-color: #f2f2f2;">P2</th> </tr> </thead> <tbody> <tr> <td style="background-color: #f2f2f2;">Ce</td> <td>0,229</td> <td>0,299</td> </tr> <tr> <td style="background-color: #f2f2f2;">K-factor intake</td> <td>19,07</td> <td>11,19</td> </tr> <tr> <td style="background-color: #f2f2f2;">Cd</td> <td>0,241</td> <td>0,299</td> </tr> <tr> <td style="background-color: #f2f2f2;">K-factor exhaust</td> <td>17,22</td> <td>11,19</td> </tr> </tbody> </table>		(EN13030)	P1	P2	Ce	0,229	0,299	K-factor intake	19,07	11,19	Cd	0,241	0,299	K-factor exhaust	17,22	11,19
(EN13030)	P1	P2															
Ce	0,229	0,299															
K-factor intake	19,07	11,19															
Cd	0,241	0,299															
K-factor exhaust	17,22	11,19															

<b>WATER RESISTANCE</b>
-------------------------

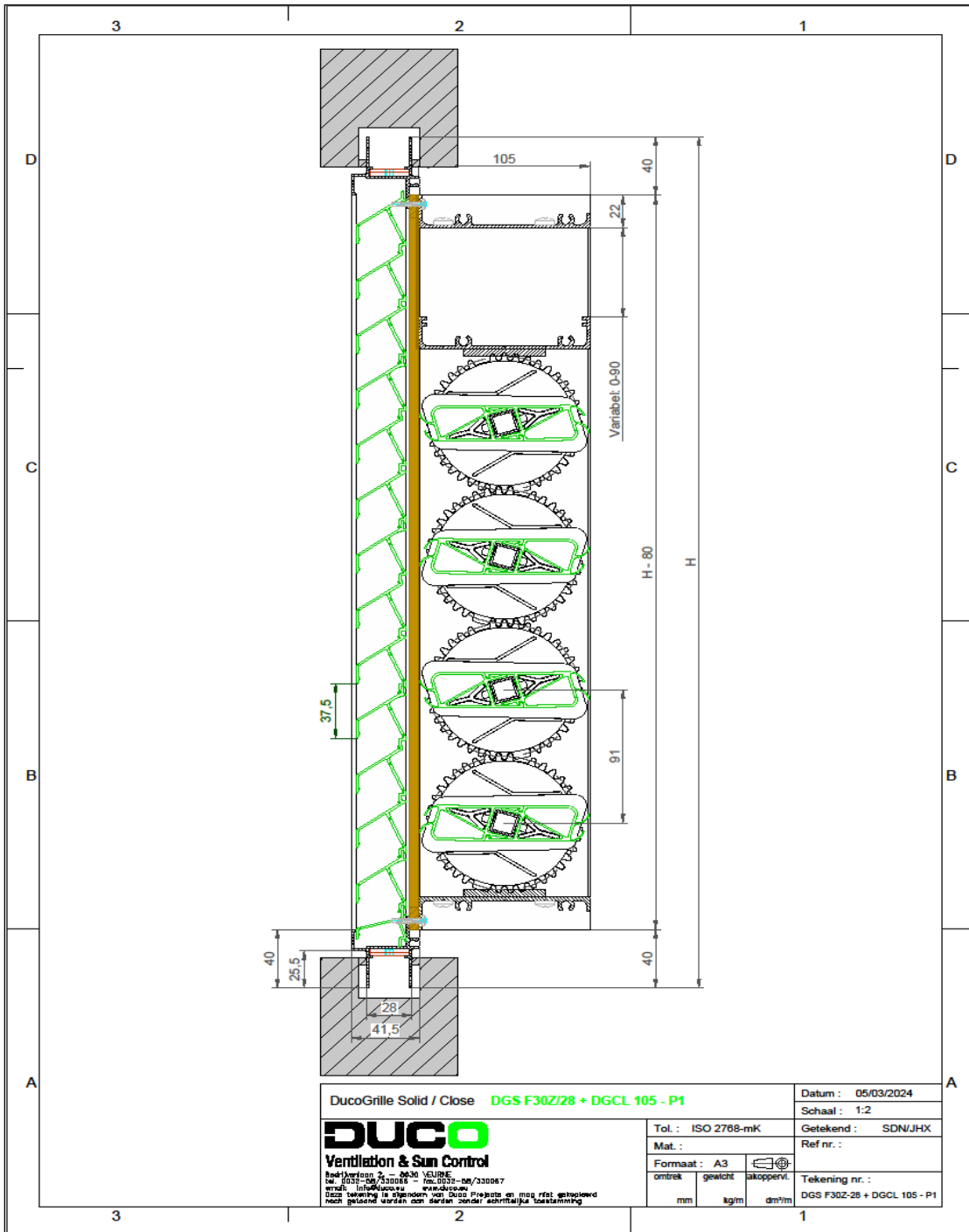
(EN13030)	standard
v = 0 m/s	A
v = 0,5 m/s	A
v = 1 m/s	B
v = 1.5 m/s	C
v = 2 m/s	C
v = 2.5 m/s	D
v = 3 m/s	D
v = 3,5 m/s	D

<b>ACOUSTIC SPECS</b>
(Open)
(Closed)

(Open)	Rw(C;C <sub>tr</sub> ) = 3(0;-1) dB			(Closed)	Rw(C;C <sub>tr</sub> ) = 21(-2;-2) dB	
125 Hz	250 Hz	500 Hz	1000 Hz	2000 Hz	4000 Hz	
1,4 dB	2,4 dB	3,1 dB	2,2 dB	2,6 dB	2,7 dB	
13,7 dB	14,6 dB	16,5 dB	20,9 dB	23,2 dB	29,8 dB	

<b>COOLING CAPACITY</b>
(per m <sup>2</sup> in combination with exterior and interior grille)

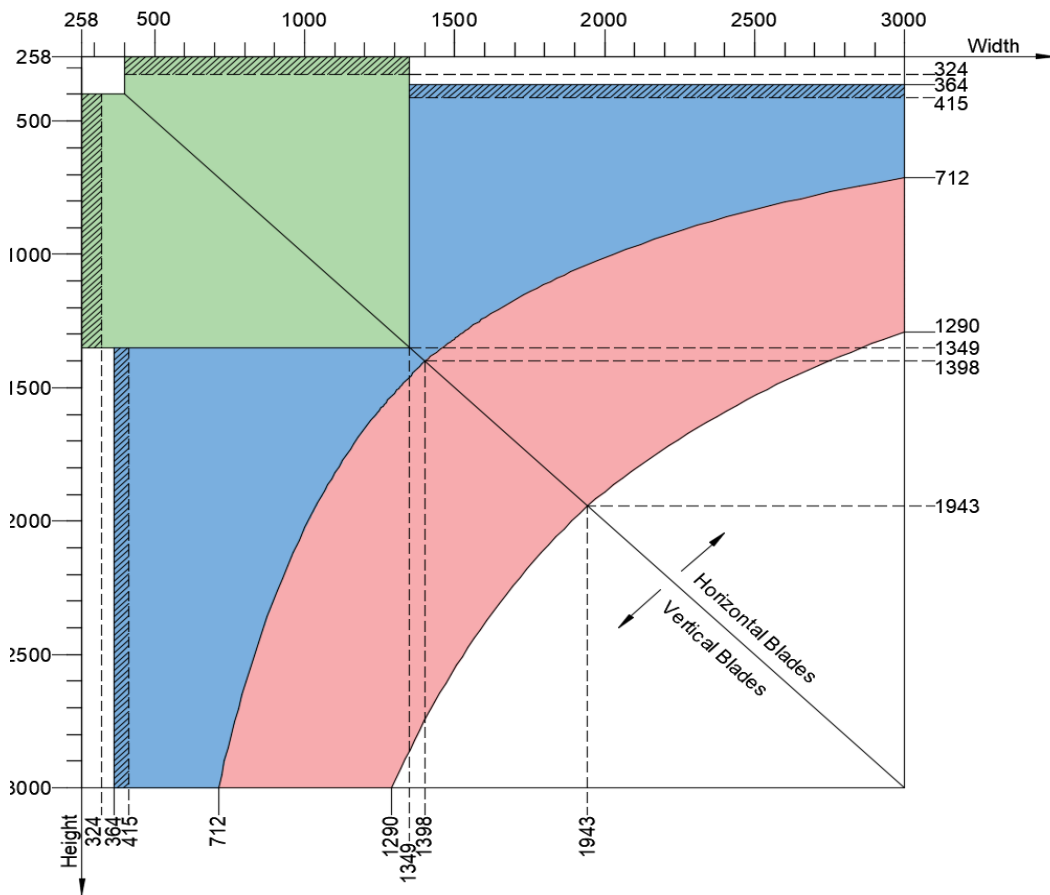
type	airflow (l/s)	capacity (kW)
Single sided natural ventilation (ΔT=6K)	29,5	0,21
Cross flow natural ventilation (v=3m/s)	180,9	1,31
Stack natural ventilation (Δh=6m)	217	1,57



DucoGrille Solid / Close <b>DGS F30Z/28 + DGCL 105 - P1</b>		Datum : 05/03/2024
<b>DUCO</b> Ventilation & Sun Control		Schaal : 1:2
<small>Bedrijfsnaam: 2 - 0630 VEURE          tel. 0630-26530066 - fax. 0630-26530067          email: info@duco.nl www.duco.nl          Deze tekening is vervaardigd op basis van een foto afgeleverd door de afnemer van de afnemer, zonder aansprakelijkheid.</small>		Getekend : SDN/JHX
<small>Tol. : ISO 2768-mK</small> <small>Mat. :</small> <small>Formaat : A3</small>		Ref nr. :
<small>ontk.</small>	<small>gewicht</small>	<small>akoppert.</small>
<small>mm</small>	<small>kg/m</small>	<small>dm<sup>2</sup>/m</small>
		Tekening nr. : DGS F30Z-28 + DGCL 105 - P1

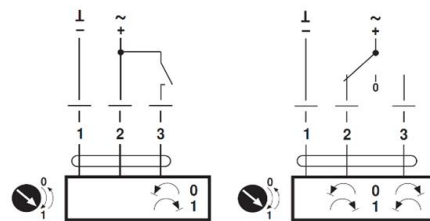
Actuator table:

Motortype		Power supply		Art. Nr.
Regular	Time-Controlled	NM24A	3,5W – 0,15A – AC/DC 24V	G0100705
		NM230A	5,5W – 24mA – AC 230V	G0100763
	Modulating (0)2...10V	NM24A-SR	4,0W – 0,17A – AC/DC 24V	G0100728
NM230ASR		6,5W – 28mA – AC 230V	G0100762	
Spring Return	Open-Close	NF24A	8,5W – 0,35A – AC/DC 24V	G0100718
		NFA	9,5W – 0,4A ... 40mA / 0,4A ... 76mA AC 24...240V / DC 24...125V	G0100764
	Modulating (0)2...10V	NF24A-SR	5,5W – 24mA – AC/DC 24V	G0100729

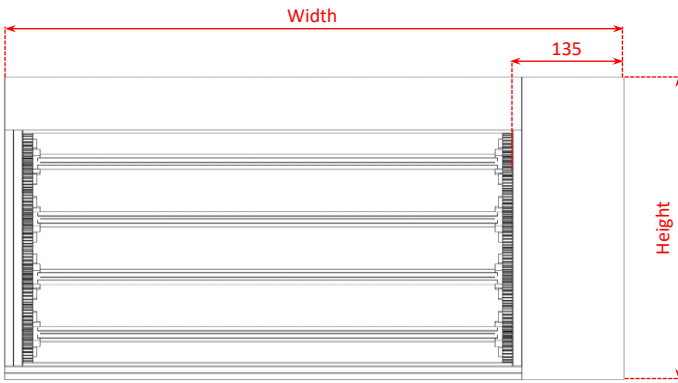


	No spring return actuator possible
	Side actuator
	Centered actuator
	Double actuator

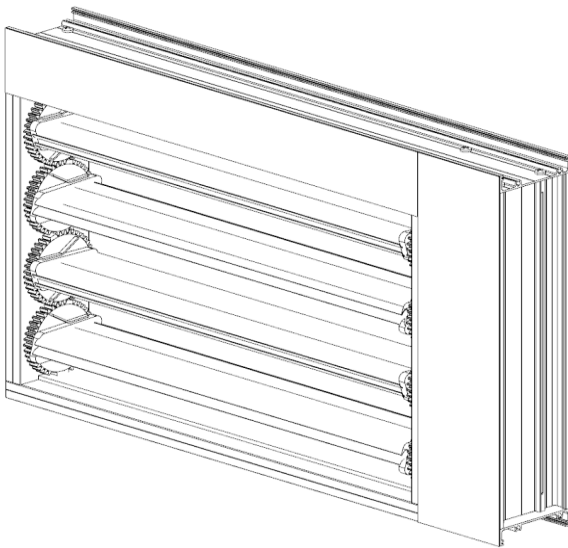
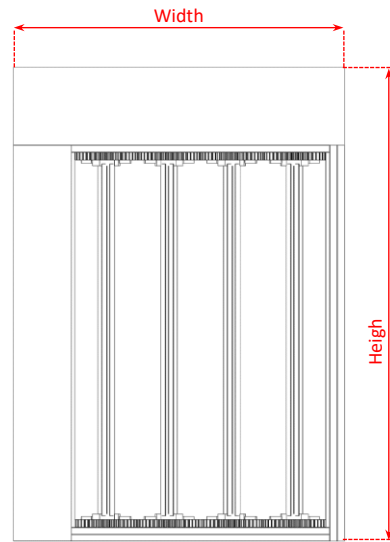
AC/DC 24 V, open-close      AC/DC 24 V, 3-point



Cable colours:  
1 = black  
2 = red  
3 = white

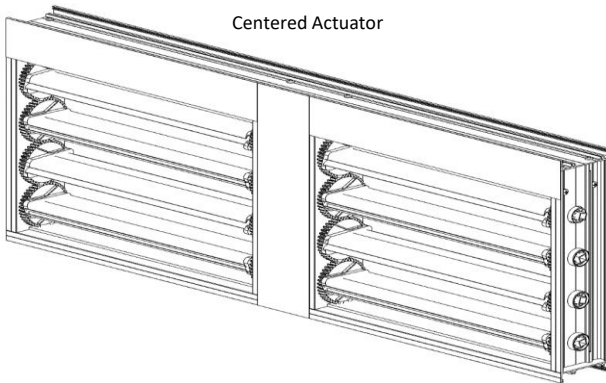
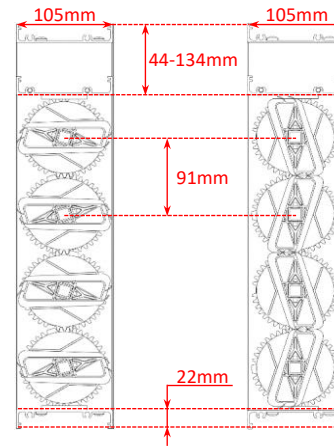


Side Actuator



Centered Actuator

Doorsnede open      Doorsnede dicht



Double Actuator

