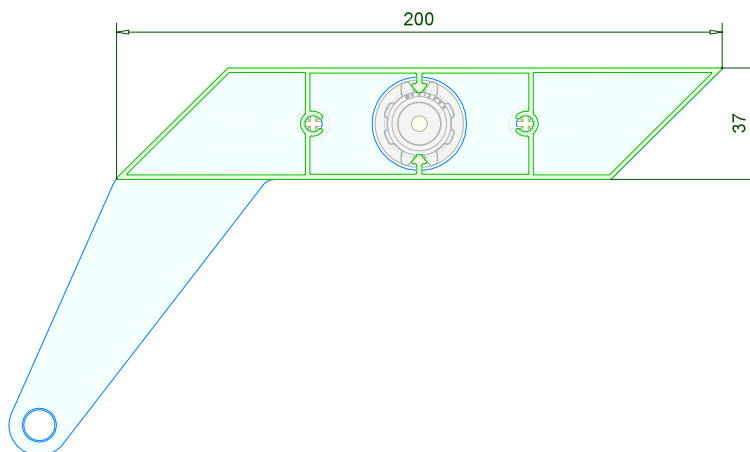


TECHNICAL DATA SHEET



TYPE	DucoSun Linear 200 - Moveable
DESCRIPTION	External permanent solar shading system with motorized adjustable blades
SHAPE OF BLADE	Blade in the form of a parallelogram
DIMENSIONS	200 mm x 37 mm
MATERIAL	Aluminium : EN AW-6063 T66 (EN 573-3) Profile thickness : min. 1,5 mm
ANGLE OF BLADE	0° → 90°
PITCH OF BLADE	170 mm
MIN. SYSTEM HEIGHT	1330 mm (determined by motor installation length) If a smaller height is desired, the feasibility must be checked per project.
MAX. SPAN	3150 mm @ 800Pa
COVERPLATES	Aluminium lasered coverplates - thickness 5 mm (AlMgSi0,5)
FIXATION BLADE	Self-tapping countersunk bolt M6x30 DIN7500-MZ (AISI 304)
FIXATION COVERPLATE	Between Duco mullion 60/100
ACTUATOR	Elero - Picolo XL P / IP65 / 230VAC-50Hz / 0,55A / 126W
REACTION TO FIRE	A2-s1,d0 (EN13501-1)
SURFACE TREATMENT	- Standard aluminium anodised (15-20µm) according Qualanod - Polyester powder coated (60-80µm) according Qualicoat Seaside type A

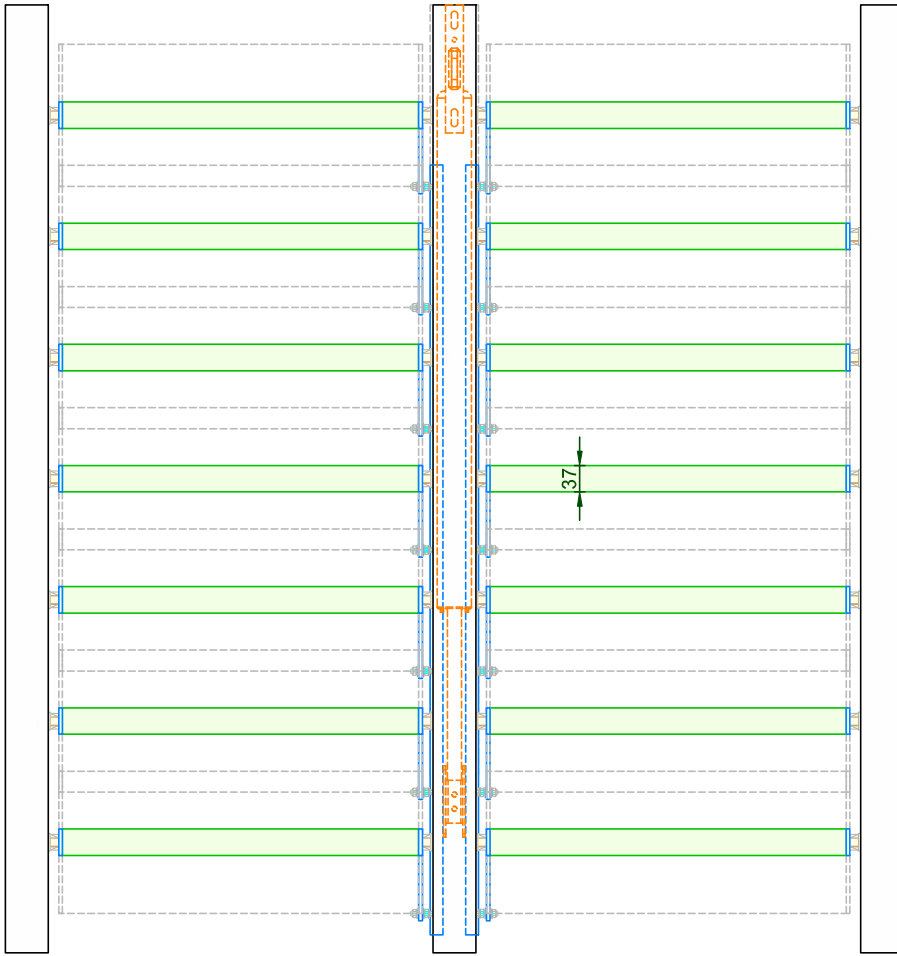


3

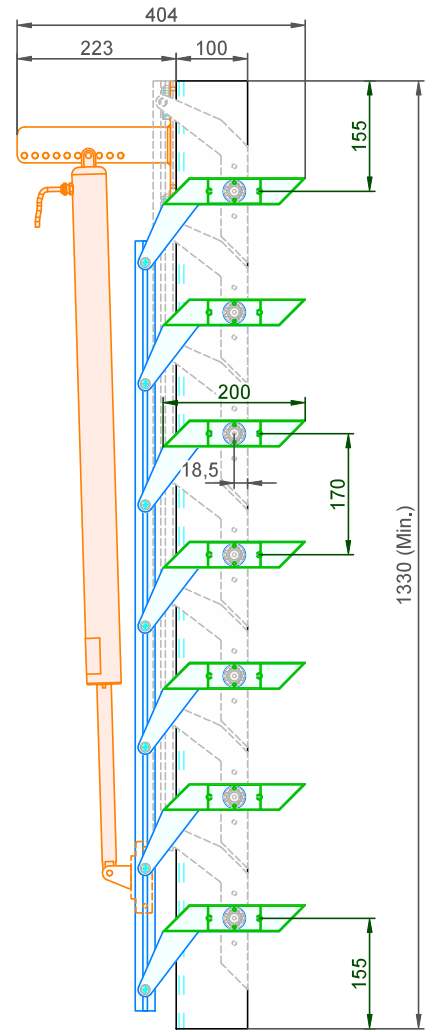
2

1

D



D

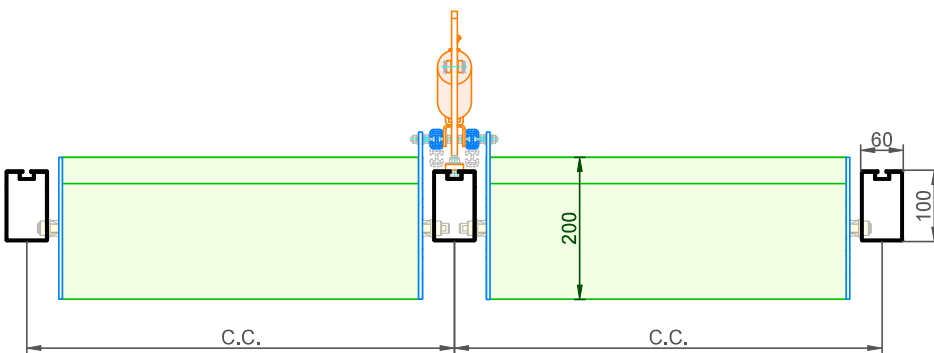


C

C

B

B



A

A

DucoSun **Linear 200** Moveable

Date : 17/06/2024

Scale: 1/7,5

DUACO
Ventilation & Sun Control

Bedrijvenlaan 2 - 8630 VEURNE
tel. 0032-58/330066 - fax.0032-58/330067
email: info@duco.eu www.duco.eu

This drawing is the property of Duco Projects NV and cannot be copied or shown to a third party without prior written authorisation from Duco Projects NV.

Tol. : ISO 2768-mK

Draftsman: JHX

Mat. :

Ref nr. :

Format : A3



outline:

weight:

coat. surf:

Drawing nr. :

mm

kg/m

dm²/m

TF_Linear 200_CP-Mo

3

2

1