

# TECHNICAL DATA SHEET



| Type                            | <b>DucoGrille Solid++ G30Z</b>  |                            |
|---------------------------------|---|----------------------------|
| <b>DESCRIPTION</b>              | Reinforced louvre grille with punched blades.   |                            |
| <b>SHAPE OF BLADE</b>           | 30Z punched blades (P1) height 21mm x width 2,5mm   |                            |
| <b>PITCH</b>                    | 37,5 mm   |                            |
| <b>FRAME WIDTH</b>              | 45 mm   |                            |
| <b>EQUAL LEG OUTER FRAME</b>    | 15 mm   |                            |
| <b>FRAME DEPTH</b>              | 42 mm   |                            |
| <b>MIN. DIMENSIONS</b>          | Width 200mm, Height 200mm. Exception on request.  |                            |
| <b>REACTION TO FIRE</b>         | A2-s1,d0 (EN13501-1)  |                            |
| <b>MESH</b>                     | Aluminium extrusions are perforated and act as insect mesh  |                            |
| <b>BURGLAR RESISTANCE CLASS</b> | Class 2 (EN 1627:2011 - EN1630:2011)  |                            |
| <b>DRIP TRAY PROFILE</b>        | extra drip tray on the back of the frame possible as an option  |                            |
| <b>MATERIAL</b>                 | Aluminium : EN AW-6063 T66 (EN 573-3)<br>Profile thickness : min. 1,5mm   |                            |
| <b>SURFACE TREATMENT</b>        | <ul style="list-style-type: none"> <li>- standard aluminium anodised (15-20µm) according Qualanod</li> <li>- polyester powder coated (60-80µm) according Qualicoat Seaside type A</li> <li>- specific RAL codes and/or textured paint on request</li> </ul> |                            |
| <b>VISUAL FREE AREA</b>         | 60% per meter of punching   |                            |
| <b>PHYSICAL FREE AREA</b>       | 34%   |                            |
| <b>AIR FLOW DATA</b>            | (EN13030)   | standard                   |
|                                 | Ce  | 0,243                      |
|                                 | K-factor intake   | 16,94                      |
|                                 | Cd  | 0,234                      |
|                                 | K-factor exhaust  | 18,26                      |
| <b>WATER RESISTANCE</b>         | (EN13030)   | standard                   |
|                                 | v = 0 m/s   | B                          |
|                                 | v = 0,5 m/s   | C                          |
|                                 | v = 1 m/s   | C                          |
|                                 | v = 1.5 m/s   | D                          |
|                                 | v = 2 m/s   | D                          |
|                                 | v = 2.5 m/s   | D                          |
|                                 | v = 3 m/s   | D                          |
|                                 | v = 3,5 m/s   | D                          |
| <b>IMPACT RESISTANCE</b>        | EN13049   | Class 5                    |
|                                 | NF P08-302  | Class H2/C2                |
| <b>FALL-TROUGH PROTECTION</b>   | B03-004   | Class C4                   |
|                                 | NEN-EN1991-1-1  | Class A/B/F/G              |
|                                 | NF P01-013  | Class A/B (Width < 600 mm) |
|                                 | BS6180  | Class XI                   |

3

2

1

D

D

C

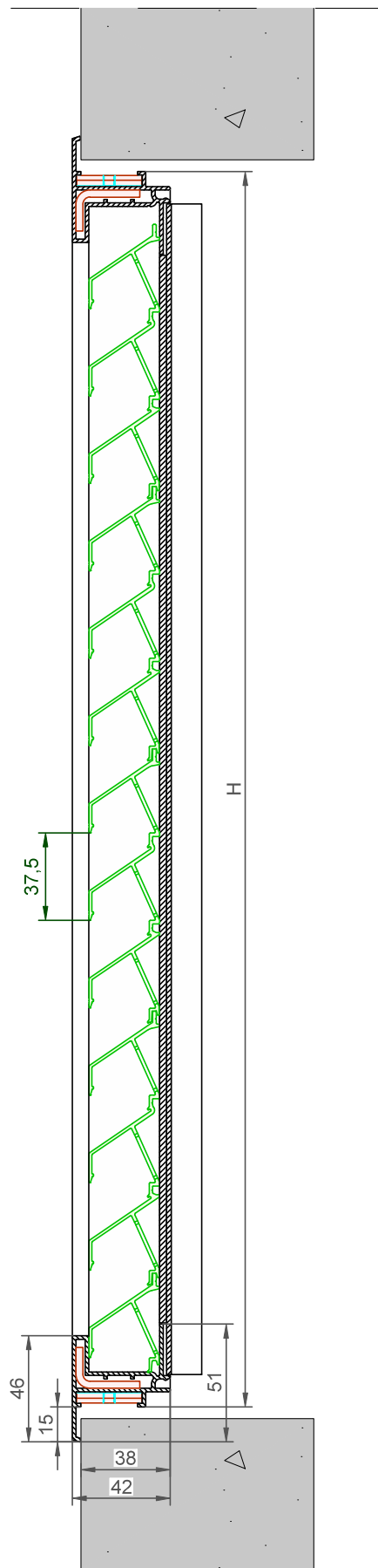
C

B

B

A

A

DucoGrille Solid++ **G30Z - P1**

Datum : 31/10/2023

Schaal : 1:2

**DUCO**  
Ventilation & Sun Control

Bedrijvenlaan 2 - 8630 VEURNE  
tel. 0032-58/330066 - fax.0032-58/330067  
email: info@duco.eu www.duco.eu  
Deze tekening is eigendom van Duco Projects en mag niet gekopieerd  
noch getoond worden aan derden zonder schriftelijke toestemming

Tol. : ISO 2768-mK

Getekend : SDN/JHX

Mat. :

Ref nr. :

Formaat : A3



omtrek

gewicht

lakoppervl.

Tekening nr. :

mm

kg/m

dm²/m

**DGS++-G30Z-P1**

3

2

1

3

2

1

D

D

C

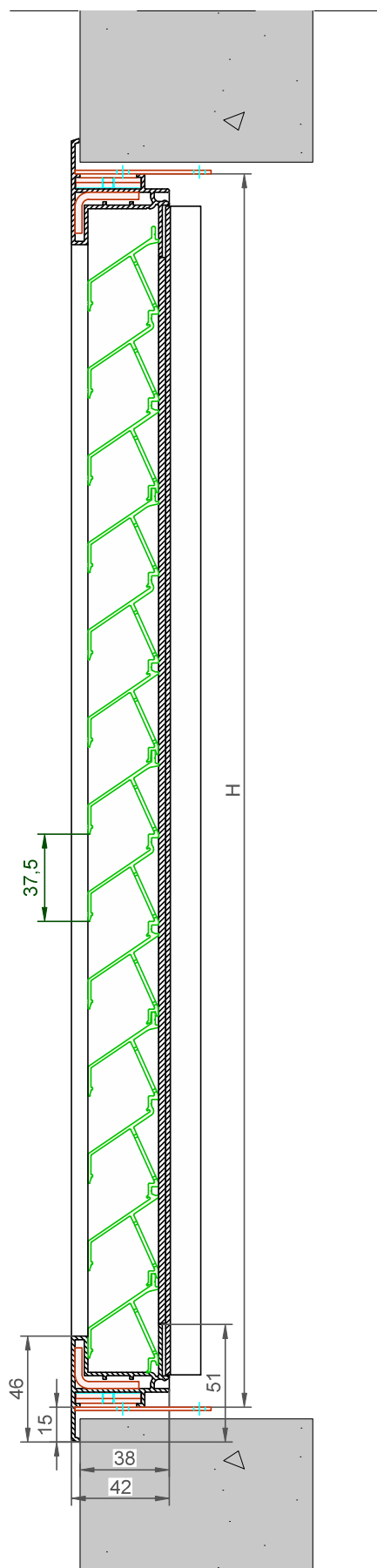
C

B

B

A

A



DucoGrille Solid++ **G30Z - P1 - Korte doken**

Datum : 29/02/2024

Schaal : 1:2

**DUCO**  
Ventilation & Sun Control

Bedrijvenlaan 2 - 8430 VEURNE  
tel. 0032-58/330066 - fax.0032-58/330067  
email: info@duco.eu www.duco.eu  
Deze tekening is eigendom van Duco Projects en mag niet gekopieerd  
noch getoond worden aan derden zonder schriftelijke toestemming

Tol. : ISO 2768-mK

Getekend : SDN/JHX/RTN

Mat. :

Ref nr. :

Formaat : A3



omtrek

gewicht

lakoppervl.

Tekening nr. :

mm

kg/m

dm²/m

DGS++-G30Z-P1-Korte Doken

3

2

1