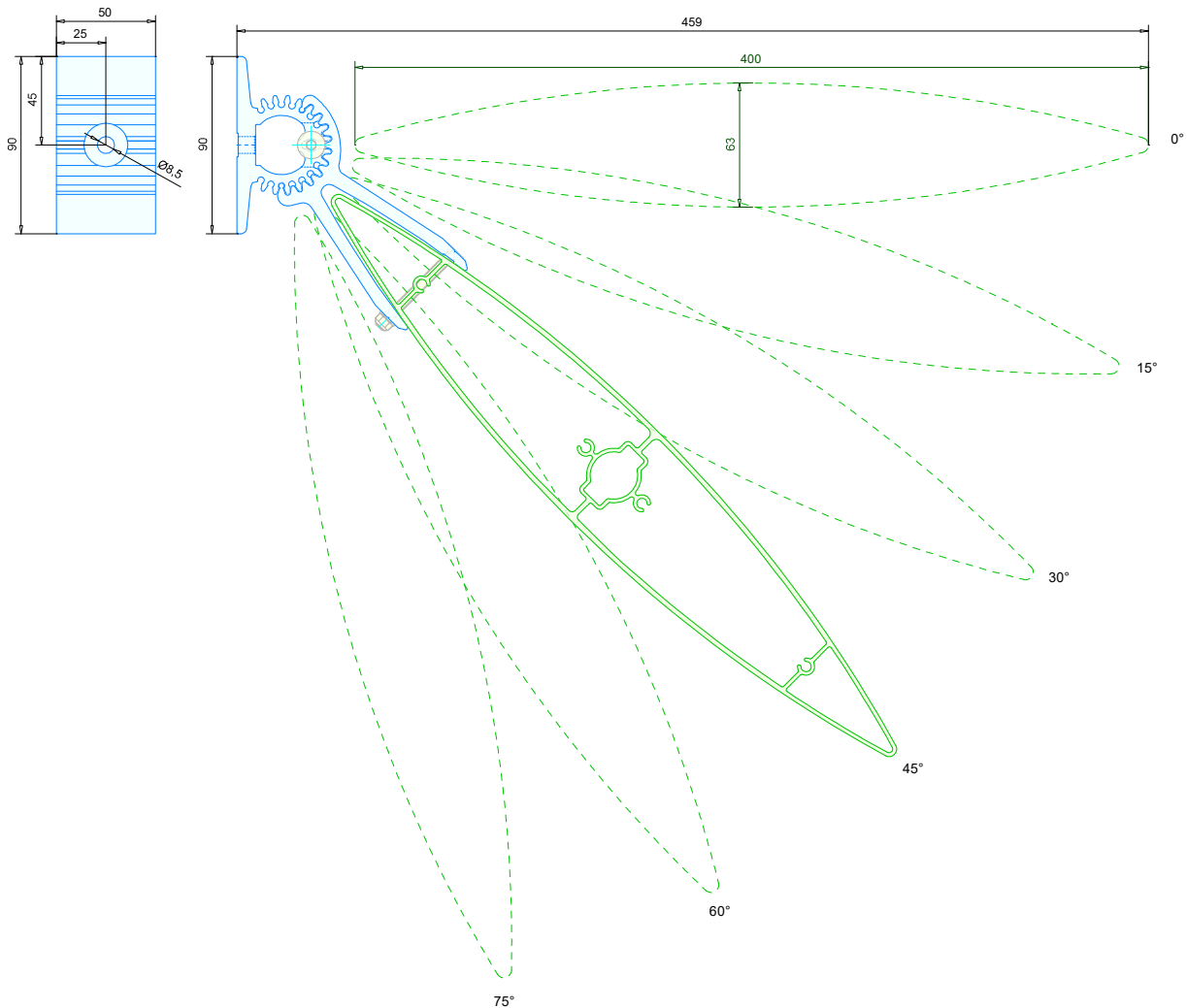


TECHNICAL DATA SHEET



TYPE	DucoSun Ellips 300 - MULTIFIT
DESCRIPTION	External permanent solar shading system with fixed blades
SHAPE OF BLADE	Blade with elliptical cross-section
DIMENSIONS	400 mm x 63 mm
MATERIAL	Aluminium : EN AW-6063 T66 (EN 573-3) Profile thickness : min. 1,5 mm
ANGLE OF BLADE	0° / 15° / 30° / 45° / 60° / 75°
PITCH OF BLADE (S)	To be determined according to project
MAX. SPAN	1600 mm @ 800Pa
COVERPLATES	Aluminium lasered coverplates - thickness 3 mm (AlMgSi0,5)
MULTIFIT	Aluminium extruded bracket - width 50 mm (EN AW6063-T66 (F25))
FIXATION BLADE	Countersunk bolt M5x55 DIN7991 (AISI 304), through blade
FIXATION COVERPLATE	Self-tapping countersunk bolt M6x30 DIN7500-MZ (AISI 304)
FIXATION MULTIFIT	On Duco mullion or directly against the underlying structure. (Ø8,5)
REACTION TO FIRE	A2-s1,d0 (EN13501-1)
SURFACE TREATMENT	- Standard aluminium anodised (15-20µm) according Qualanod - Polyester powder coated (60-80µm) according Qualicoat Seaside type A



3

2

1

D

D

C

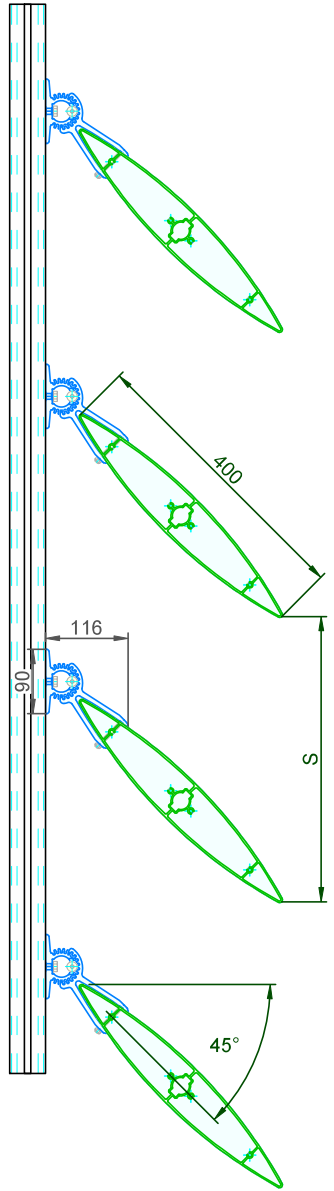
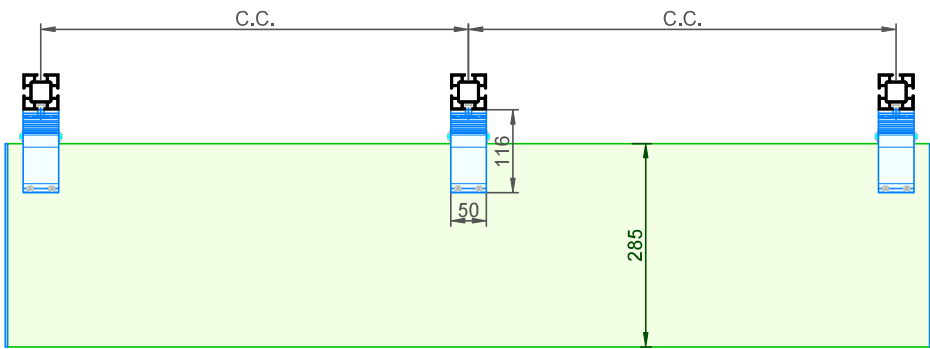
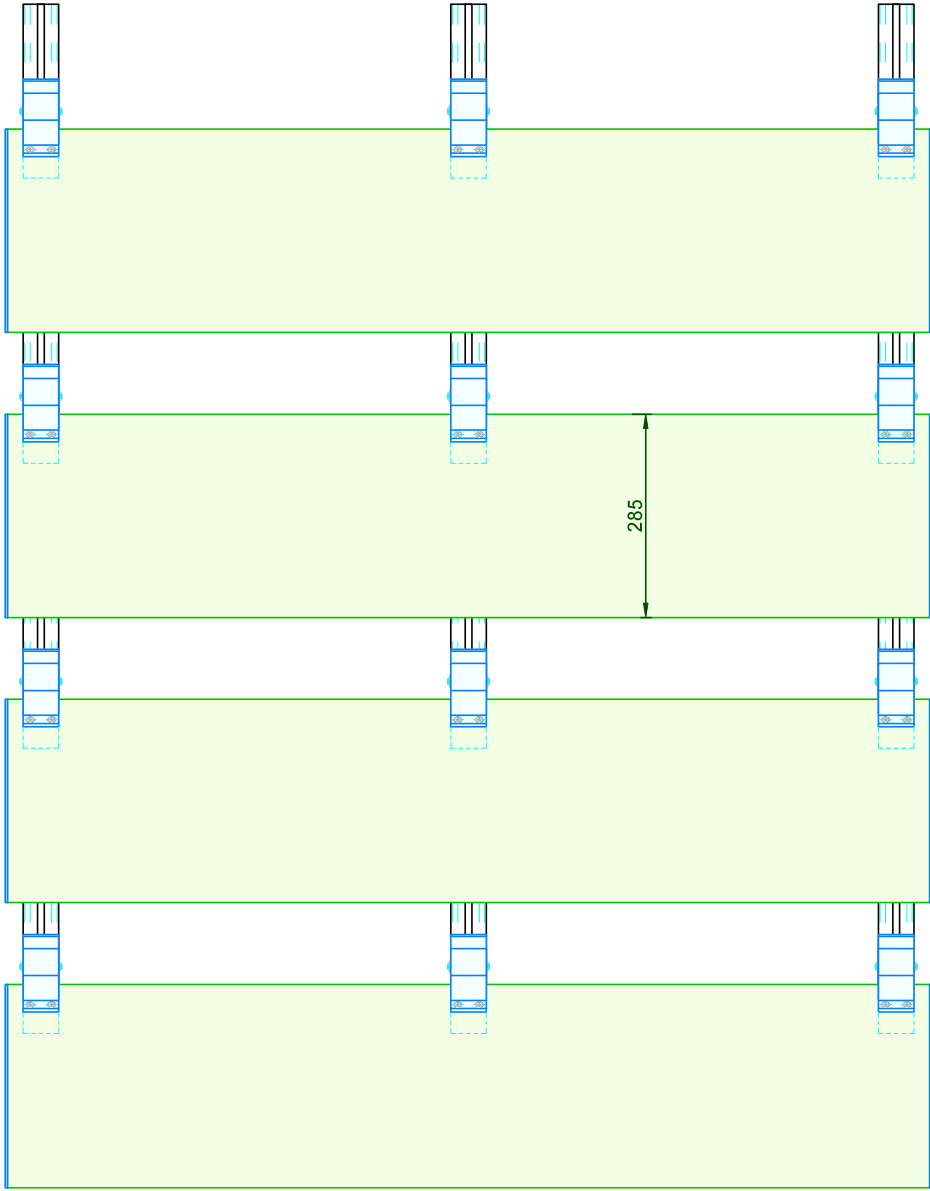
C


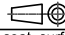
B

B

A

A



DucoSun Ellips 400 Multifit - 45°			Date : 28/06/2024	
 Ventilation & Sun Control			Scale: 1/7,5	
<small> Bedrijvenlaan 2, - 8630 VEURNE tel. 0032-58/330066 - fax.0032-58/330067 email: info@duco.eu www.duco.eu This drawing is the property of Duco Projects NV and cannot be copied or shown to a third party without prior written authorisation from Duco Projects NV. </small>			Draftsman: JHX	
Tol. : ISO 2768-mK		Ref nr. :		
Mat. :		Drawing nr. :		
Format : A3				
outline:	weight:	coat. surf:	TF_Ellips 400_MF	
mm	kg/m	dm²/m		

3

2

1