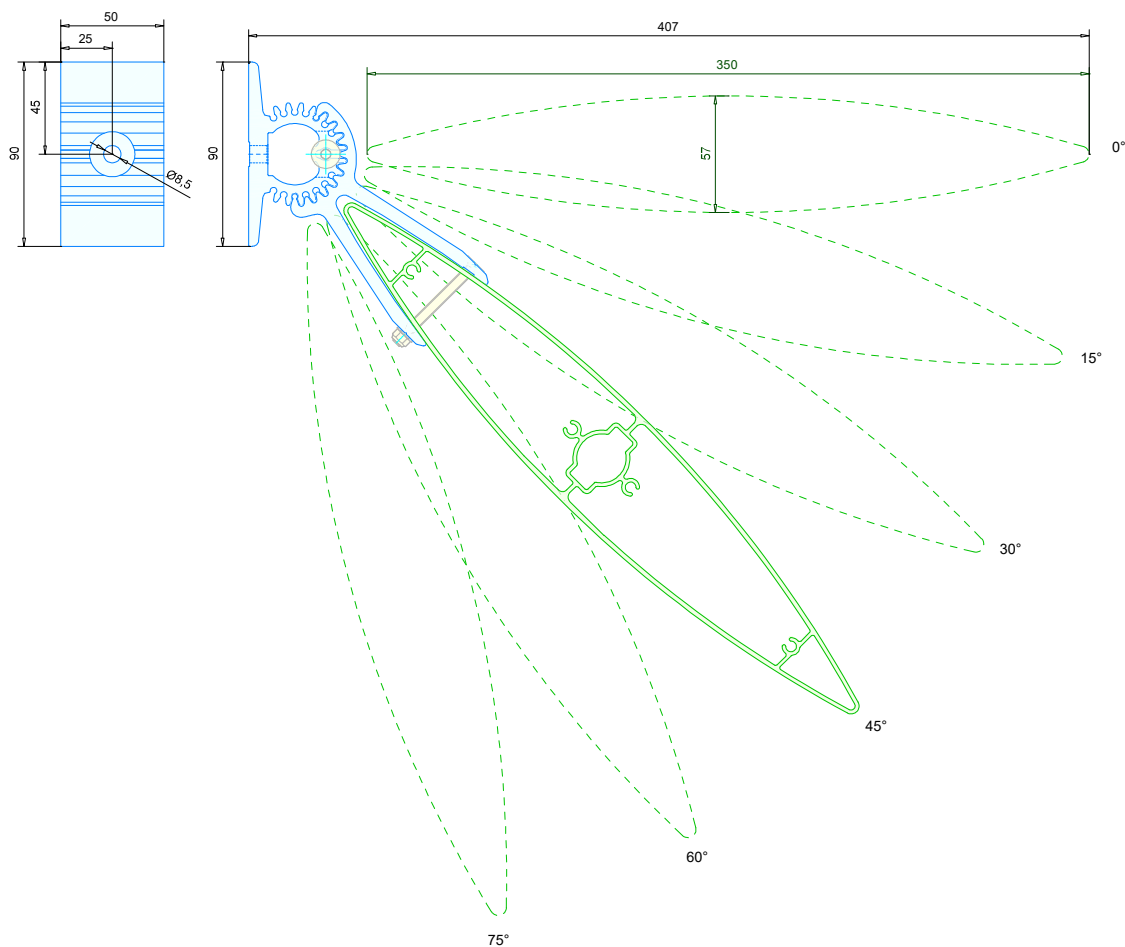


# TECHNICAL DATA SHEET



<b>TYPE</b>	<b>DucoSun Ellips 350 - MULTIFIT</b>
<b>DESCRIPTION</b>	External permanent solar shading system with fixed blades
<b>SHAPE OF BLADE</b>	Blade with elliptical cross-section
<b>DIMENSIONS</b>	350 mm x 57 mm
<b>MATERIAL</b>	Aluminium : EN AW-6063 T66 (EN 573-3) Profile thickness : min. 1,5 mm
<b>ANGLE OF BLADE</b>	0° / 15° / 30° / 45° / 60° / 75°
<b>PITCH OF BLADE (S)</b>	To be determined according to project
<b>MAX. SPAN</b>	2050 mm @ 800Pa
<b>COVERPLATES</b>	Aluminium lasered coverplates - thickness 3 mm (AlMgSi0,5)
<b>MULTIFIT</b>	Aluminium extruded bracket - width 50 mm (EN AW6063-T66 (F25))
<b>FIXATION BLADE</b>	Countersunk bolt M5x55 DIN7991 (AISI 304), through blade
<b>FIXATION COVERPLATE</b>	Self-tapping countersunk bolt M6x30 DIN7500-MZ (AISI 304)
<b>FIXATION MULTIFIT</b>	On Duco mullion or directly against the underlying structure. (Ø8,5)
<b>REACTION TO FIRE</b>	A2-s1,d0 (EN13501-1)
<b>SURFACE TREATMENT</b>	- Standard aluminium anodised (15-20µm) according Qualanod - Polyester powder coated (60-80µm) according Qualicoat Seaside type A

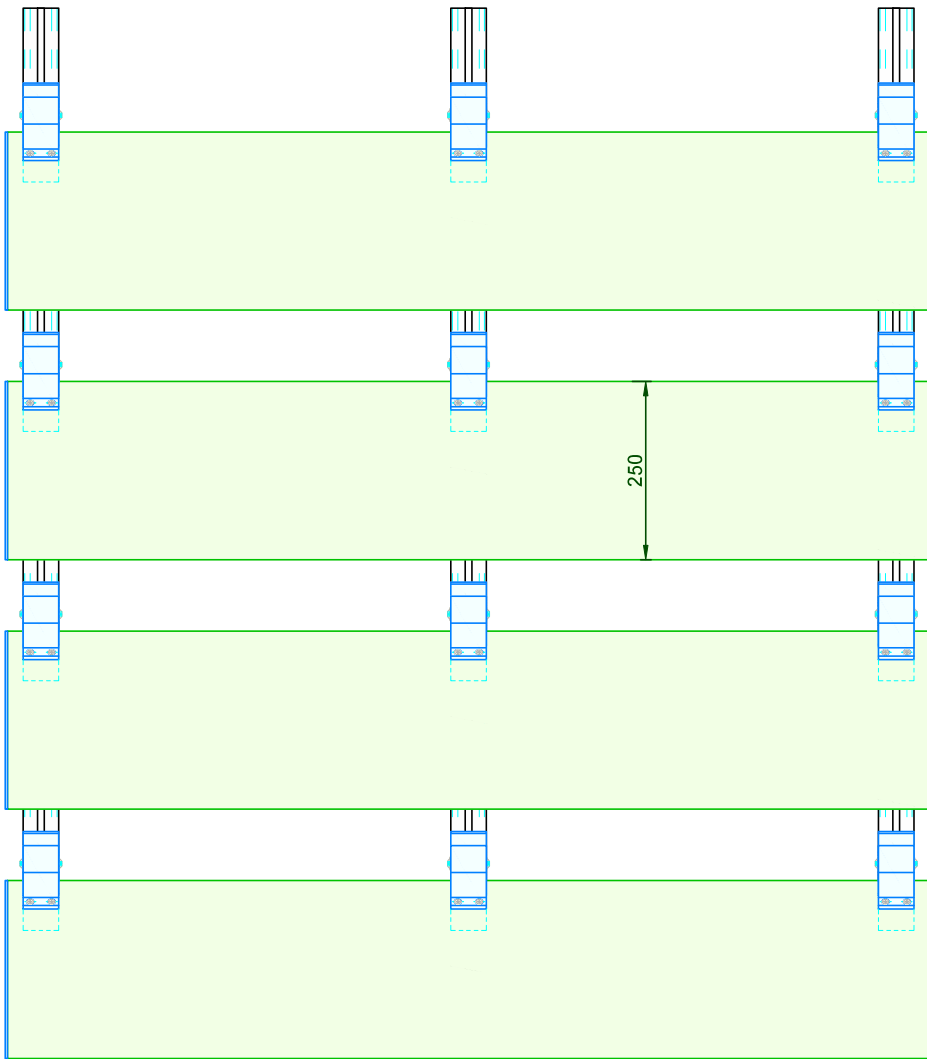


3

2

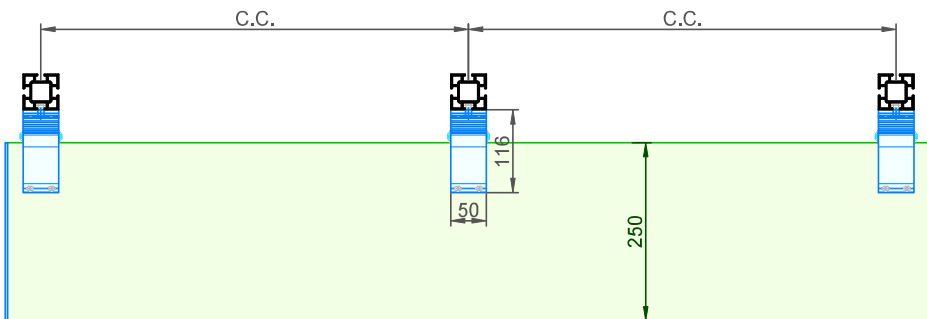
1

D



C

B



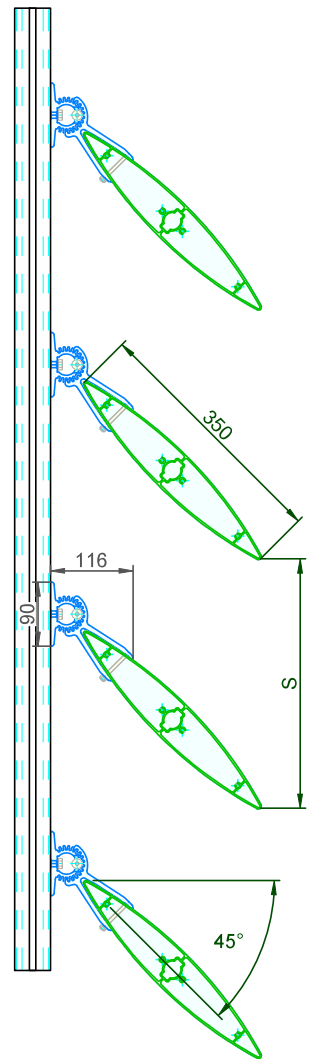
A

D

C

B

A



DucoSun **Ellips 350** Multifit - 45°

Date : 28/06/2024

Scale: 1/7,5

**DUCO**  
**Ventilation & Sun Control**

Bedrijvenlaan 2 - 8630 VEURNE  
 tel. 0032-58/330066 - fax.0032-58/330067  
 email: info@duco.eu www.duco.eu

This drawing is the property of Duco Projects NV and cannot be copied or shown to a third party without prior written authorisation from Duco Projects NV.

Tol. : ISO 2768-mK

Draftsman: JHX

Mat. :

Ref nr. :

Format : A3



outline:

weight:

coat. surf:

Drawing nr. :

TF\_Ellips 350\_MF

mm

kg/m

dm<sup>2</sup>/m

3

2

1