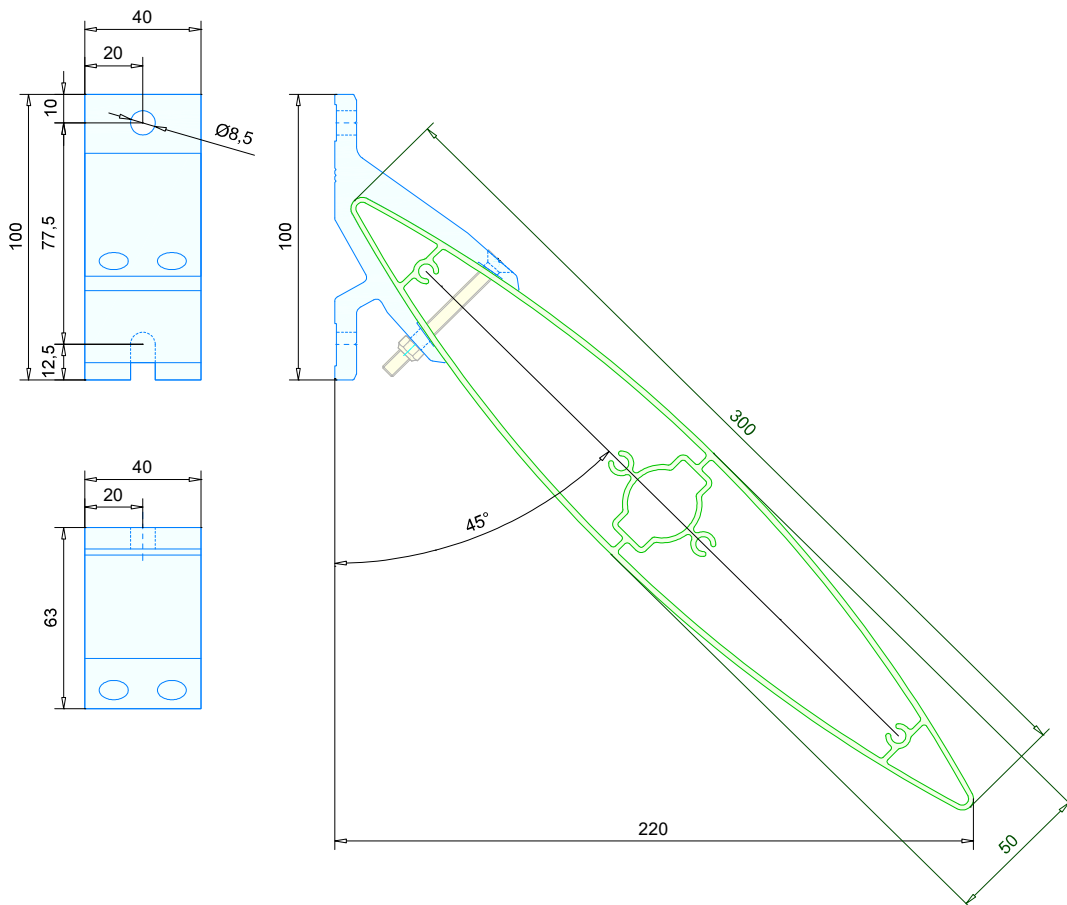


TECHNICAL DATA SHEET



TYPE	DucoSun Ellips 300 - UNIFIT 45°
DESCRIPTION	External permanent solar shading system with fixed blades
SHAPE OF BLADE	Blade with elliptical cross-section
DIMENSIONS	300 mm x 50 mm
MATERIAL	Aluminium : EN AW-6063 T66 (EN 573-3) Profile thickness : min. 1,5 mm
ANGLE OF BLADE	45°
PITCH OF BLADE (S)	To be determined according to project
MAX. SPAN	4650 mm @ 800Pa
COVERPLATES	Aluminium lasered coverplates - thickness 3 mm (AlMgSi0,5)
UNIFIT	Aluminium extruded bracket - width 40 mm (EN AW6063-T66 (F25))
FIXATION BLADE	Countersunk bolt M5x55 DIN7991 (AISI 304), through blade
FIXATION COVERPLATE	Self-tapping countersunk bolt M6x30 DIN7500-MZ (AISI 304)
FIXATION UNIFIT	On Duco mullion or directly against the underlying structure. (Ø8,5)
REACTION TO FIRE	A2-s1,d0 (EN13501-1)
SURFACE TREATMENT	- Standard aluminium anodised (15-20µm) according Qualanod - Polyester powder coated (60-80µm) according Qualicoat Seaside type A



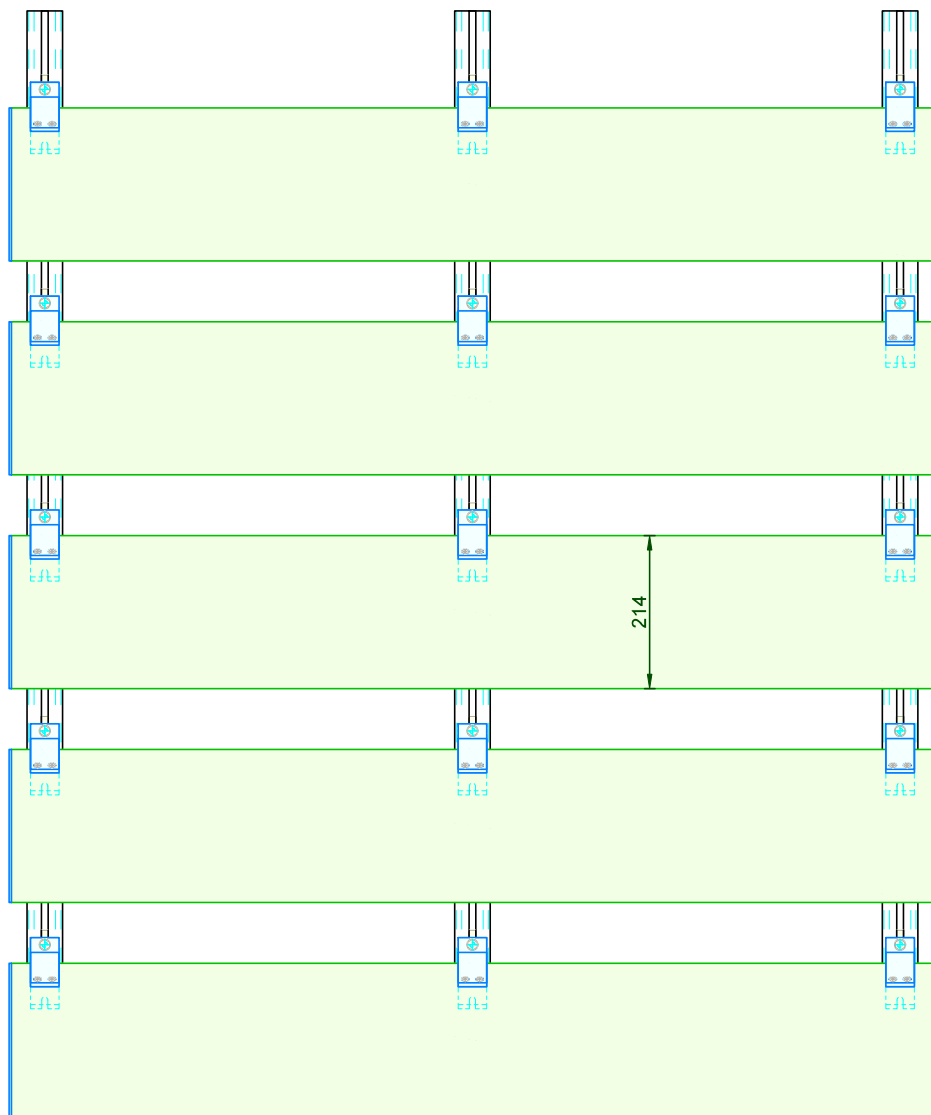
3

2

1



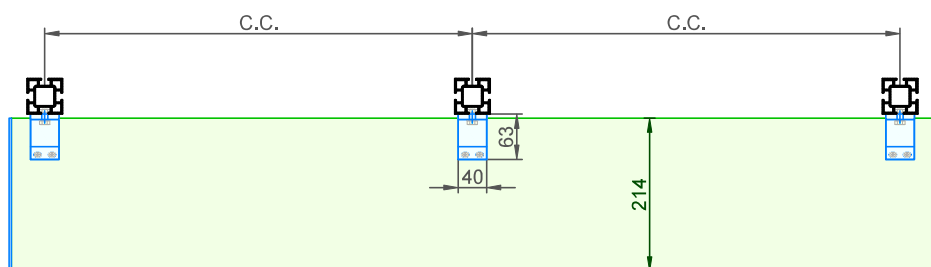
D



C

B

A

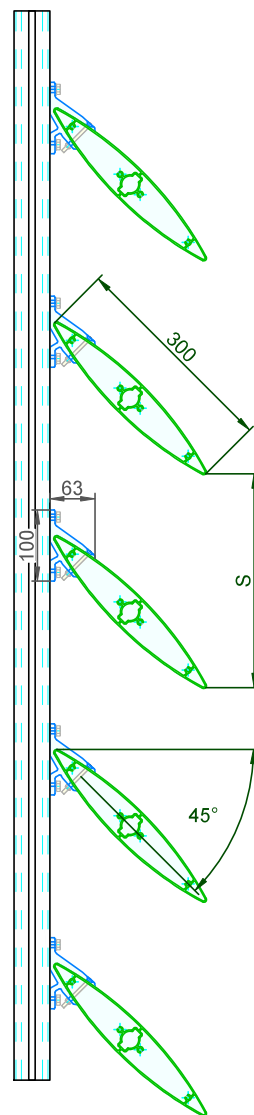


D

C

B

A



DucoSun **Ellips 300** Unifit - 45°

Date : 17/06/2024

Scale: 1/7,5

DUCO
Ventilation & Sun Control

Bedrijvenlaan 2 - 8630 VEURNE
tel. 0032-58/330066 - fax.0032-58/330067
email: info@duco.eu www.duco.eu

This drawing is the property of Duco Projects NV and cannot be copied or shown to a third party without prior written authorisation from Duco Projects NV.

Tol. : ISO 2768-mK

Draftsman: JHX

Mat. :

Ref nr. :

Format : A3



outline:

weight:

coat. surf:

Drawing nr. :

mm

kg/m

dm²/m

TF_Ellips 300_UF-45

3

2

1