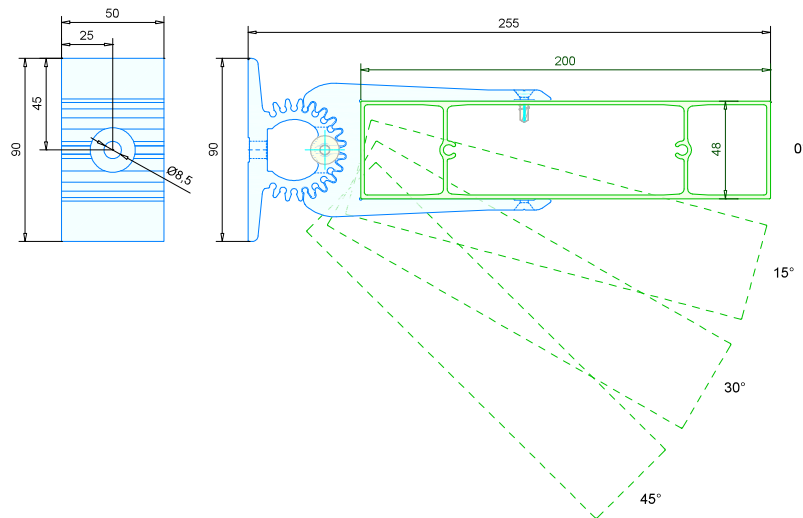


# TECHNICAL DATA SHEET



<b>TYPE</b>	<b>DucoSun Cubic 200x48 Light - MULTIFIT</b>
<b>DESCRIPTION</b>	External permanent solar shading system with fixed blades
<b>SHAPE OF BLADE</b>	Rectangular louvre blade
<b>DIMENSIONS</b>	200 mm x 48 mm
<b>MATERIAL</b>	Aluminium : EN AW-6063 T66 (EN 573-3) Profile thickness : min. 1,5 mm
<b>ANGLE OF BLADE</b>	0° / 15° / 30° / 45°
<b>PITCH OF BLADE (S)</b>	To be determined according to project
<b>MAX. SPAN</b>	4550 mm @ 800Pa
<b>COVERPLATES</b>	Aluminium lasered coverplates - thickness 3 mm (AlMgSi0,5)
<b>MULTIFIT</b>	Aluminium extruded bracket - width 50 mm (EN AW6063-T66 (F25))
<b>FIXATION BLADE</b>	Countersunk bolt M5x55 DIN7991 (AISI 304), through blade
<b>FIXATION COVERPLATE</b>	Self-tapping countersunk bolt M6x30 DIN7500-MZ (AISI 304)
<b>FIXATION MULTIFIT</b>	On Duco mullion or directly against the underlying structure. (Ø8,5)
<b>REACTION TO FIRE</b>	A2-s1,d0 (EN13501-1)
<b>SURFACE TREATMENT</b>	- Standard aluminium anodised (15-20µm) according Qualanod - Polyester powder coated (60-80µm) according Qualicoat Seaside type A



3

2

1

D

D

C

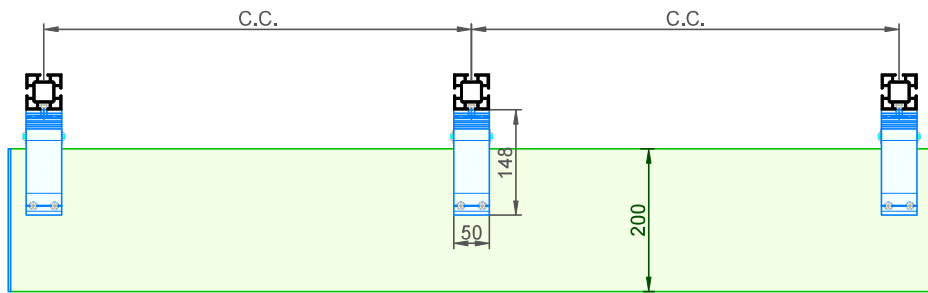
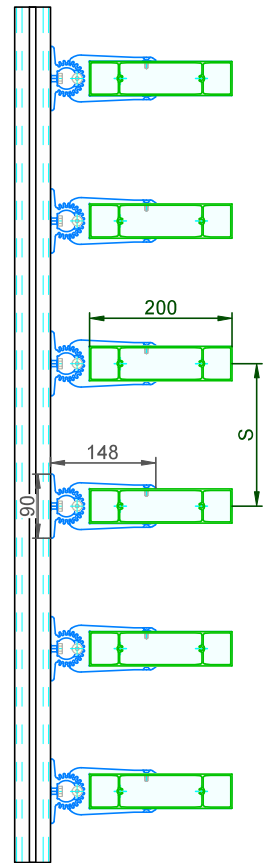
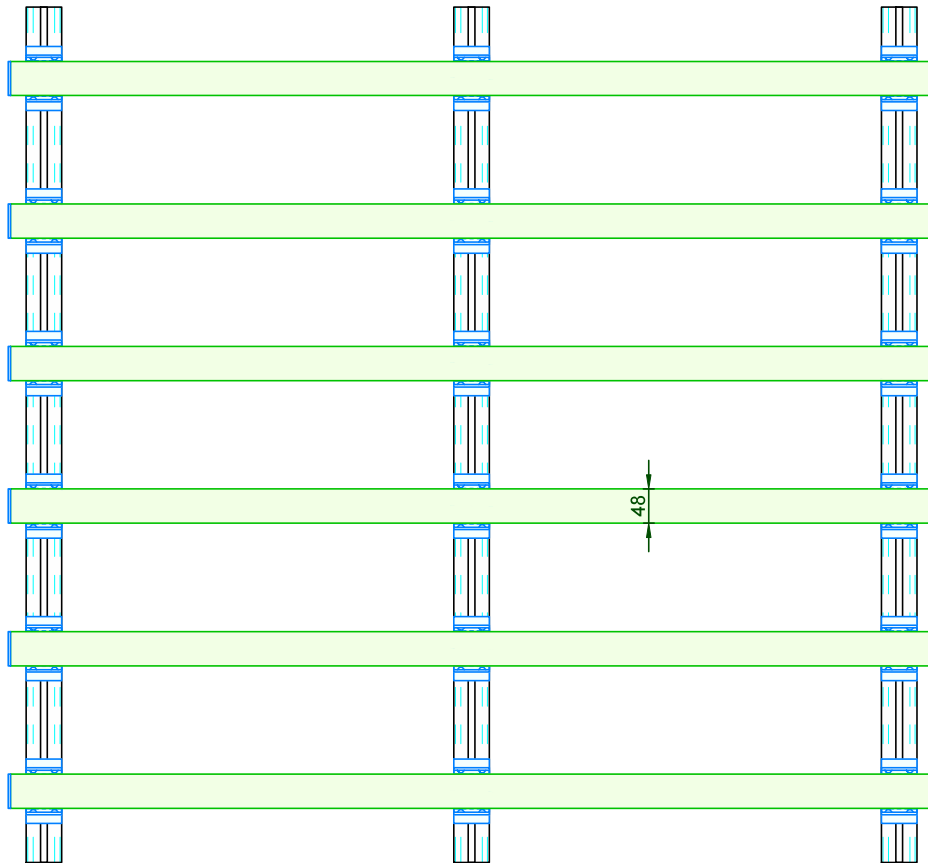
C


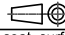
B

B

A

A



DucoSun <b>Cubic 200x48 Light</b> Multifit - 0°			Date : 28/06/2024		
			Scale: 1/7,5		
<b>Ventilation &amp; Sun Control</b>			Draftsman: JHX		
<small>           Bedrijvenlaan 2, - 8630 VEURNE            tel. 0032-58/330066 - fax.0032-58/330067            email: info@duco.eu www.duco.eu            This drawing is the property of Duco Projects NV and cannot be copied or shown to a third party without prior written authorisation from Duco Projects NV.         </small>			Ref nr. :		
Tol. : ISO 2768-mK		Format : A3		Drawing nr. :	
outline:	weight:	coat. surf:	TF_Cubic 200x48 Light_MF		
mm	kg/m	dm²/m			

3

2

1