

Fitting instructions

FireMax EI 30 SR

12/09/2024

Maximum dimensions

The FireMax EI 30 SR may be fitted with the following maximum dimensions

	Max. glass width	Max. glass height
Door	885,5 mm	2137,5 mm
Window 1	1114,5 mm	2292 mm
Window 2	737 mm	2266 mm
Window 3	866,5 mm	1149,5 mm

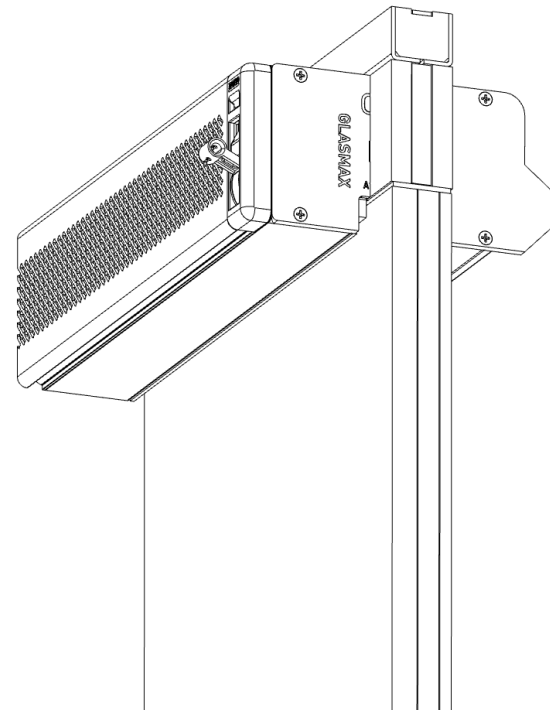
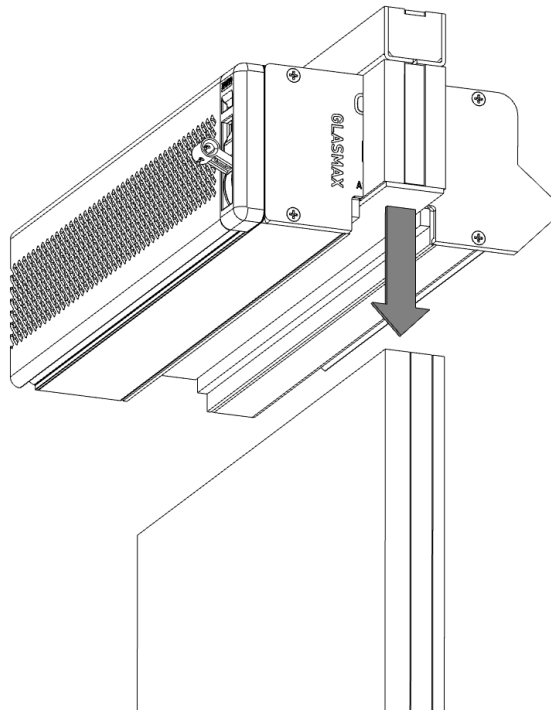
- The minimum overall size of the window ventilator is 300 mm
- The subtraction of glass height is 92 mm

Fire resistance

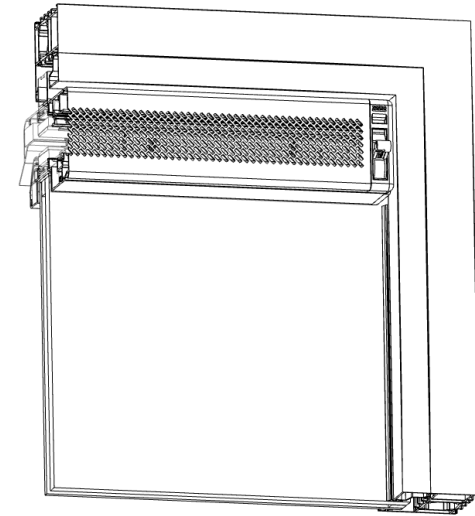
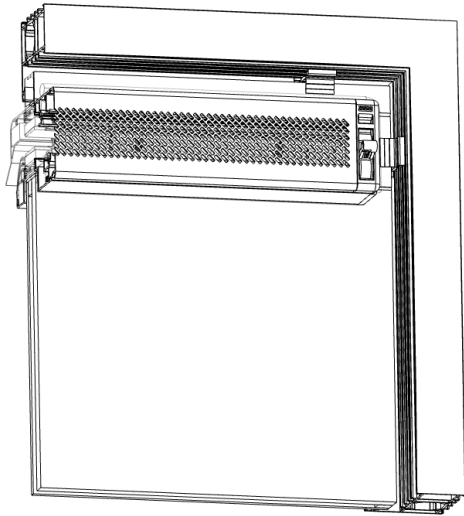
The FireMax EI 30 SR must be fitted in combination with the following frame profile and glass to achieve the desired class

Frame profile	Glass	Class
MasterLine 8	Vetrotech Contraflam Lite 30 	EW30
MasterLine 8	Vetrotech Contraflam 30 	EW30 + EI30

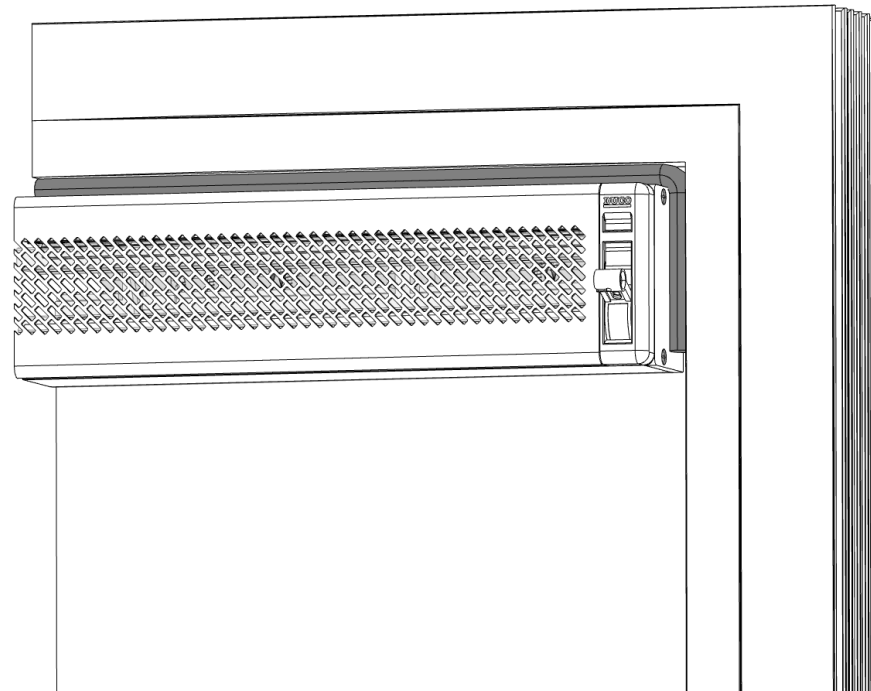
Fitting of FireMax EI 30 SR on glass



Fitting of FireMax EI 30 SR + glass (glazing bars) in aluminium window



Sealing of FireMax EI 30 SR with fire-resistant cord



Sealing inside & outside of FireMax EI 30 SR with Firestop 700

