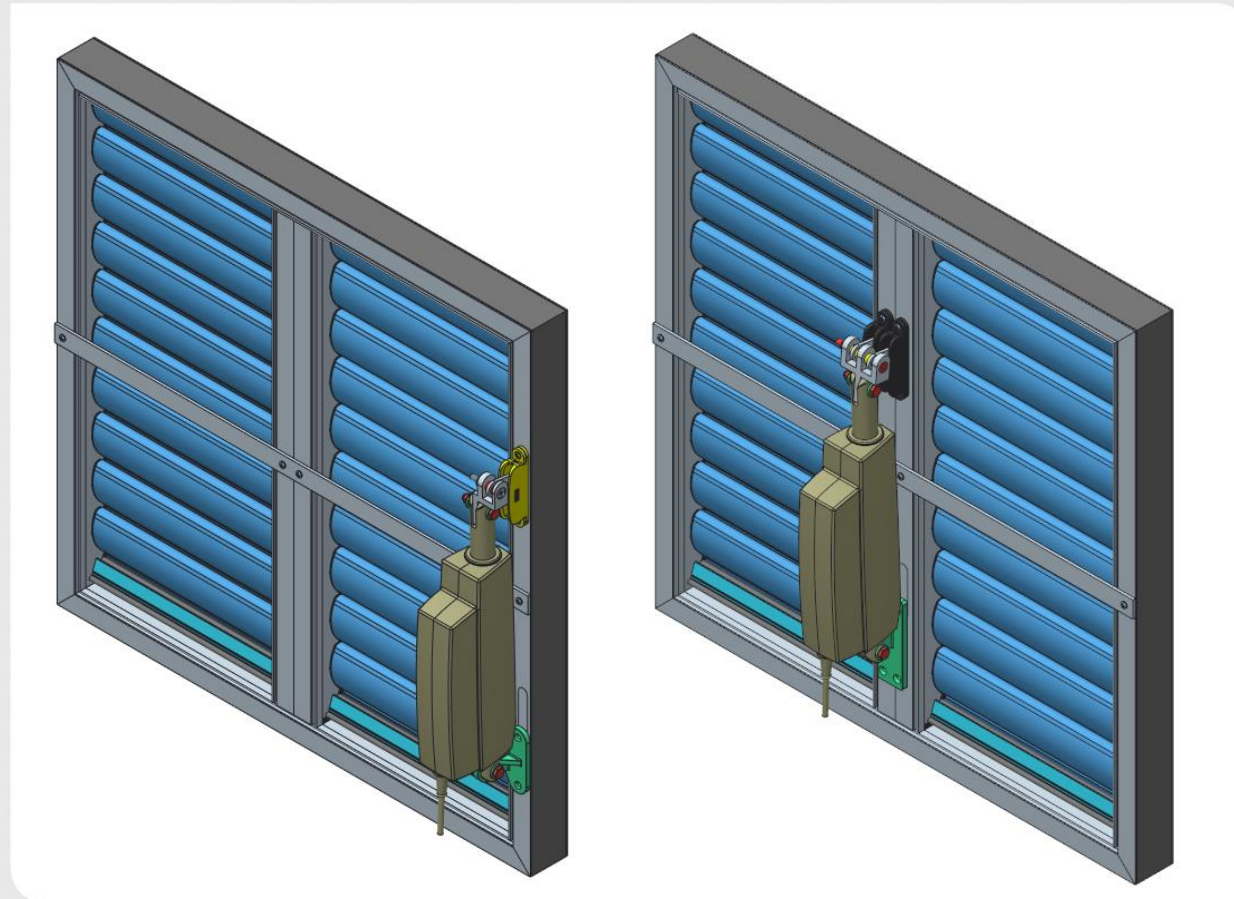


Mounting instructions

DucoGrille Close 35 motorised

1/07/2024



CONTENTS

0. Safety instructions
1. Parts list
2. Dimensions
3. Mounting
4. Specifications and connection diagrams

0 Safety instructions



Safety instructions – Read before installation



WARNING: Important safety instructions. Always follow all instructions, as incorrect installation can lead to serious personal injury. Keep these instructions.



Electrically operated grilles pose a crush injury risk for parts of the body.

Make sure that the moving parts of this product cannot be reached by the user:

- ensure there is a minimum distance of 2.5 m between the bottom of the product and the floor,
- screen off the moving parts: mount a grille on the outside and opt for mosquito-resistant mesh inside.

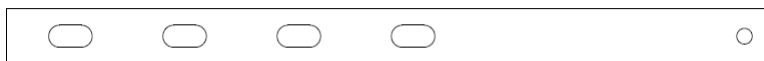


Switch off the power when carrying out maintenance or repairs to the product.

1 Parts list

Fixing lug, DucoClose 35Z+

G0009681



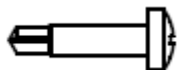
Blind rivet Ø3x6

G0000061



Self-drilling screw 3.5x16 DIN 7504

G0000080



DucoGrille Close 35 motorised is available with different frames and in different sizes:

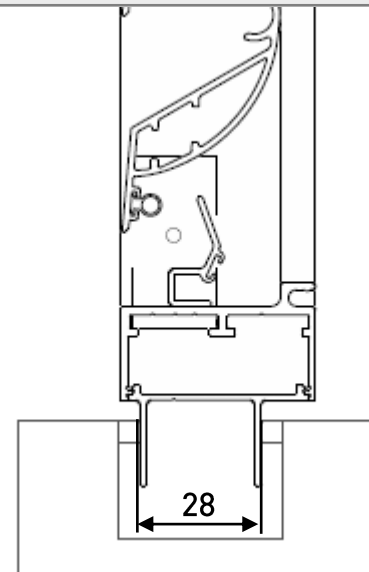
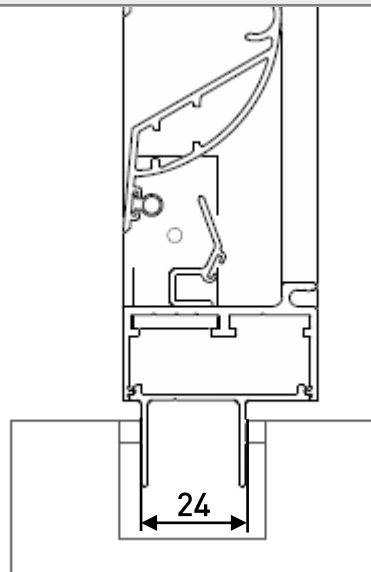
- Width
 - Minimum, per table
 - Per mm
- Height
 - Minimum, per table
 - In 50 mm steps
- Overall dimensions (Width x Height)
 - 3000 x 773.5 mm
 - 800 x 2473.5 mm

For a G grille or an N grille, allow an opening in the wall that is at least 10 mm larger in height and width than the grille.

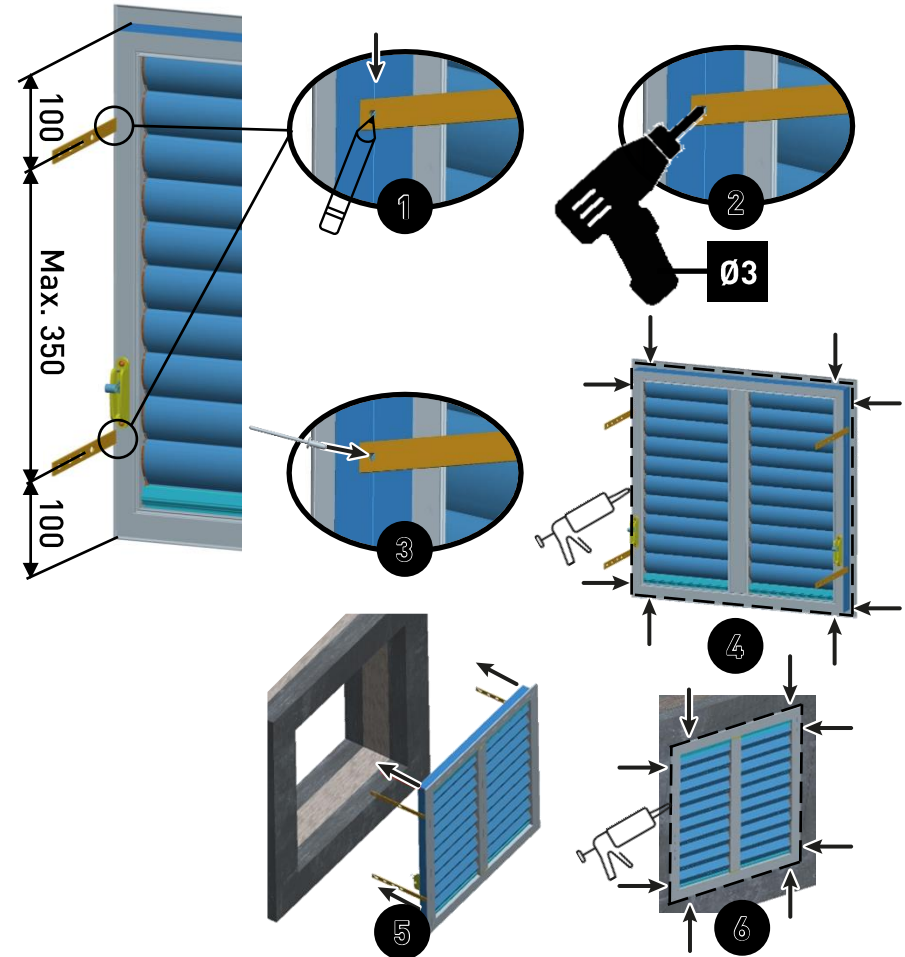
FRAME	TYPE	MINIMUM WIDTH	MINIMUM HEIGHT
F24	Window louvre glass size 24 mm	160 mm	563.5 mm
F28	Window louvre glass size 28 mm	160 mm	563.5 mm
G	Recessed mounting louvre with flange	160 mm	523.5 mm
N	Recessed mounting louvre without flange	160 mm	523.5 mm

Mounting a DucoGrille Close 35 motorised is dependent on the frame:

FRAME	TYPE	Mounting	PAGE
F24	Window louvre glass size 24 mm	Replacement for 24 mm glass	5
F28	Window louvre glass size 28 mm	Replacement for 28 mm glass	5
G	Recessed mounting louvre with flange	On exterior wall	6
N	Recessed mounting louvre without flange	On external louvre grille of choice On internal wall (with external louvre grille of choice)	7 8

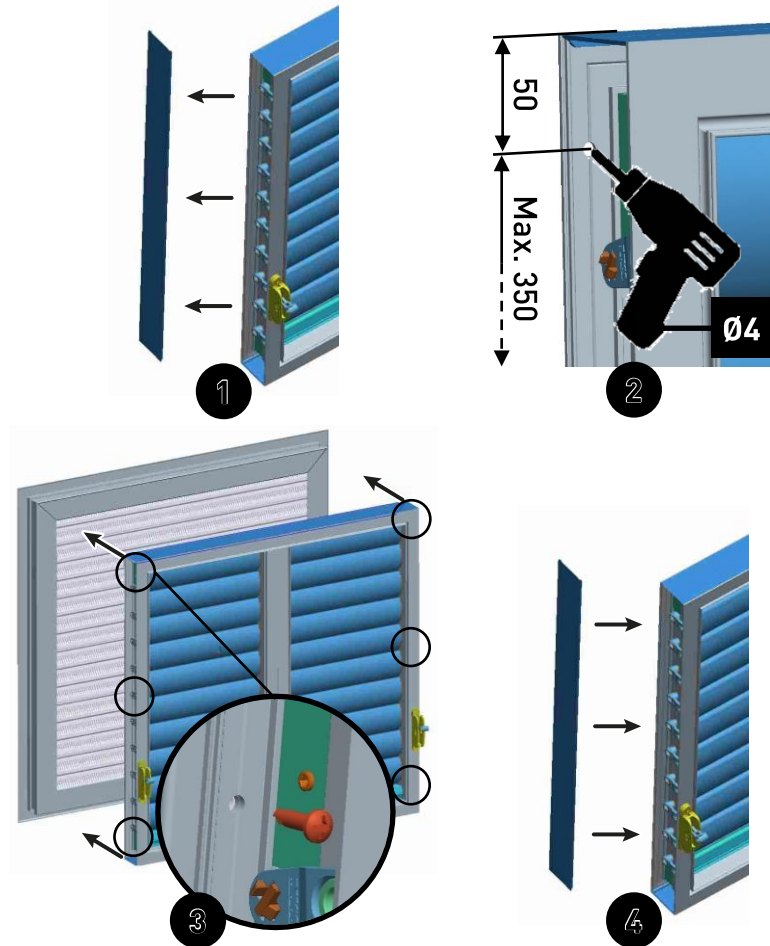


1. Mark the position of the fixing lugs (G0009681) on the sides of the frame in the drilling groove provided:
 - 1 fixing lug per side at 100 mm from the top of the frame
 - 1 fixing lug per side at 100 mm from the bottom of the frame
 - provide additional fixing lugs if the distance between two fixing lugs exceeds 350 mm
2. **NB!** Only drill through the outer frame. Drill $\varnothing 3$ mm holes, 2 mm deep, for fixing the fixing lugs.
3. Fix the fixing lugs using the blind rivets (G0000061).
4. Apply transparent silicone on the inside of the flange.
5. Mount the grille in the opening provided and fix the fixing lugs with an appropriate fastener for the substrate.
6. Apply transparent silicone to the outside of the grille.



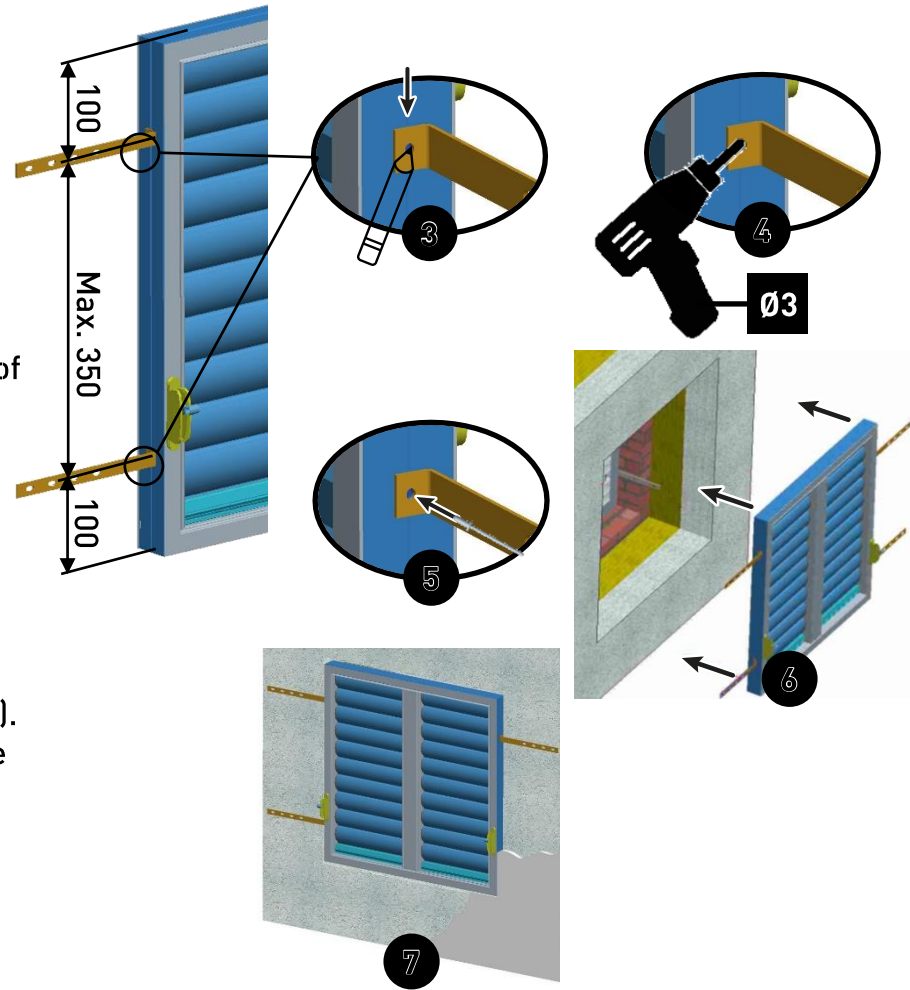
For mounting on outer grille of choice

1. **NB!** The cover sections are to be refitted after fixing the grille.
Remove the cover sections on the sides of the frame.
2. **NB!** Drill only on the side mounted against the external louvre grille.
Drill $\varnothing 4$ mm holes in the drilling groove provided:
 - 1 hole per side at 50 mm from the top of the frame
 - 1 hole per side at 50 mm from the bottom of the frame
 - provide additional holes if the distance between two holes exceeds 350 mm
3. Mount the DucoGrille Close 35 on the back of the outer grille and fix with the screws (G0000080).
4. Refit the cover sections on the sides of the frame.
5. Mount the external grille in accordance with the corresponding instructions.



For mounting on internal wall

1. Mount the external grille in accordance with the corresponding instructions.
2. Bend the fixing lugs 90° to get the desired recess depth.
3. Mark the position of the fixing lugs (G0009681) on the sides of the frame in the drilling groove provided:
 - 1 fixing lug per side at 100 mm from the top of the frame
 - 1 fixing lug per side at 100 mm from the bottom of the frame
 - provide additional fixing lugs if the distance between two fixing lugs exceeds 350 mm
4. **NB!** Only drill through the outer frame. Drill $\varnothing 3$ mm holes, 2 mm deep, for fixing the fixing lugs.
5. Fix the fixing lugs using the blind rivets (G0000061).
6. Mount the grille in the opening provided and fix the fixing lugs with an appropriate fastener for the substrate.
7. Finish the interior wall as you choose.



DucoGrille Close 35 motorised is supplied with a linear actuator (G0012445).

Optional control boxes and control panels are available for this actuator.

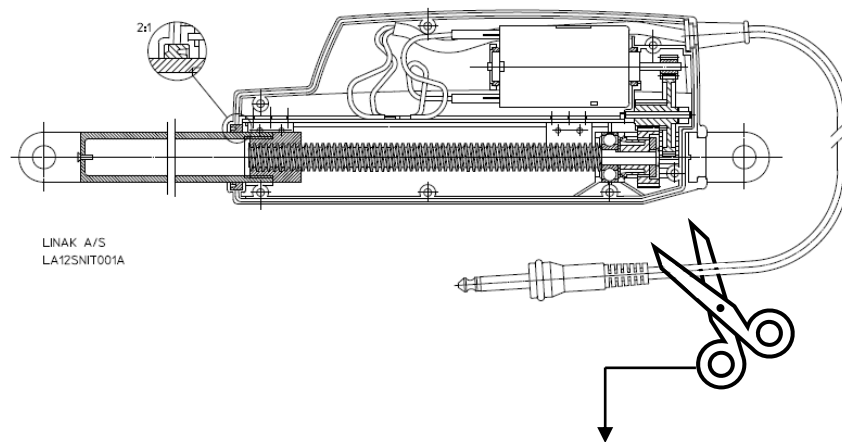
To connect the linear actuator without a control box and control panel, see Specifications and connection diagrams G0012445 – Linear actuator LA121000-20302411.

PRODUCTION NUMBER	DESCRIPTION	PAGE
G0012445	Linear actuator LA121000-20302411	5
G0012470	Control box CB8001 T20-0000	6
G0012471	Control box CB8001 T20-0003	6
G0012472	Control box CB8002 T22-0000	6
G0012473	Control box CB8002 T22-0003	6
G0012474	Control panel for wall mounting, one actuator DP1000-000000	7

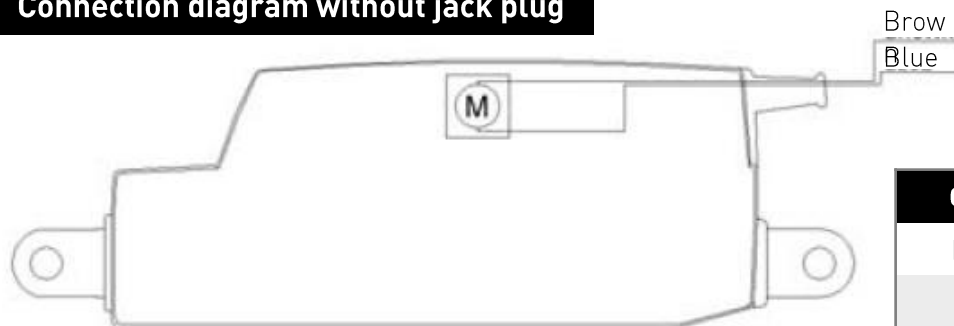
G0012445 – Linear actuator LA121000-20302411

Specifications:

- Thrust: 300N
- Self-locking ability: 300 mm
- Stroke length: 30 mm
- Overall dimension: 234 mm
- Speed at no load/full load: 27 / 16 mm/s
- Supply voltage: 24 V DC
- Maximum current: 1.5 A
- Duty cycle: 20% at full load
- Protection rating: IP65
- Colour: black
- Cable: 0.75 mm / black with jack plug

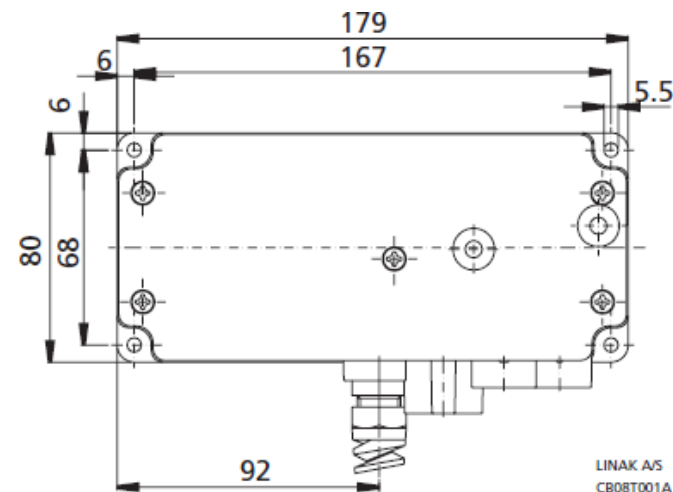
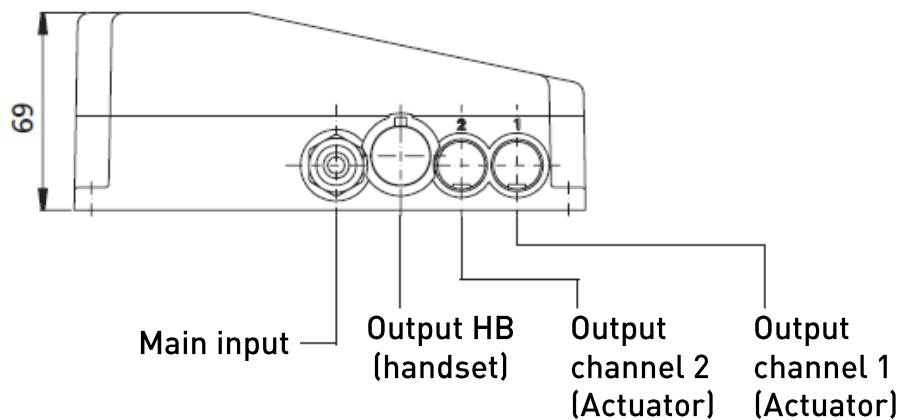


Connection diagram without jack plug



CABLE	EXTEND ACTUATOR	RETRACT ACTUATOR
Brown	Positive	Negative
Blue	Negative	Positive

PRODUCTION NUMBER	DESCRIPTION	CHANNEL 1	CHANNEL 2	CABLE 2P
G0012470	CB8001 T20-0000	For LA28.1/2; LA22; LA12 (2.35 A \pm 0.35 A)	-	Straight cable
G0012471	CB8001 T20-0003	For LA28.1/2; LA22; LA12 (2.35 A \pm 0.35 A)	-	Standard cable (230V) UK
G0012472	CB8002 T22-0000	For LA28.1/2; LA22; LA12 (2.35 A \pm 0.35 A)	For LA28.1/2; LA22; LA12 (2.35 A \pm 0.35 A)	Straight cable
G0012473	CB8002 T22-0003	For LA28.1/2; LA22; LA12 (2.35 A \pm 0.35 A)	For LA28.1/2; LA22; LA12 (2.35 A \pm 0.35 A)	Standard cable (230V) UK



4

Specifications and connection diagrams

PRODUCTION NUMBER	DESCRIPTION	NUMBER OF ACTUATORS
G0012474	DP1000-000000	1

