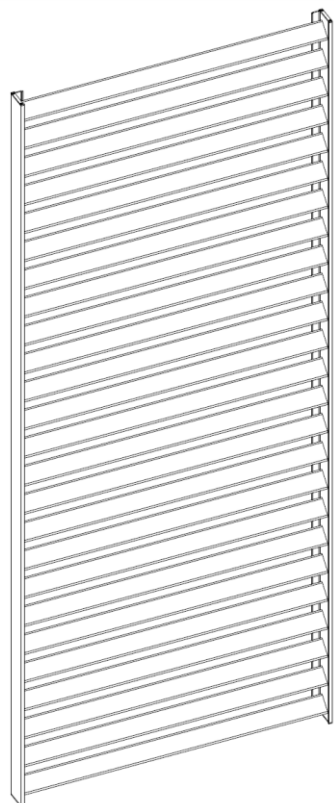


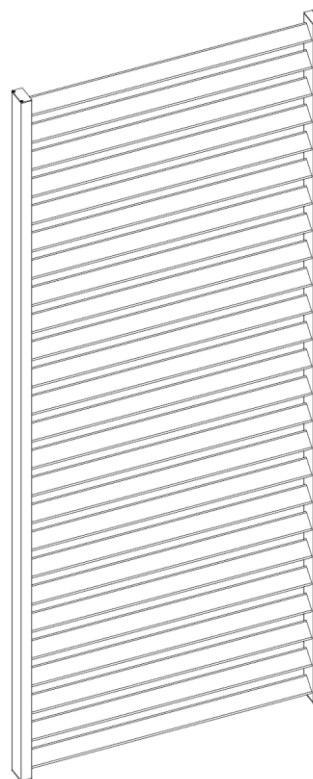
Installation instructions

Duco Barrier Load Louvre

10/06/2024



Slimframe 11/70



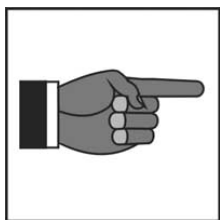
Luxframe 35/70

CONTENTS	
1.	Safety instructions
2.	Exploded view
3.	Parts list
4.	Fitting of Slimframe
5.	Fitting of Luxframe

1 safety instructions



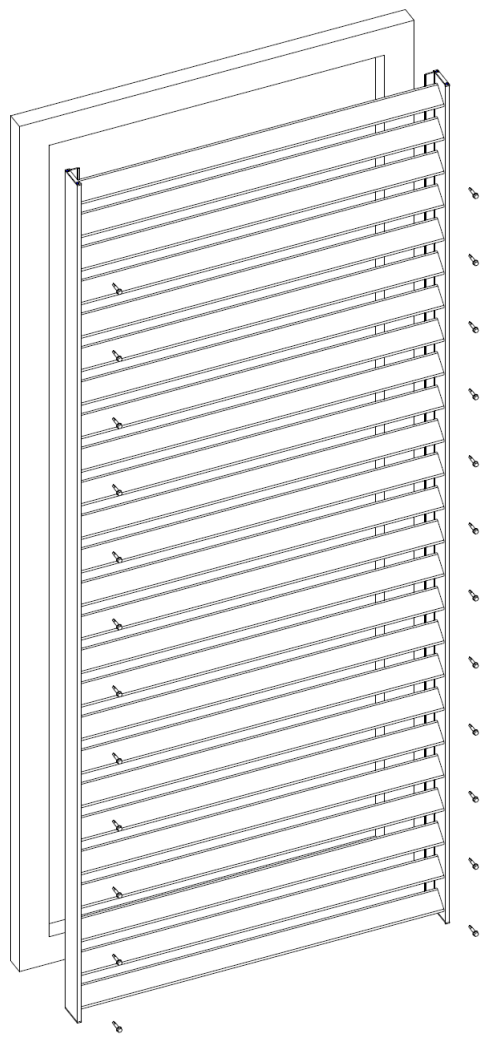
Risk of falling
Working on a façade entails a risk of falling.
Assembly personnel must be properly protected against falling or work on a professionally installed scaffolding. Failure to comply with this instruction can result in serious injury or death.



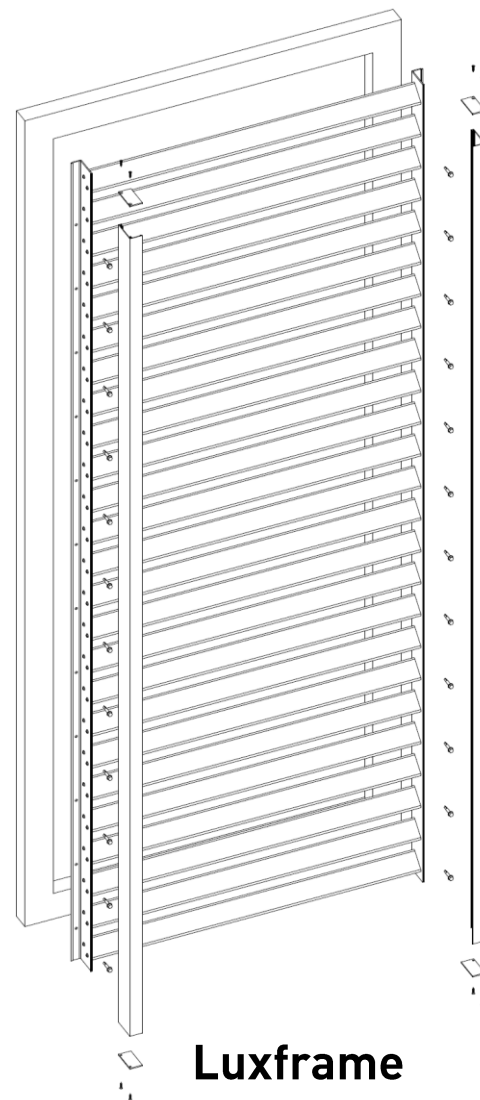
Note:
Mounting a Duco Barrier Load Louvre is a multi-step process that must be performed in the correct order as described to ensure proper operation of the installation.



2 Exploded view – Assembly on frame

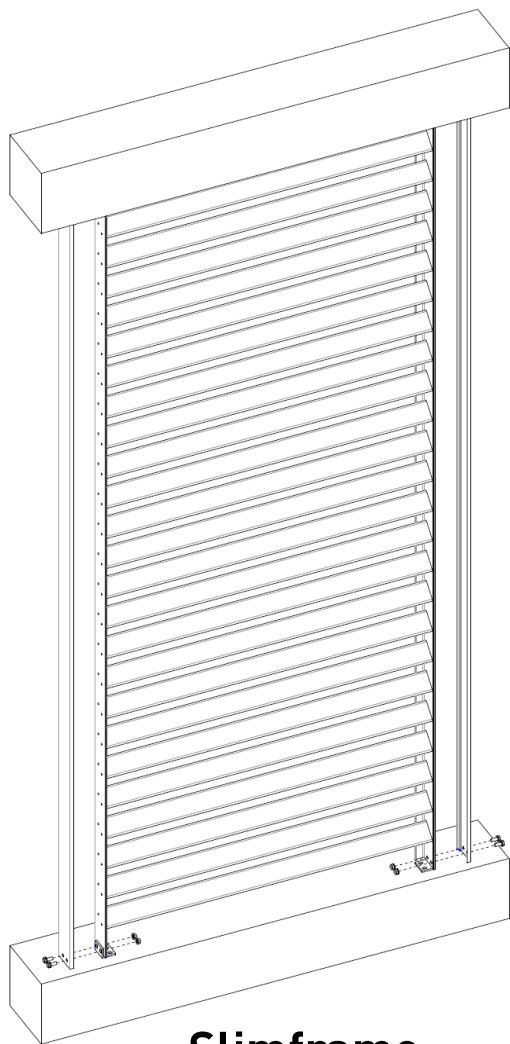


Slimframe

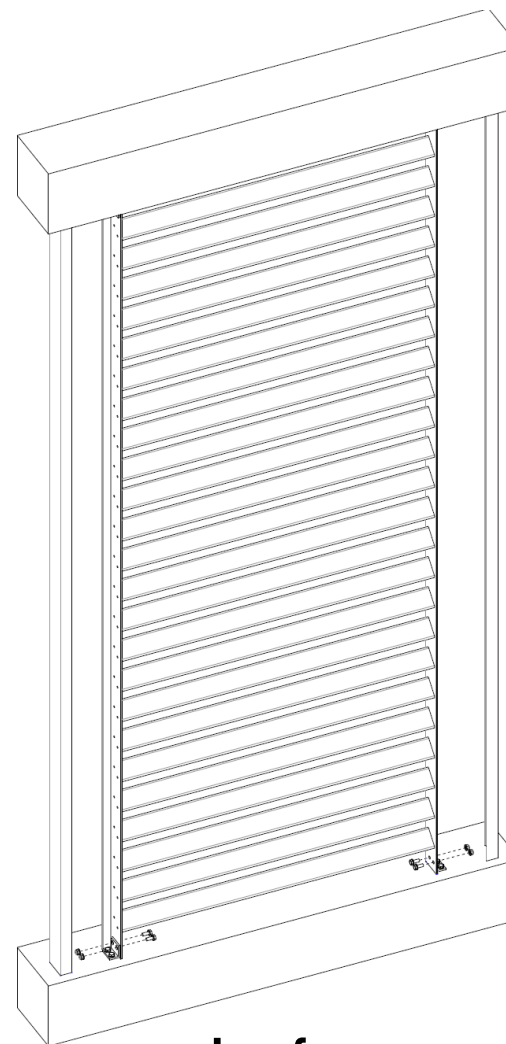


Luxframe

2 Exploded view – Four corner mounting



Slimframe

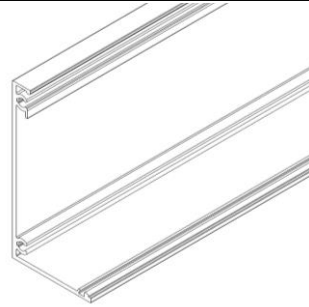


Luxframe

3

Parts list

DucoSlide Barrier Lux 70 lid
P1820010



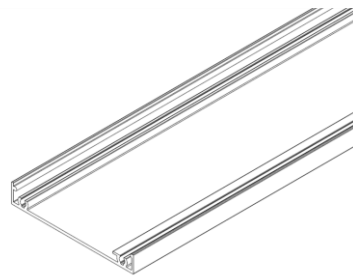
Recessed self tapping screw
G0000101

DIN 7982 Ø3.5 x 19

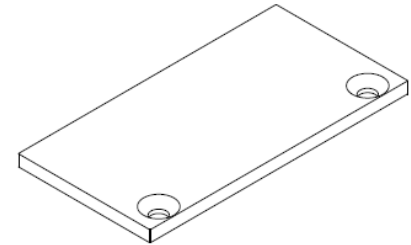


Screw for cover plates

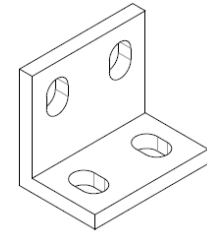
DucoSlide Barrier Slim 70 lid
P1810010



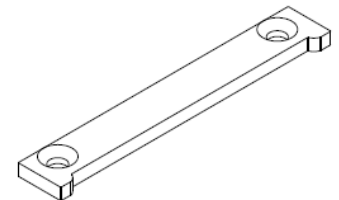
Cover plate Lux 35/70
G0120037



Duco Barrier Load Louvre fixing bracket
T1121520



Cover plate Slim 11/70
G0120036



Duco Barrier Load Louvre is available in several variants:

1. Frame

- Slimframe
- Luxframe

2. Louvre corner

- 3°
- 45°
- 55°

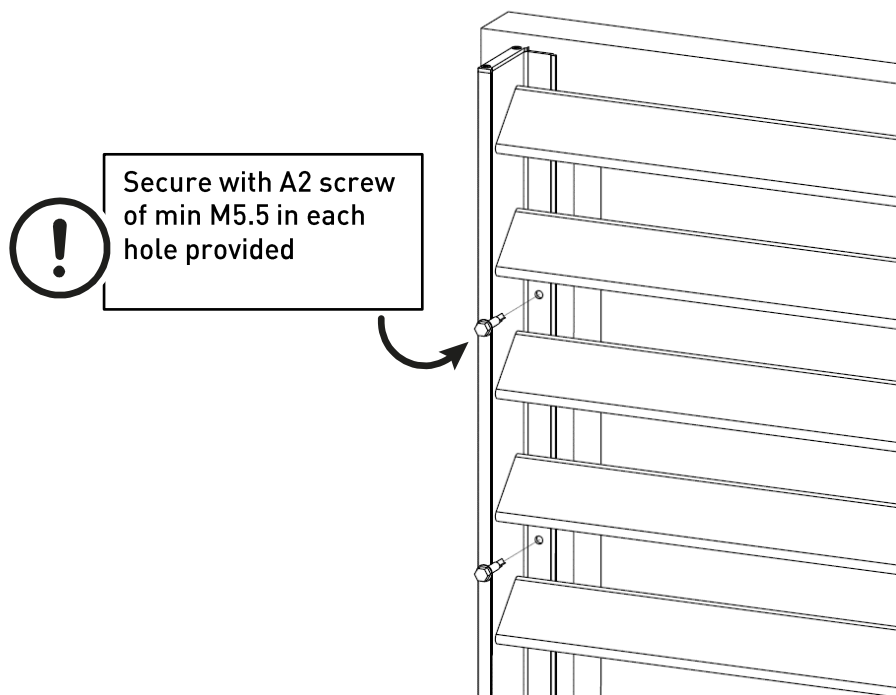
3. Fitting

- Mounting directly on frame
- Mounting on the four corners

FRAME	FITTING	PAGE
Slimframe	On frame	7
Luxframe	On frame	8
Slimframe	At four corners	9
Luxframe	At four corners	10

4 Fitting of Slimframe - on frame

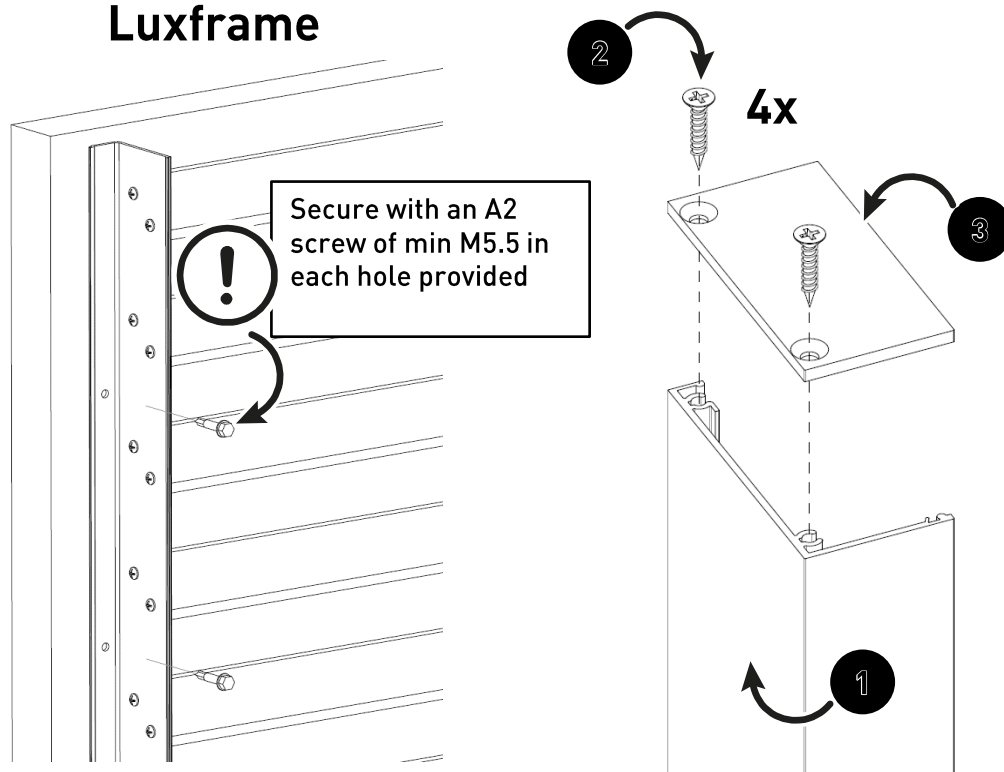
Slimframe



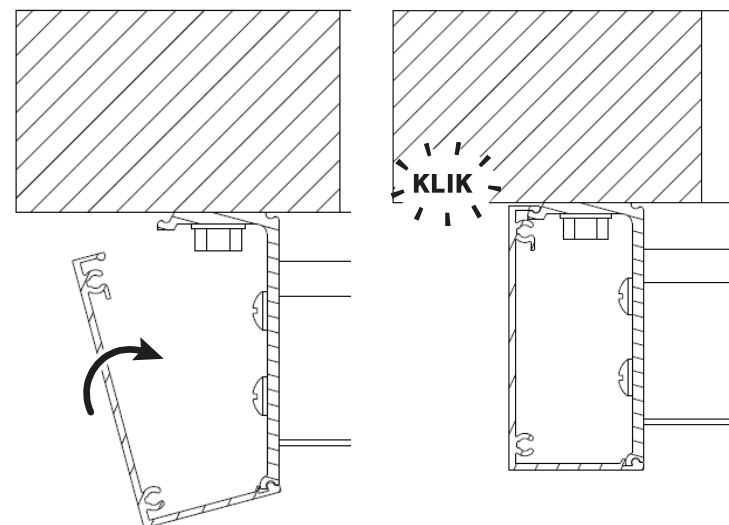
Fixing material is to be provided by fitter depending on the substrate into which the screws are placed. If screwed into a PVC frame, screw through the steel reinforcement.

5 Fitting of Luxframe – on frame

Luxframe



parts		
1	Lux 70 lid P1820010	x2
2	Cover plate Lux 70 G0120037	x4
3	G0000101	x8



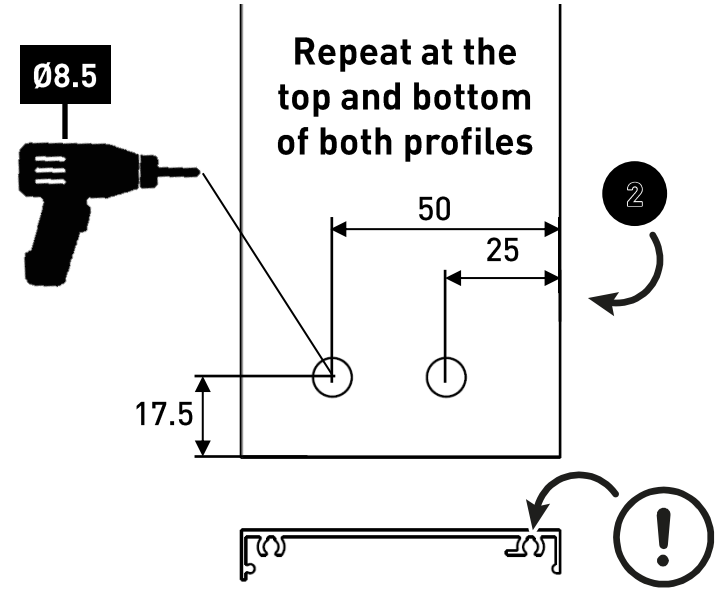
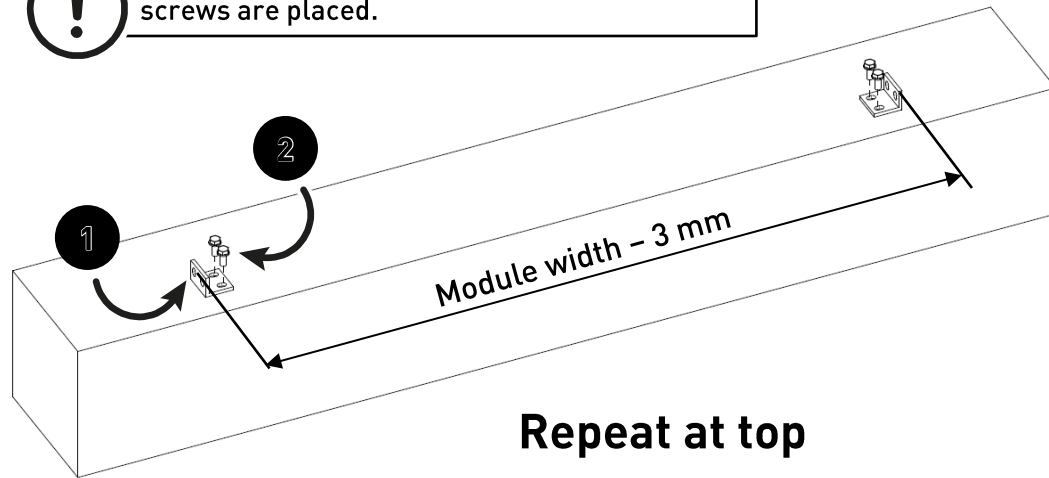
4

Fitting Slimframe – at four corners

1. Mount the mounting brackets on the underlying structure (do not tighten these fully yet)
2. Drill mounting holes in lid profile
3. Install module over the brackets
4. Click in lid profile
5. Lid through-bolts – mounting bracket – module

parts		
1	Mounting bracket P1820010	x4
2	Mounting material M8 (at the expense of the installer)	X8
3	Slim 70 lid profile P1810010	x2

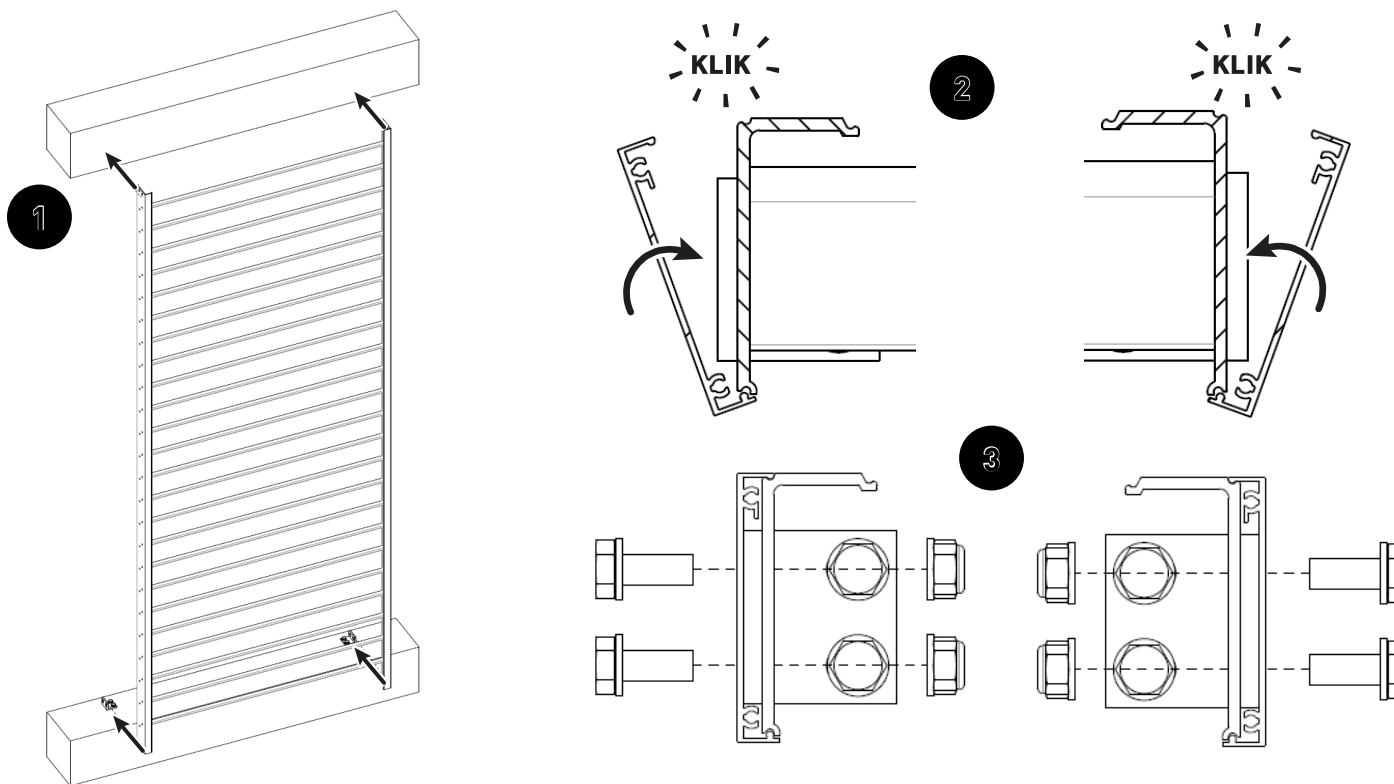
! Fixing material is to be provided by fitter depending on the substrate into which the screws are placed.



4

Fitting Slimframe – at four corners

1. Install the mounting brackets on the underlying structure
2. Drill mounting holes in lid profile
3. Install module over the brackets – ensure 5 mm clearance to the underlying structure
4. Click in lid profile
5. Lid through-bolts – mounting bracket – module with supplied material



5 Fitting Luxframe – at 4 corners

1. Install the brackets on the frame profile
2. Draw the holes for attachment using the holes in the brackets
3. Drill holes and attach the module with M8 A2 bolts
4. Click the lid profile P1820010 onto the side profile

