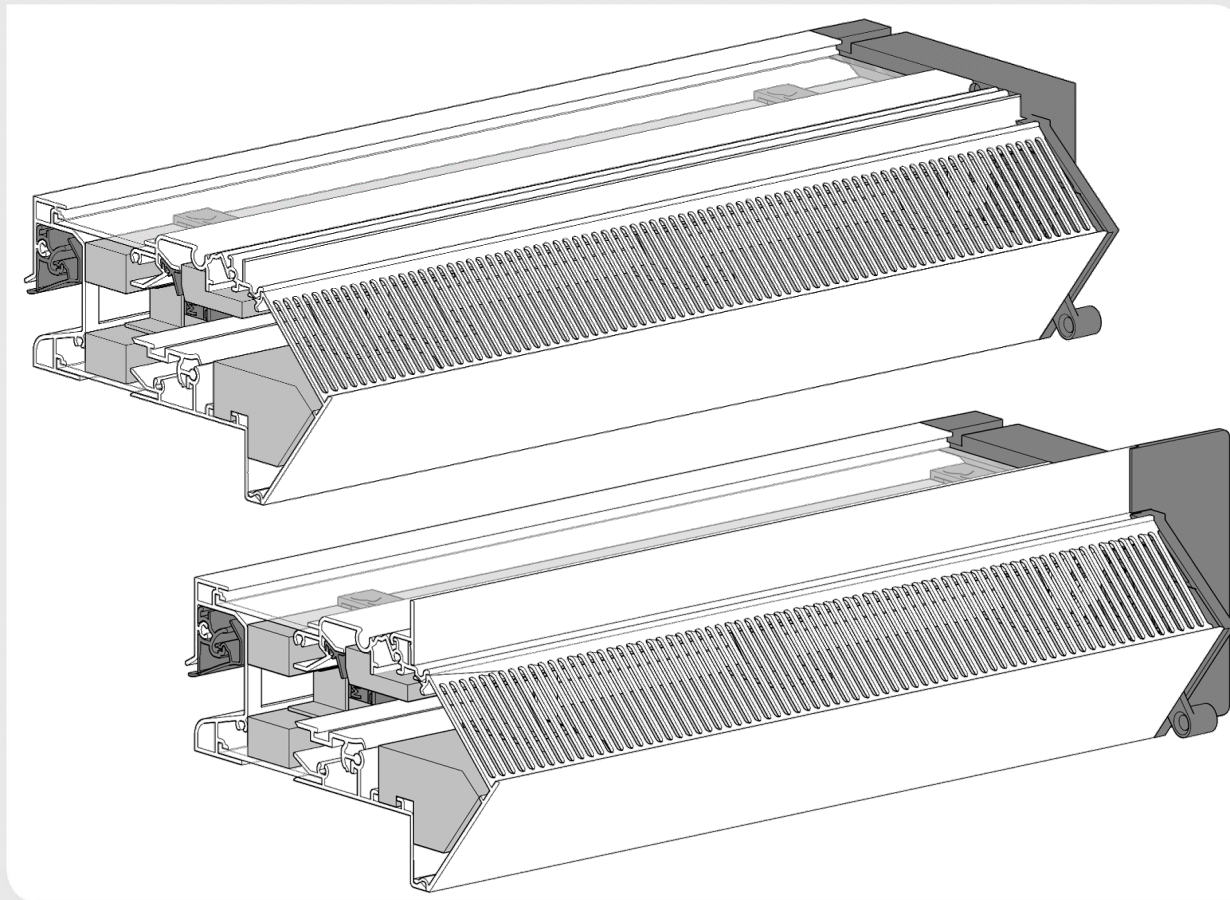


Fitting instructions

TopVent NL/CK – TronicVent NL/CK – SkyVent NL/CK – TronicSkyVent NL/CK

L0004247

28/01/2025

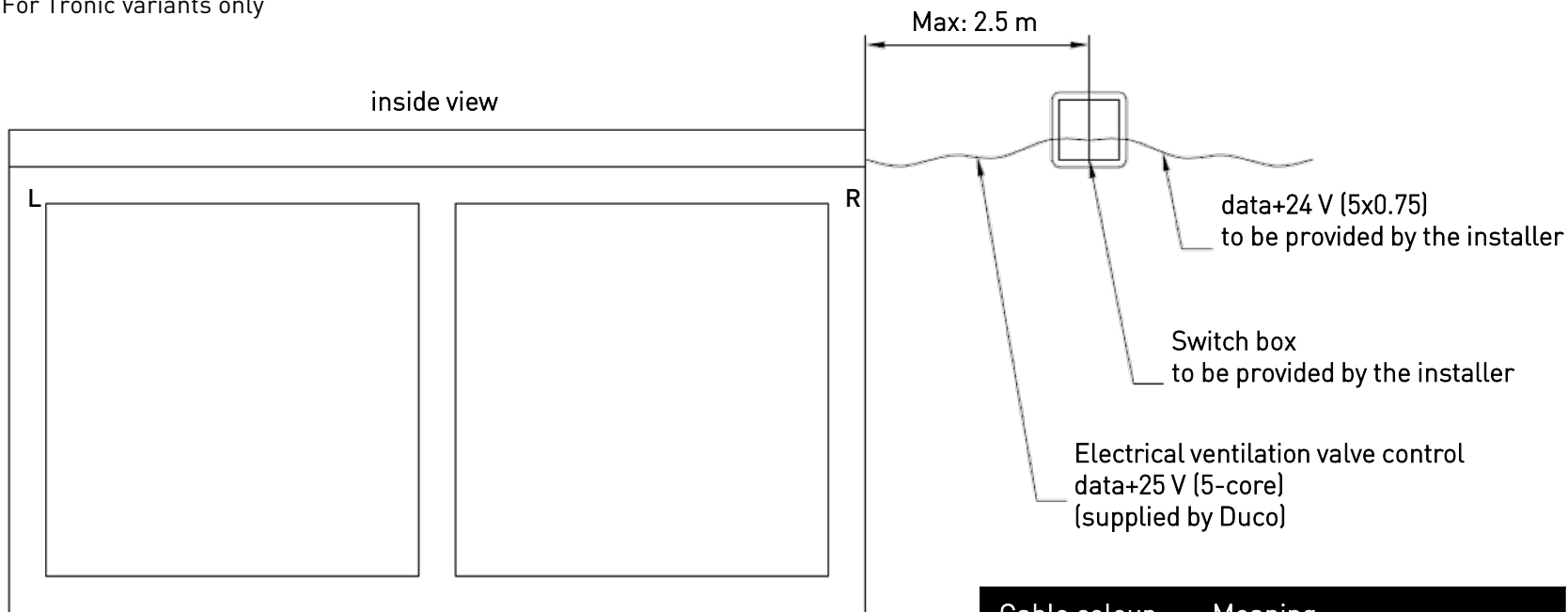


CONTENTS

1. Power supply
2. General information
3. Preparing the window ventilator
4. Mounting on top of the window frame
5. Invisible mounting on the transom

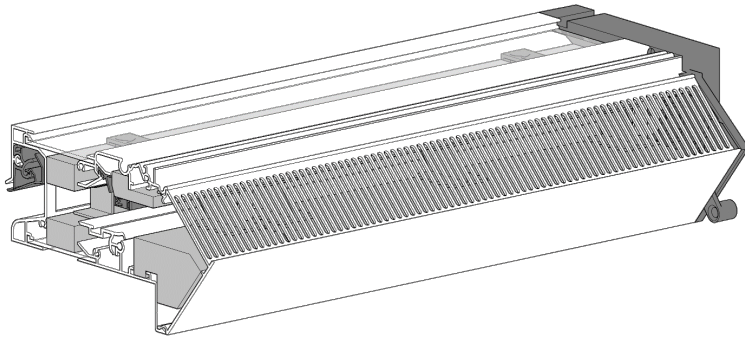
1 Power supply

For Tronic variants only

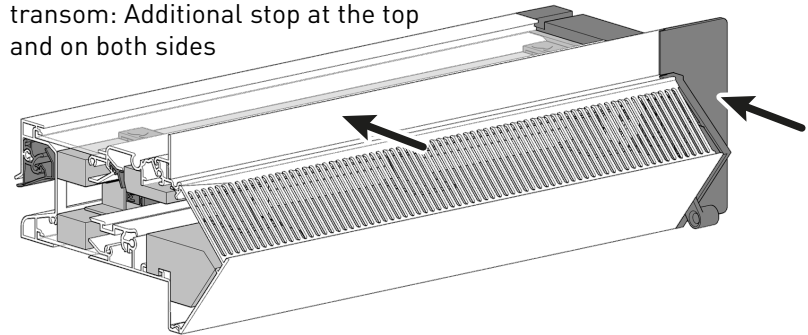


Cable colour	Meaning
Brown	Supply voltage 24 V DC
White	Supply voltage 24 V DC
Yellow	Data A
Green	Data B
Grey	Data GND

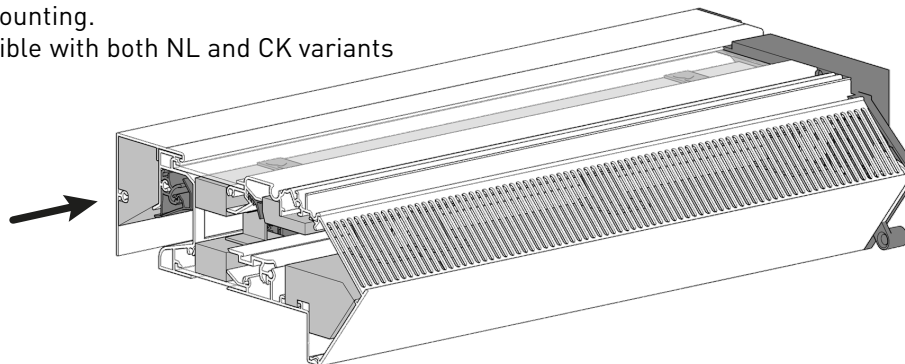
Mounting on top of the window frame: all NL variants



Invisible mounting on the transom: Additional stop at the top and on both sides



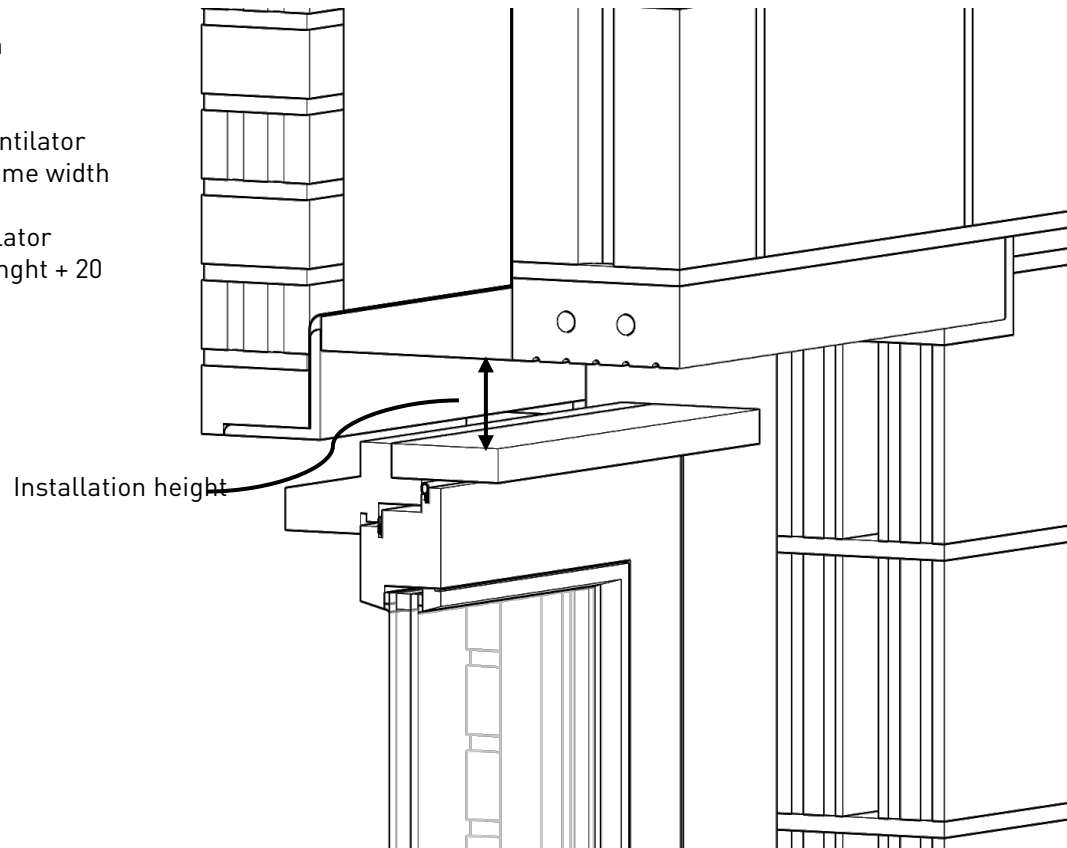
Sky version: Additional cover for high-rise buildings or visible mounting.
This is possible with both NL and CK variants



TopVent NL & TronicVent NL installation height: 65 mm
TopVent CK, SkyVent NL/CK, TronicVent CK &
TronicSkyVent NL/CK installation height: 70 mm

Mounting on top of the window frame window ventilator
length: vent length = overall length = window frame width

Invisible mounting on the transom window ventilator
length: vent length = overall length = opening length + 20 mm

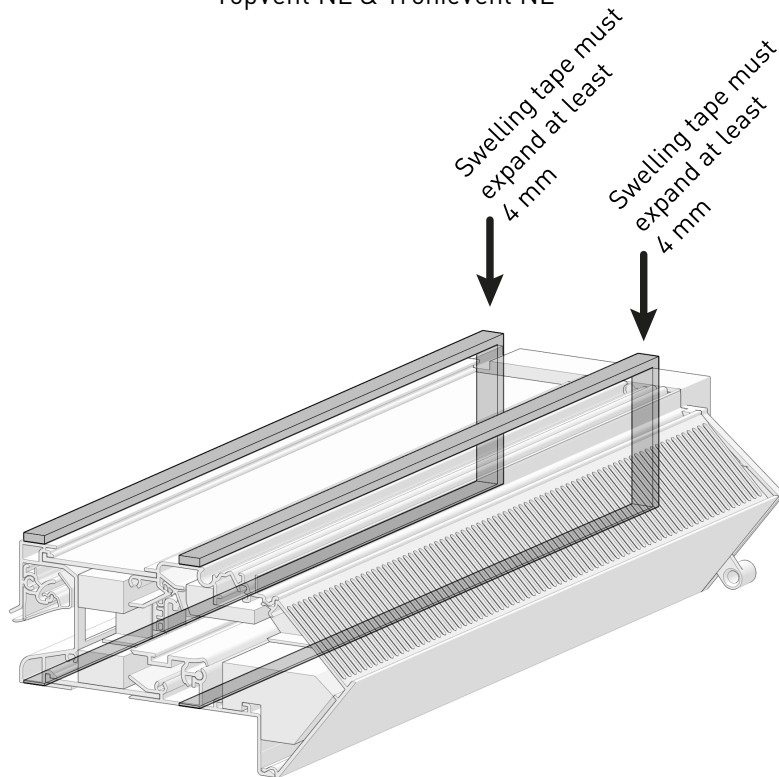


3

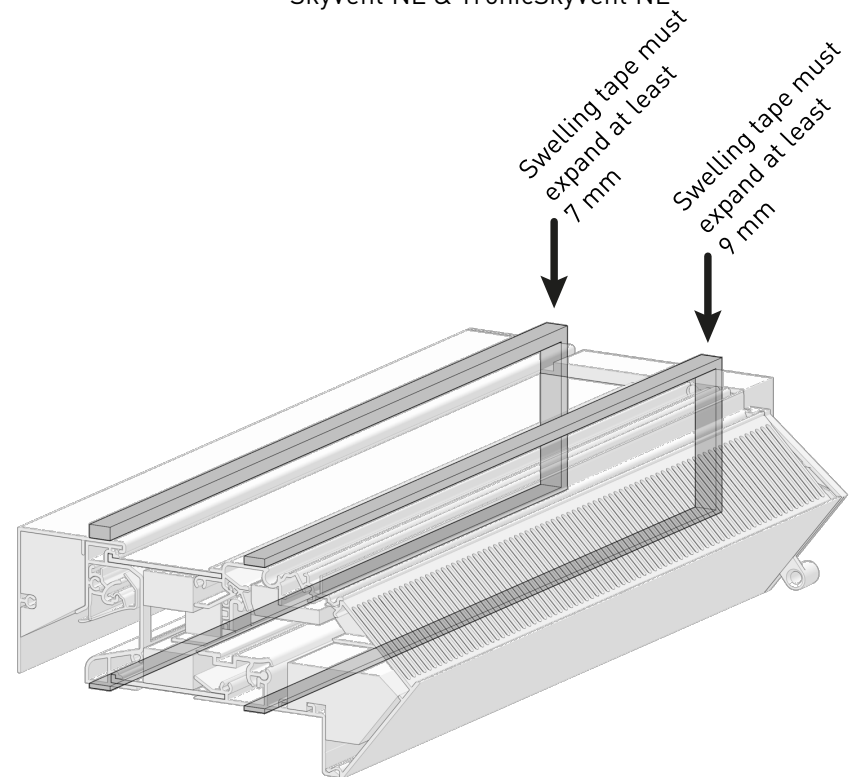
Preparing the window ventilator

Just before mounting, provide two swelling tapes around the window ventilator at the locations indicated in the figure. Ensure that the type of swelling tape used can expand sufficiently to seal the remaining clearance. The minimum values that the swelling tape should expand on the figures is when the installation height is exactly correct. If the installation height is greater, the difference must be added to the minimum value.

TopVent NL & TronicVent NL

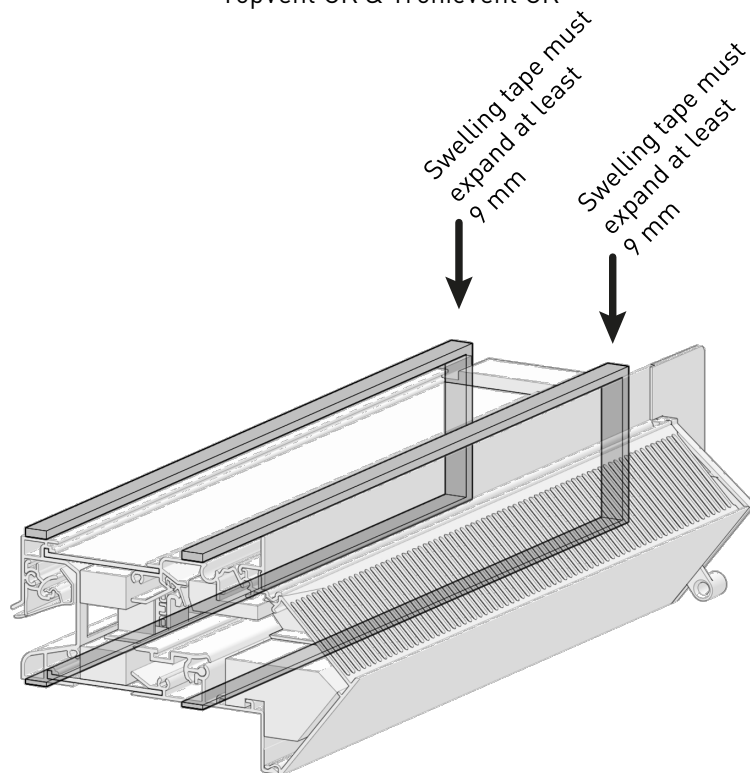


SkyVent NL & TronicSkyVent NL

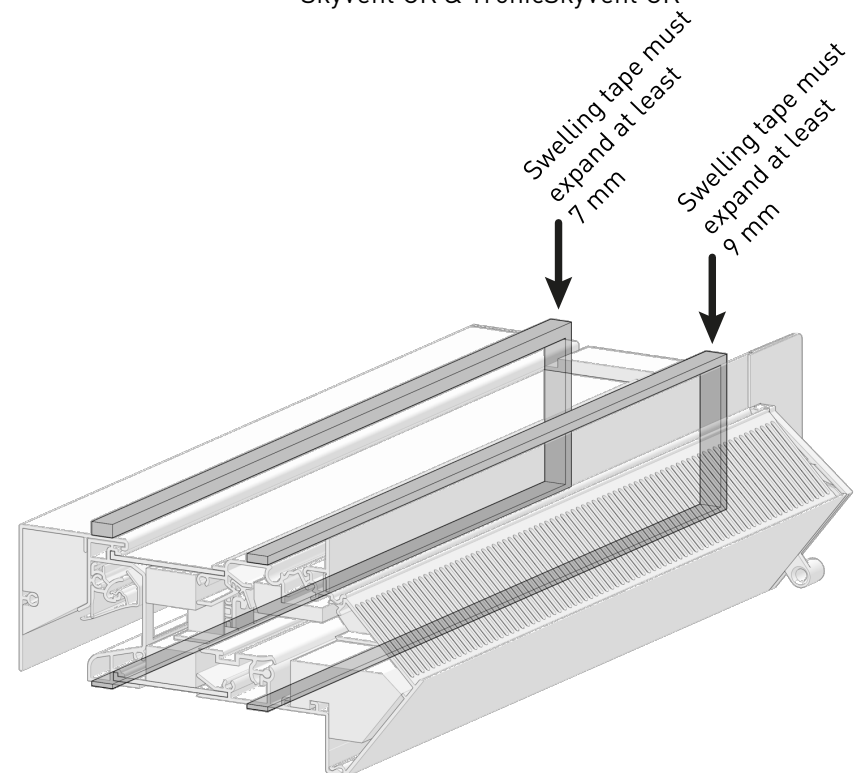


Just before mounting, provide two swelling tapes around the window ventilator at the locations indicated in the figure. Ensure that the type of swelling tape used can expand sufficiently to seal the remaining clearance. The minimum values that the swelling tape should expand on the figures is when the installation height is exactly correct. If the installation height is greater, the difference must be added to the minimum value.

TopVent CK & TronicVent CK



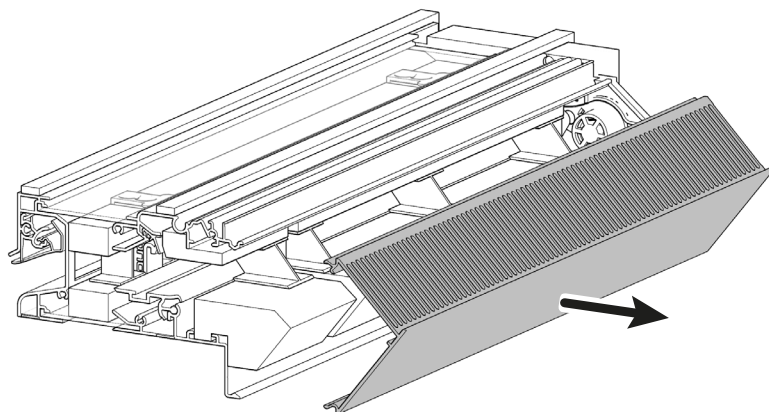
SkyVent CK & TronicSkyVent CK



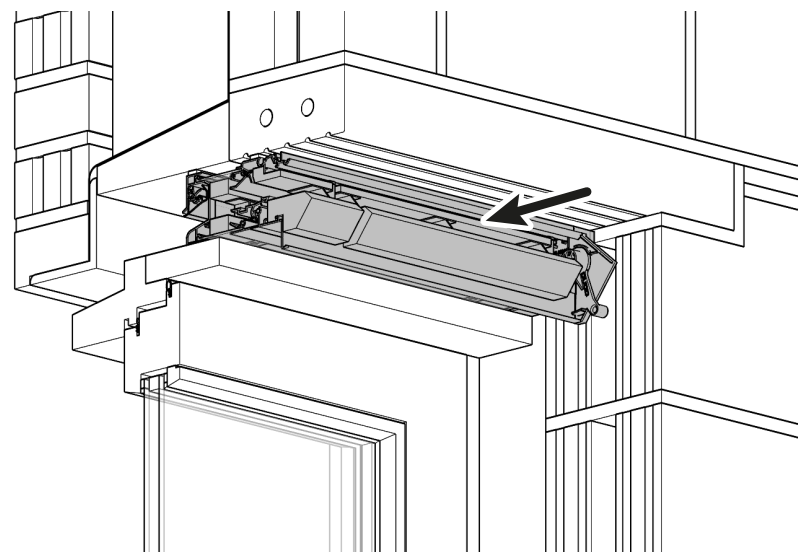
4

Mounting on top of the window frame

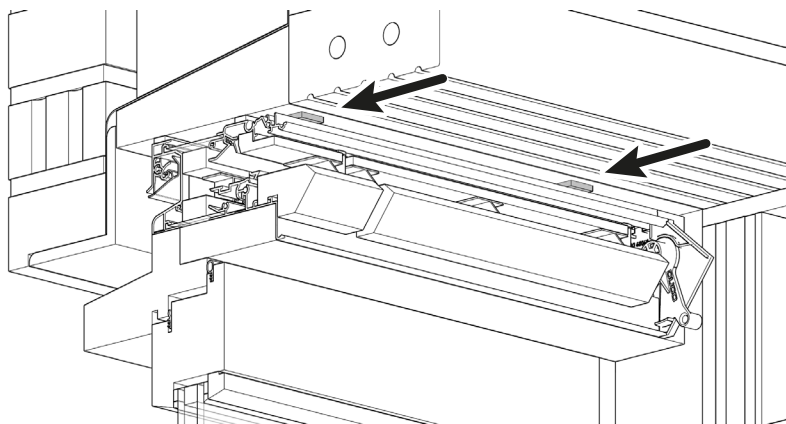
Carefully remove the inner cover.



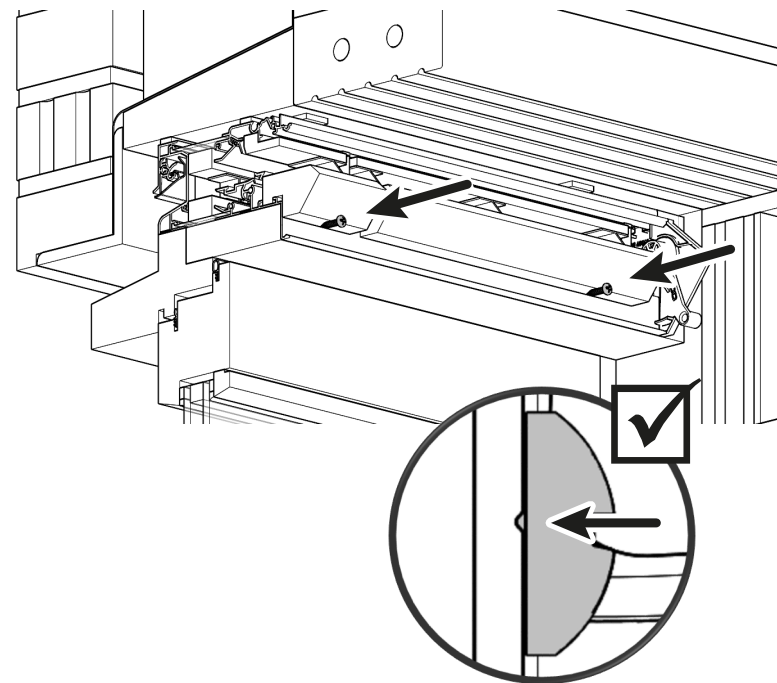
Slide the window ventilator into the opening.



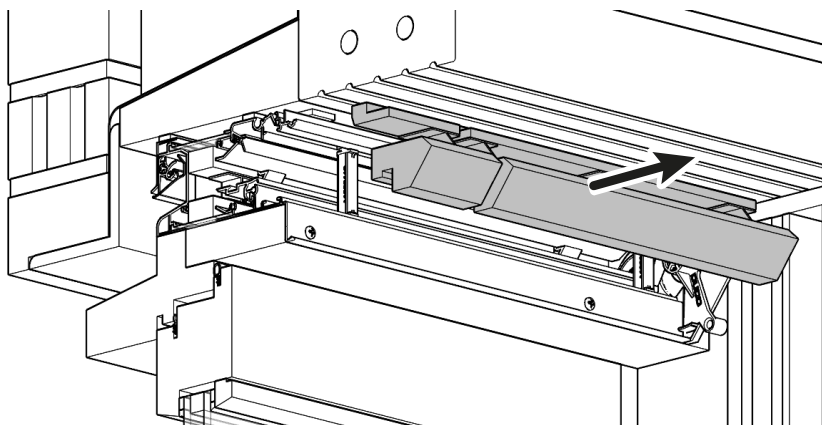
Shim the window ventilator at the top every 300 mm so that it fits nicely against the window. Start at about 100 mm from the side.



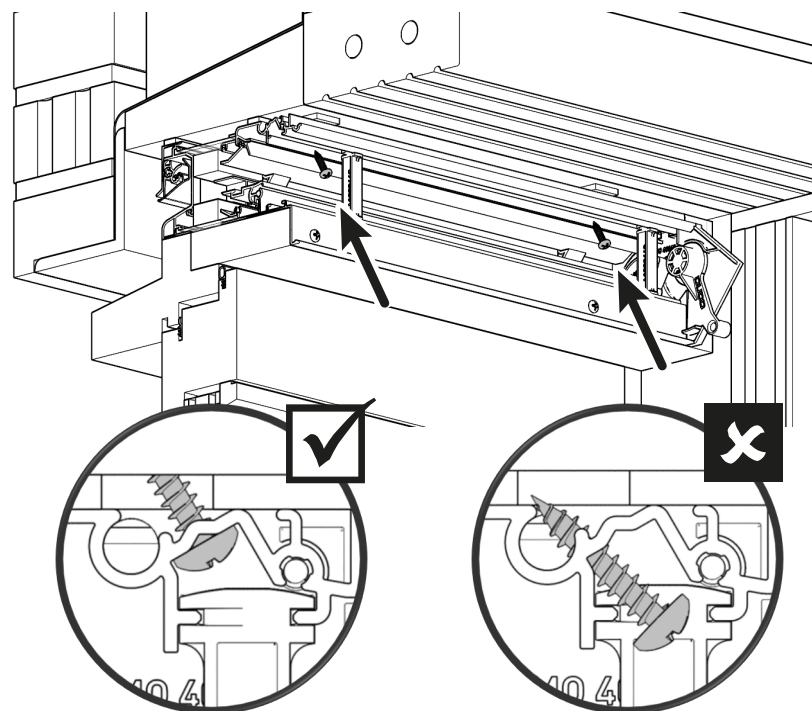
Screw down the window ventilator at the bottom to the window every 300 mm. Start at about 100 mm from the side. A groove is provided in the profile where the screws must be placed. These screws are not included with the window ventilator. The screw type and length must be matched to the frame used.



Remove the foam pads from the window ventilator.

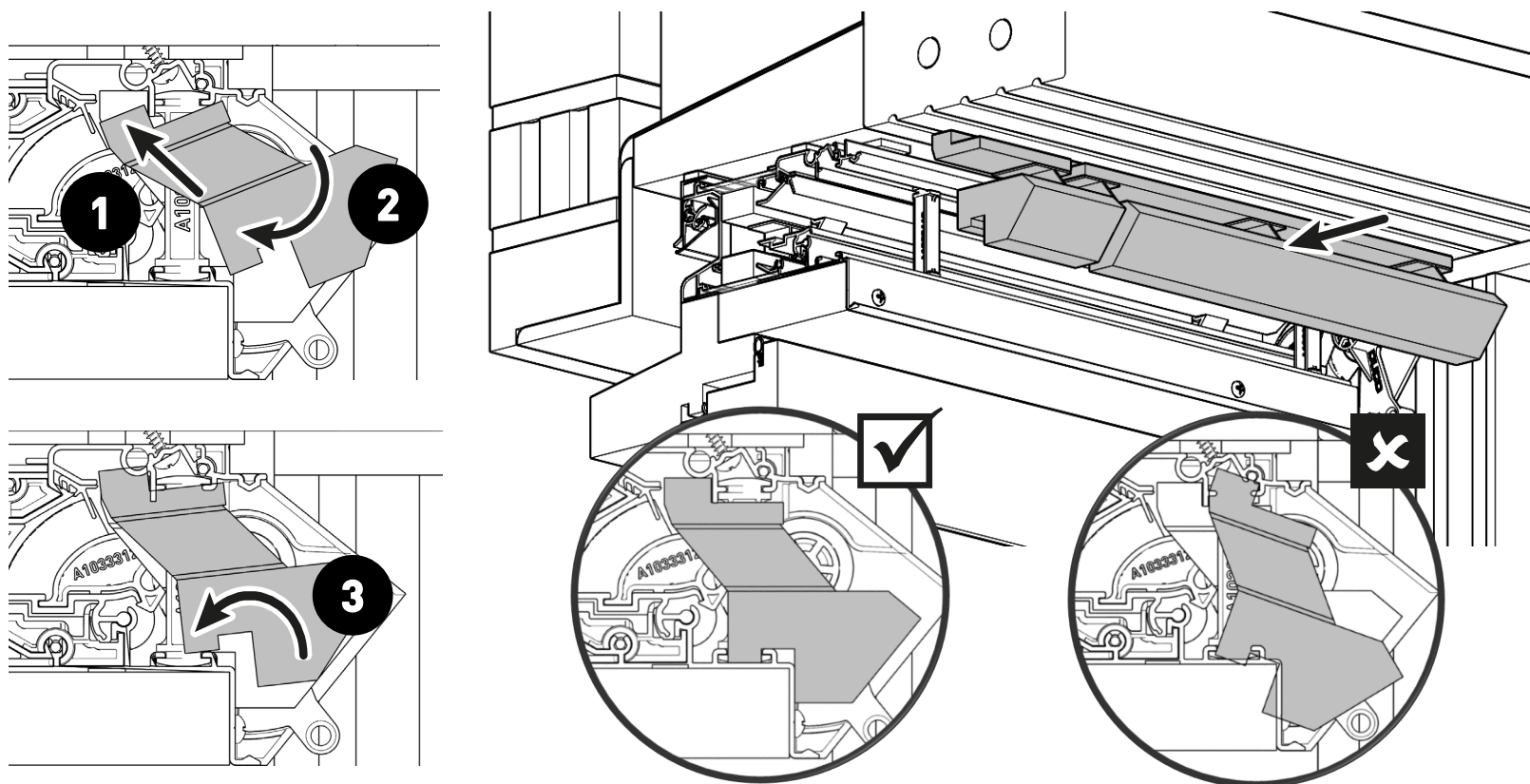


Screw down the window ventilator at the top every 300 mm. Start at about 100 mm from the side. Make sure the screw is screwed straight up enough so that the screw does not hit a rib of the aluminium profile! The diameter of the screw head must not be larger than 8 mm. These screws are not included with the window ventilator. The screw type and length must be matched to the overlying structure.

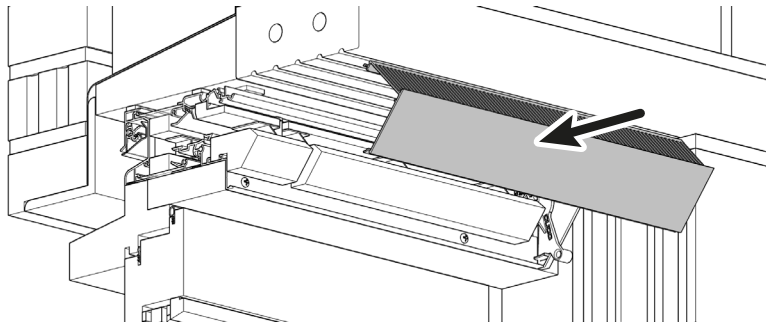


Place the foam pads back in the window ventilator. When doing so, make sure they are positioned correctly.

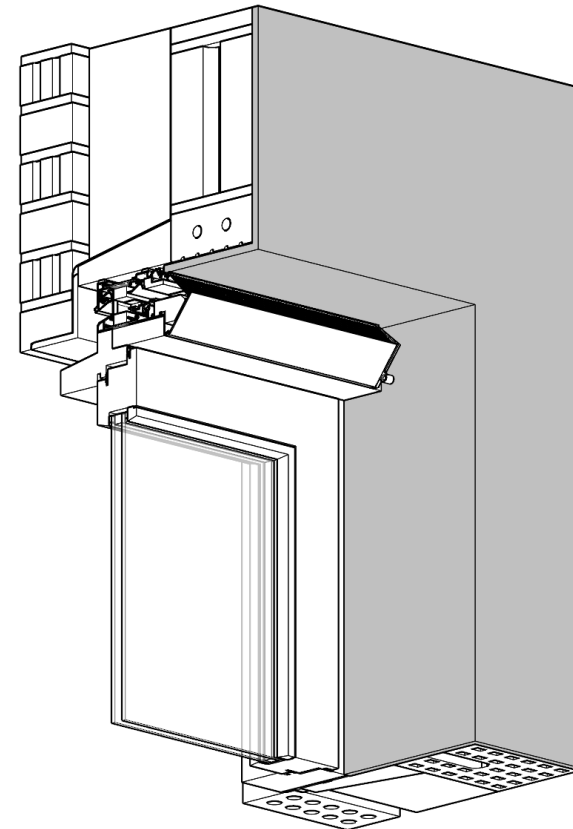
1. Hook the top of the foam pack behind the rib of the aluminium top profile.
2. Push the foam pack up sufficiently and turn the pack further into the window ventilator.
3. Hook the bottom tab of the foam pack between the ribs on the aluminium bottom profile.



Mount the inner cover back on the window ventilator.



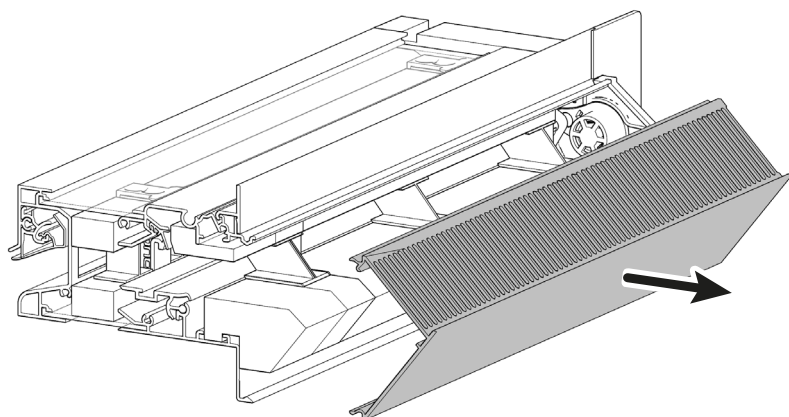
Then finish the inside airtight. Make sure no plaster gets into the window ventilator. The protective tape must not be removed until after the window ventilator has been finished completely. Check if the control works correctly.



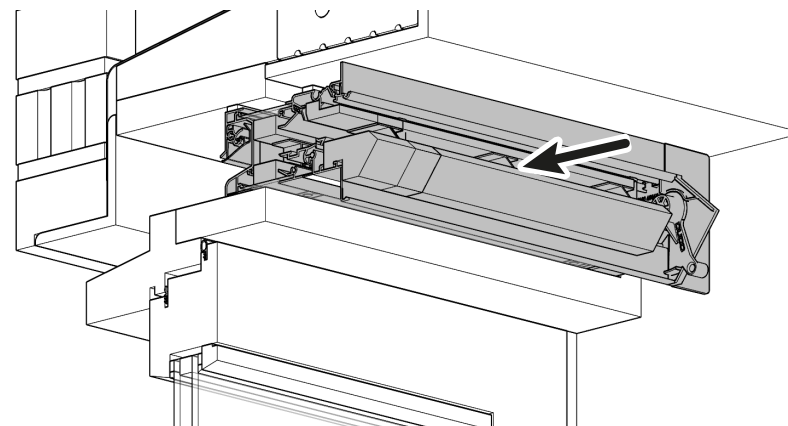
5

Invisible mounting on the transom

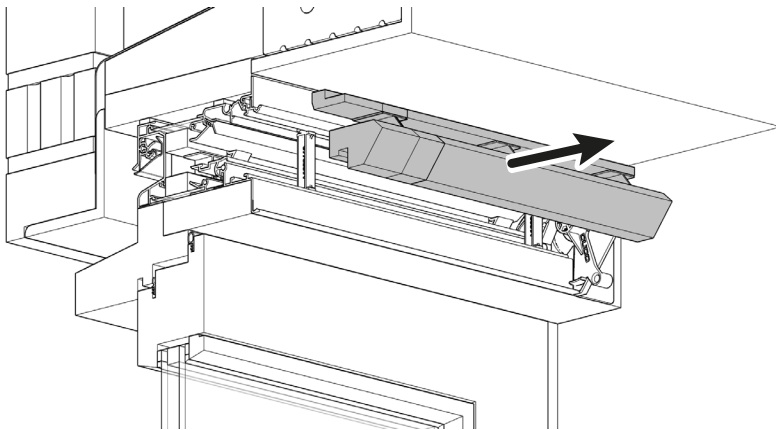
Carefully remove the inner cover.



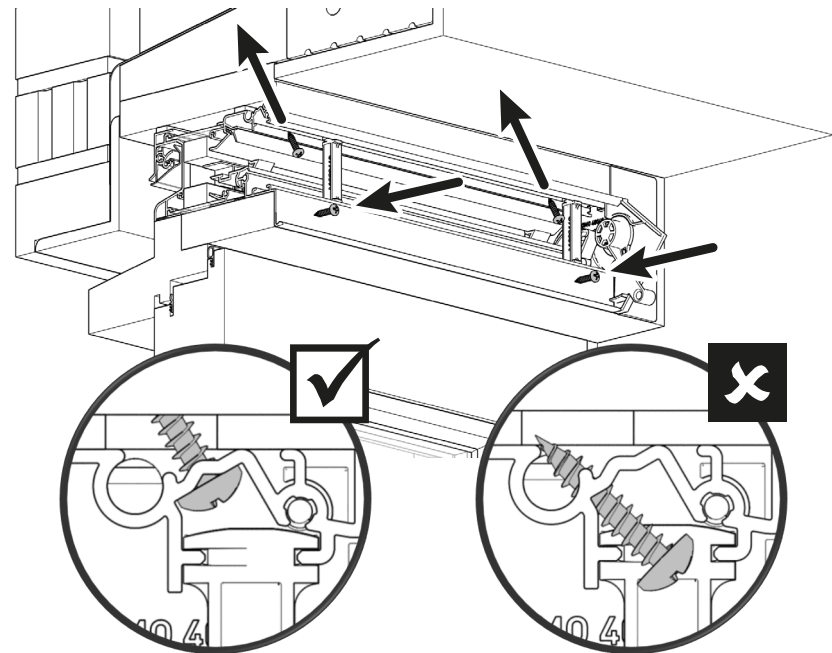
Slide the window ventilator into the opening.



Remove the foam pads from the window ventilator.

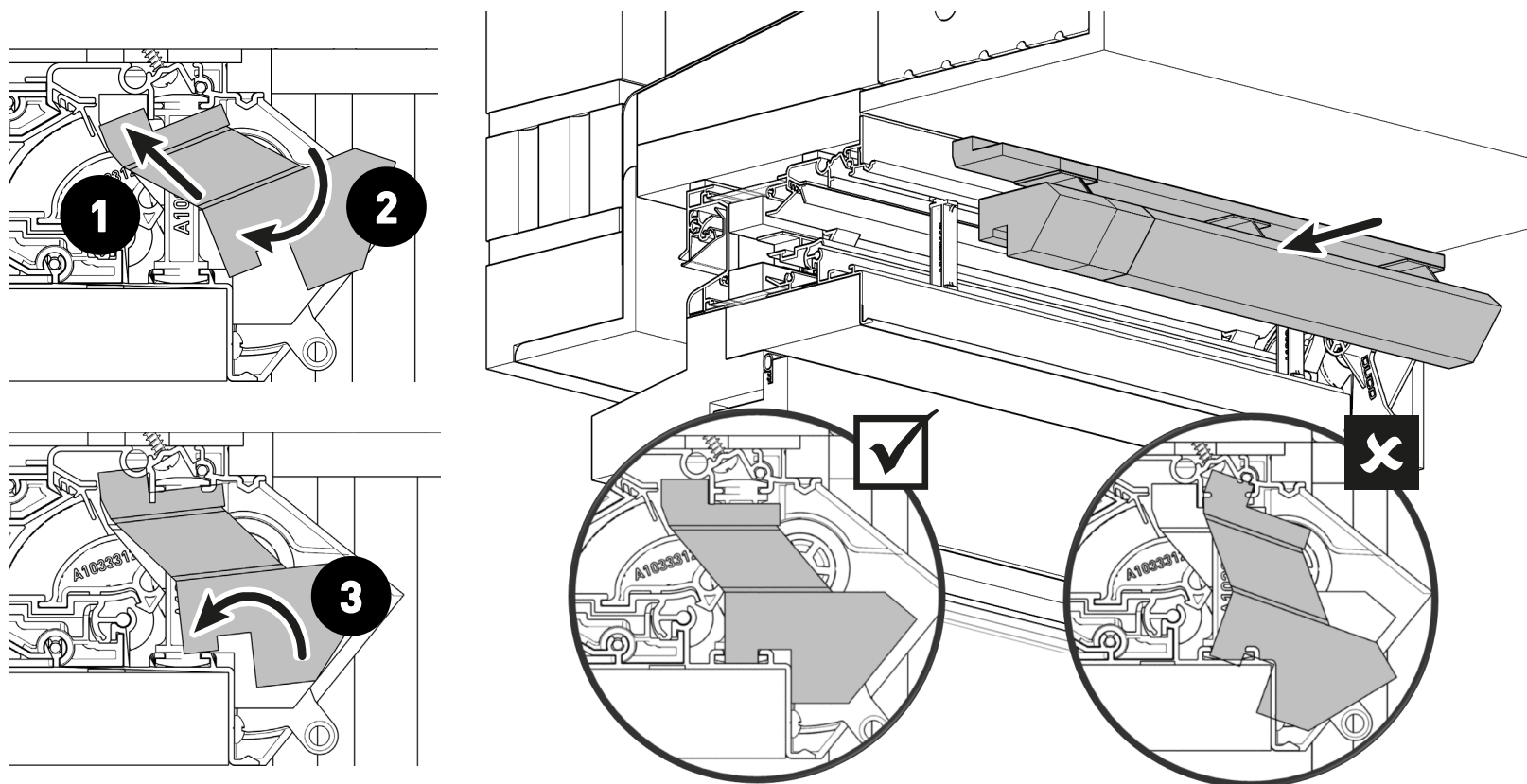


Screw down the window ventilator first at the bottom and then at the top every 300 mm. Start at about 100 mm from the side. A groove is provided in the profile where the screws must be placed at the bottom. Make sure the top screw is screwed straight up enough so that the screw does not hit a rib of the aluminium profile! The diameter of the screw head must not be larger than 8 mm. These screws are not included with the window ventilator. The screw type and length must be matched to the framed used and the overlying structure. Do not screw through the top L-profile!



Place the foam pads back in the window ventilator. When doing so, make sure they are positioned correctly.

1. Hook the top of the foam pack behind the rib of the aluminium top profile.
2. Push the foam pack up sufficiently and turn the pack further into the window ventilator.
3. Hook the bottom tab of the foam pack between the ribs on the aluminium bottom profile.



5 Invisible mounting on the transom

Mount the inner cover back on the window ventilator. The protective tape must not be removed until after the window ventilator has been finished completely. Check if the control works correctly.

