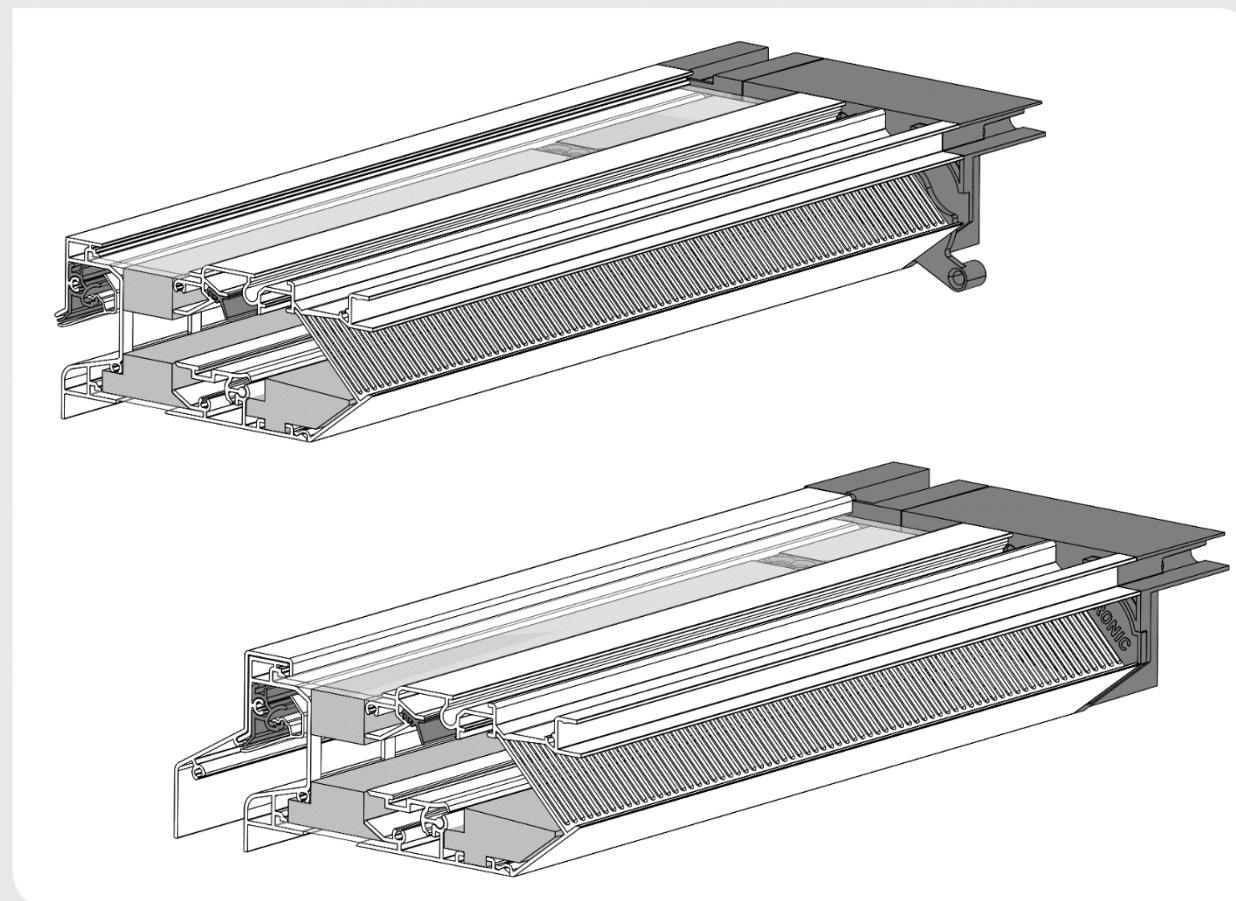


TopVent BE & TronicVent BE

L0004238

23/08/2024



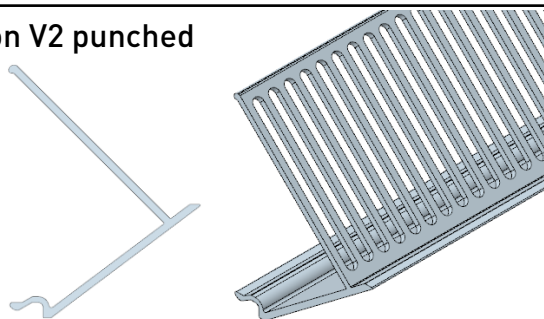
CONTENTS

1. Parts TopVent BE Corto
2. Parts TopVent BE Medio, Alto & Largo
3. Parts TronicVent BE
4. Disassembling inner cover and foam
5. Disassembling connecting pieces
6. Disassembling valve centrepiece
7. Disassembling flap locking piece
8. Disassembling rubber
9. Disassembling handle
10. Disassembling ventilation flap
11. Mounting ventilation flap

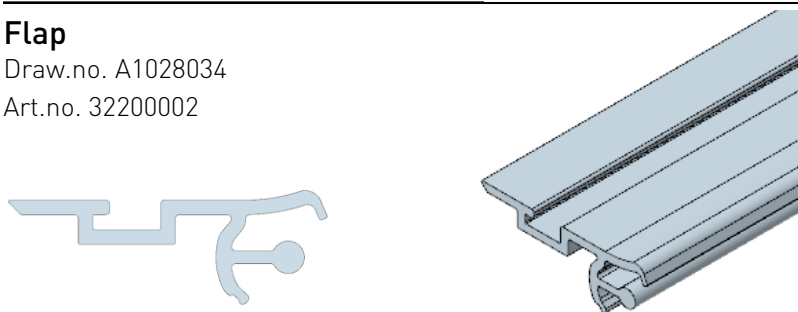
Applicable to all TopVent & TronicVent variants, including Sky and Flange versions

Removable section V2 punched

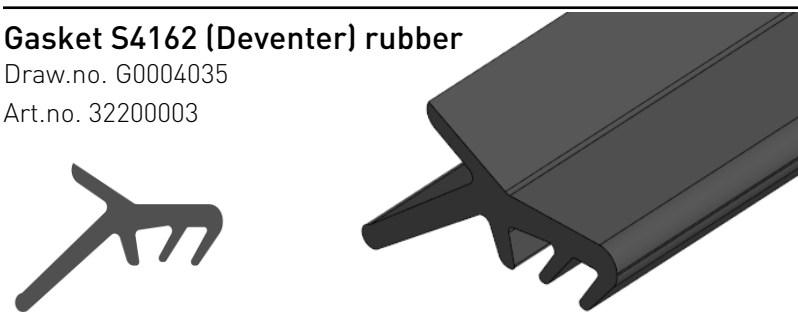
Draw.no. T1101062
 Art.no. 32200001


Flap

Draw.no. A1028034
 Art.no. 32200002

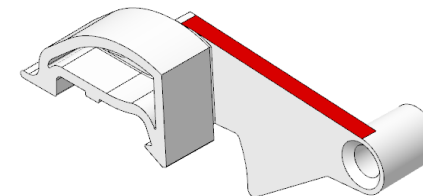

Gasket S4162 (Deventer) rubber

Draw.no. G0004035
 Art.no. 32200003

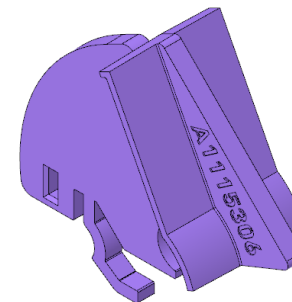

Handle - Corto

Right: Draw.No. A1100077 Art.No. 32200004
 Left: Draw.no. A1100079 Art.no. 32200005

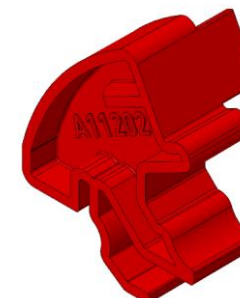
Colour: black/white


Flap centrepiece Corto

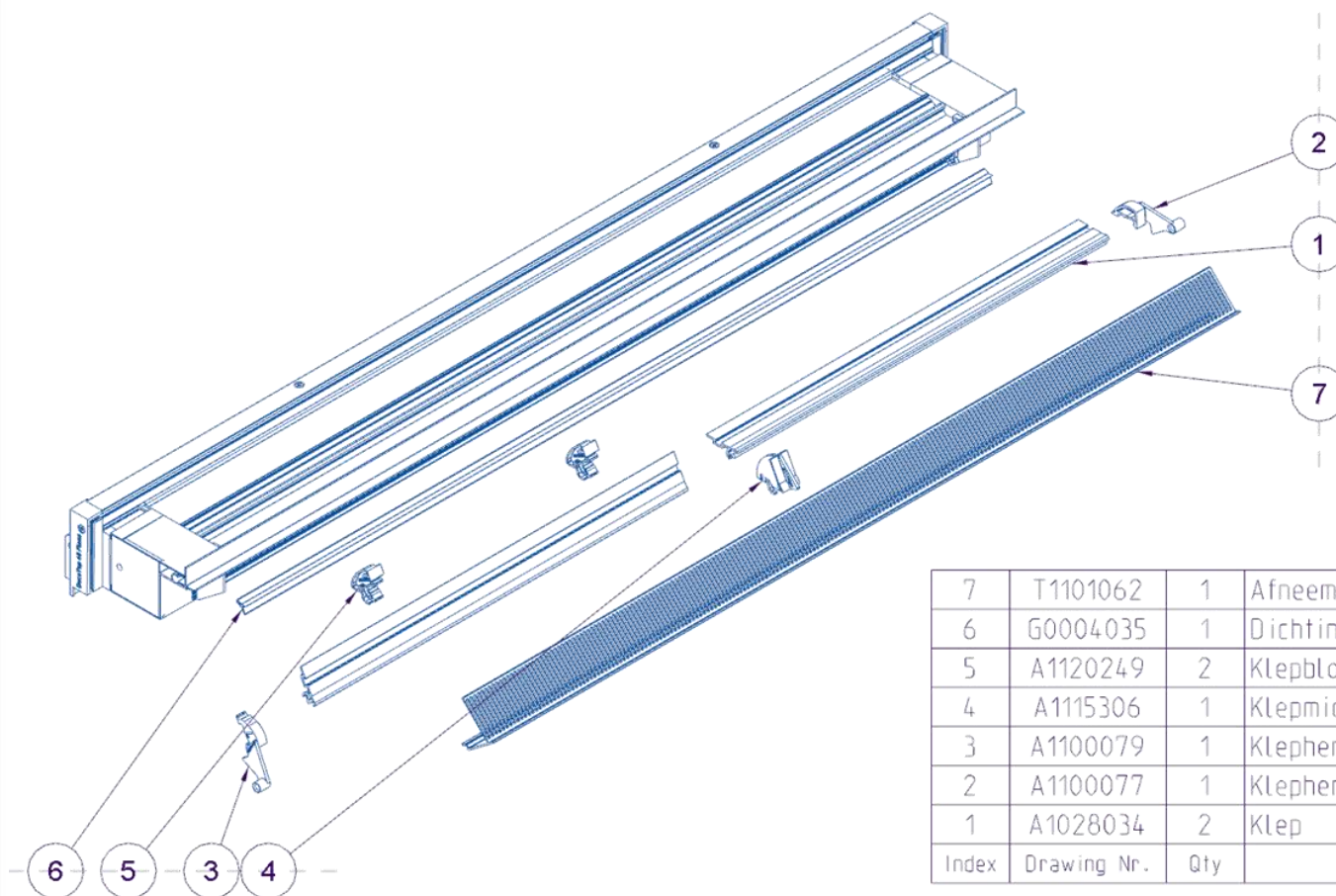
Draw.no. A1115306
 Art. no. 32200008


Flap locking piece Corto

Draw.no. A1120249
 Art.no. 32200009



1 Parts TopVent BE Corto

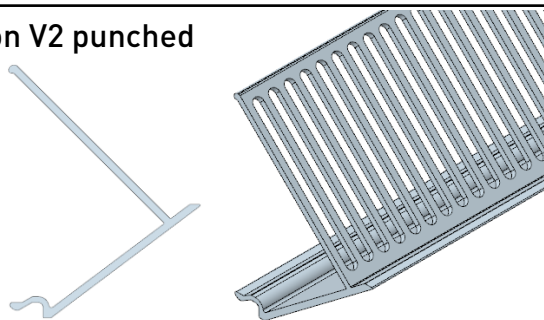


7	T1101062	1	Afneembaar profiel V2 geponst
6	G0004035	1	Dichtingsrubber ATC4
5	A1120249	2	Klepblokkeerstuk Corto
4	A1115306	1	Klep middenstuk Corto
3	A1100079	1	Klephendel Corto Links
2	A1100077	1	Klephendel Corto Rechts
1	A1028034	2	Klep
Index	Drawing Nr.	Qty	Description

Removable section V2 punched

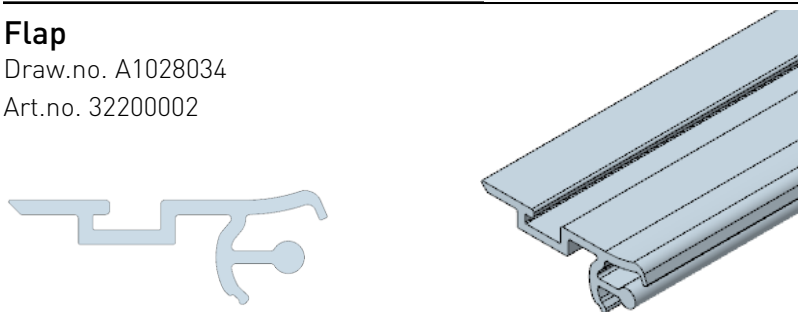
Draw.no. T1101062

Art.no. 32200001

**Flap**

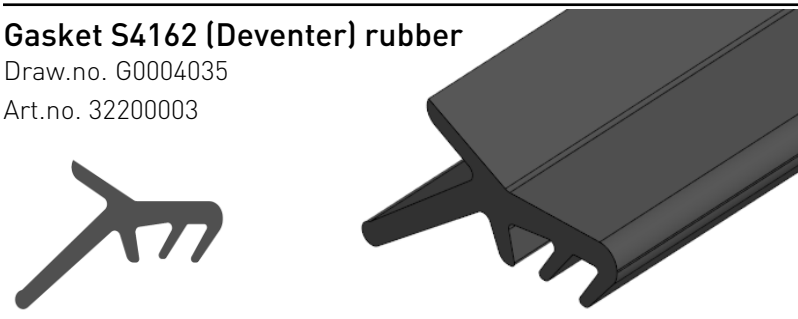
Draw.no. A1028034

Art.no. 32200002

**Gasket S4162 (Deventer) rubber**

Draw.no. G0004035

Art.no. 32200003

**Connecting piece, inside**

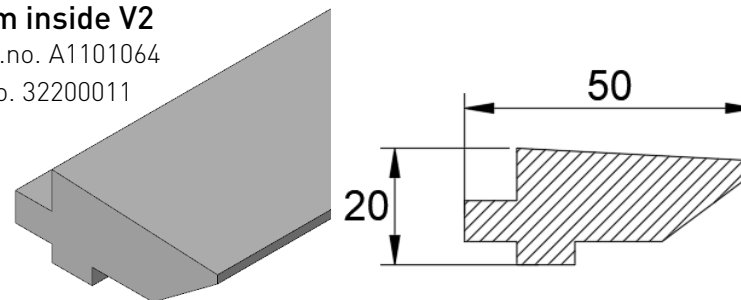
Draw.no. A1028469

Art.no. 32200010

**Foam inside V2**

Draw.no. A1101064

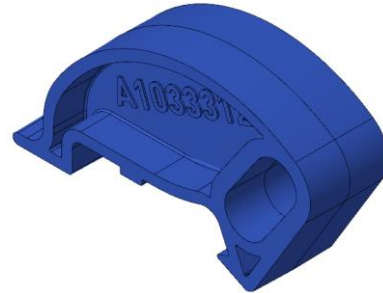
Art.no. 32200011



Flap control piece

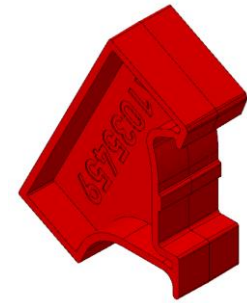
Draw.no. A1033312

Art.no. 32200015

**Flap locking piece**

Draw.no. A1035459

Art.no. 32200021

**Handle Medio - Alto - Largo**

Right: draw.no. A1033313 art.no. 32200016

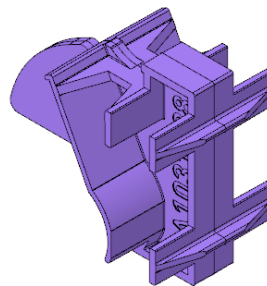
Left: draw.no. A1033314 art.no. 32200017

Colour: black/white

**Flap centrepiece**

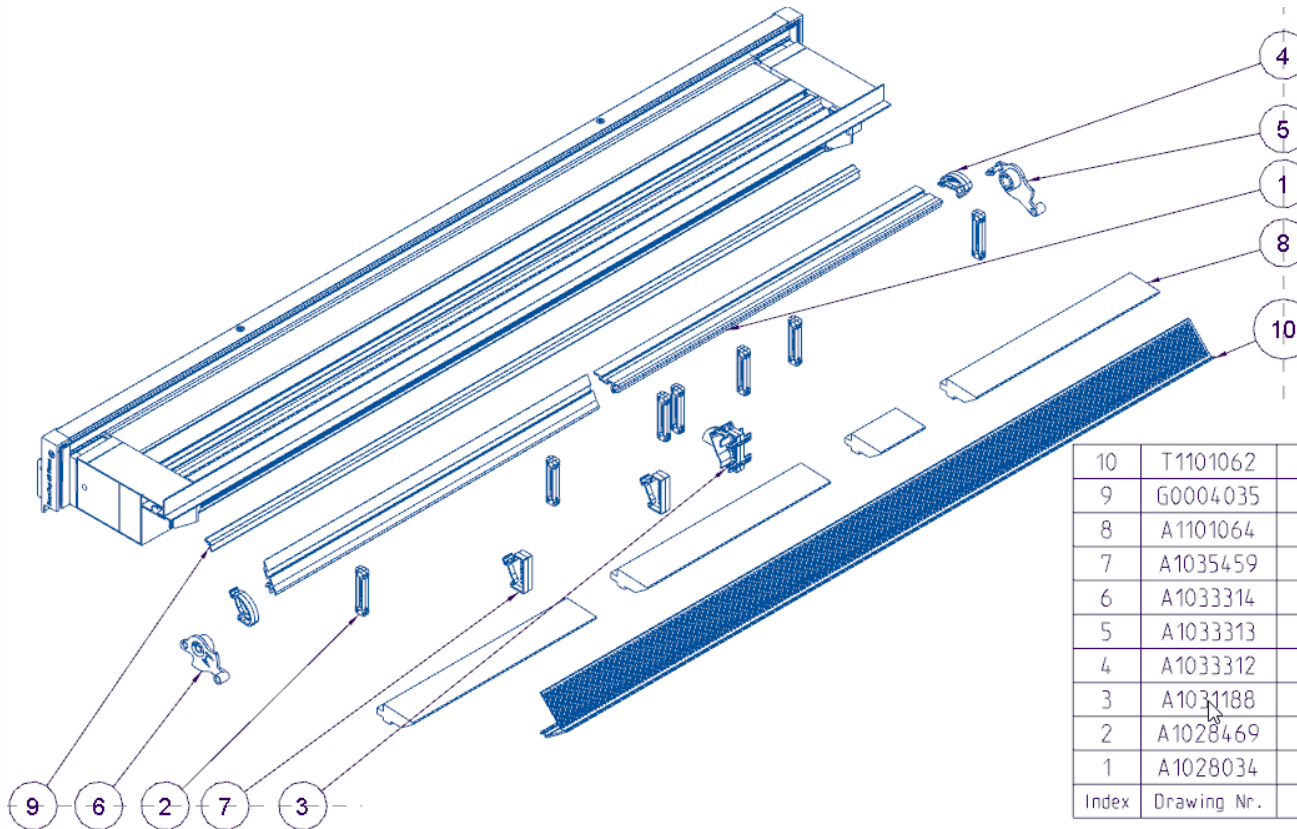
Draw.no. A1031188

Art.no. 32200020



2

Parts TopVent BE Medio, Alto & Largo

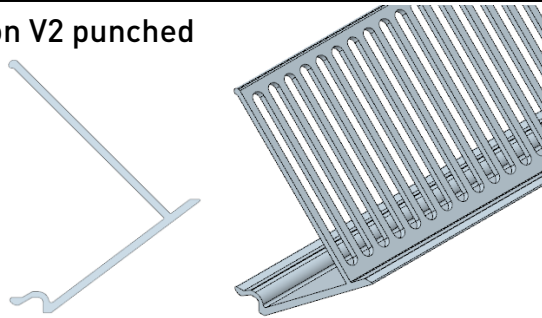


10	T1101062	1	Afneembaar profiel V2 geponst
9	G0004035	1	Dichtingsrubber ATC4
8	A1101064	4	Mousse binnen V2
7	A1035459	2	Klepblokkeerstuk
6	A1033314	1	Hendel Links
5	A1033313	1	Hendel Rechts
4	A1033312	2	klepbedieningsstuk
3	A1031188	1	Klepmiddenstuk
2	A1028469	7	Koppelstuk binnenzijde
1	A1028034	2	Klep
Index	Drawing Nr.	Qty	Description

Removable section V2 punched

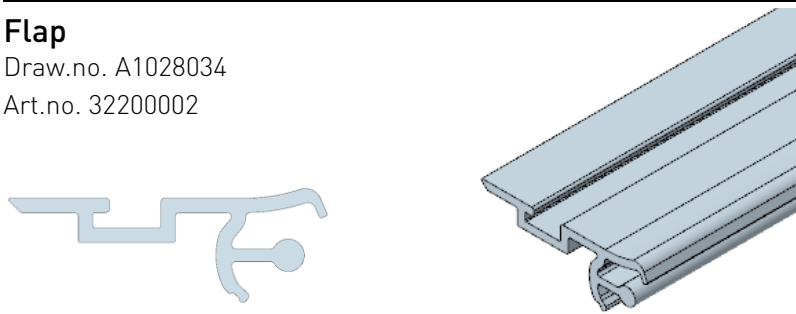
Draw.no. T1101062

Art.no. 32200001


Flap

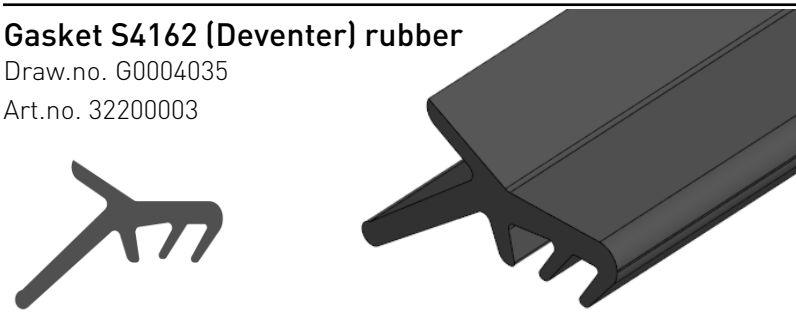
Draw.no. A1028034

Art.no. 32200002


Gasket S4162 (Deventer) rubber

Draw.no. G0004035

Art.no. 32200003


Connecting piece, inside

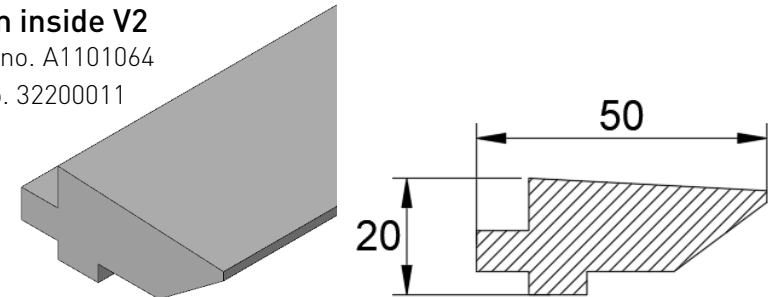
Draw.no. A1028469

Art.no. 32200010


Foam inside V2

Draw.no. A1101064

Art.no. 32200011



Infill section for Tronic end piece

Draw.no. A1115664

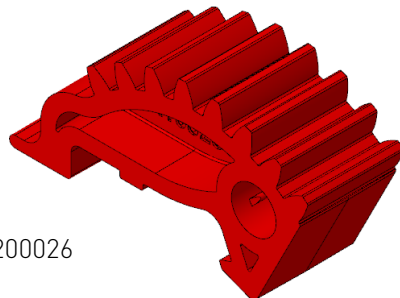
Art.no. 3200025

Colour: black/white



Gear piece

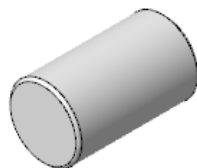
A1032310



A1032310 + A1029094 : Art.no. 32200026

Magnet Ø5 x 8.5 Ni-Cu-Ni

A1029094

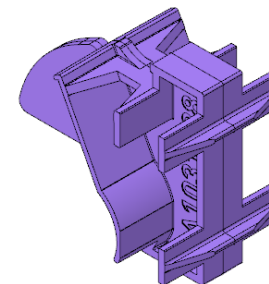


A1032310 + A1029094 : Art.no. 32200026

Flap centrepiece

Draw.no. A1031188

Art.no. 32200021



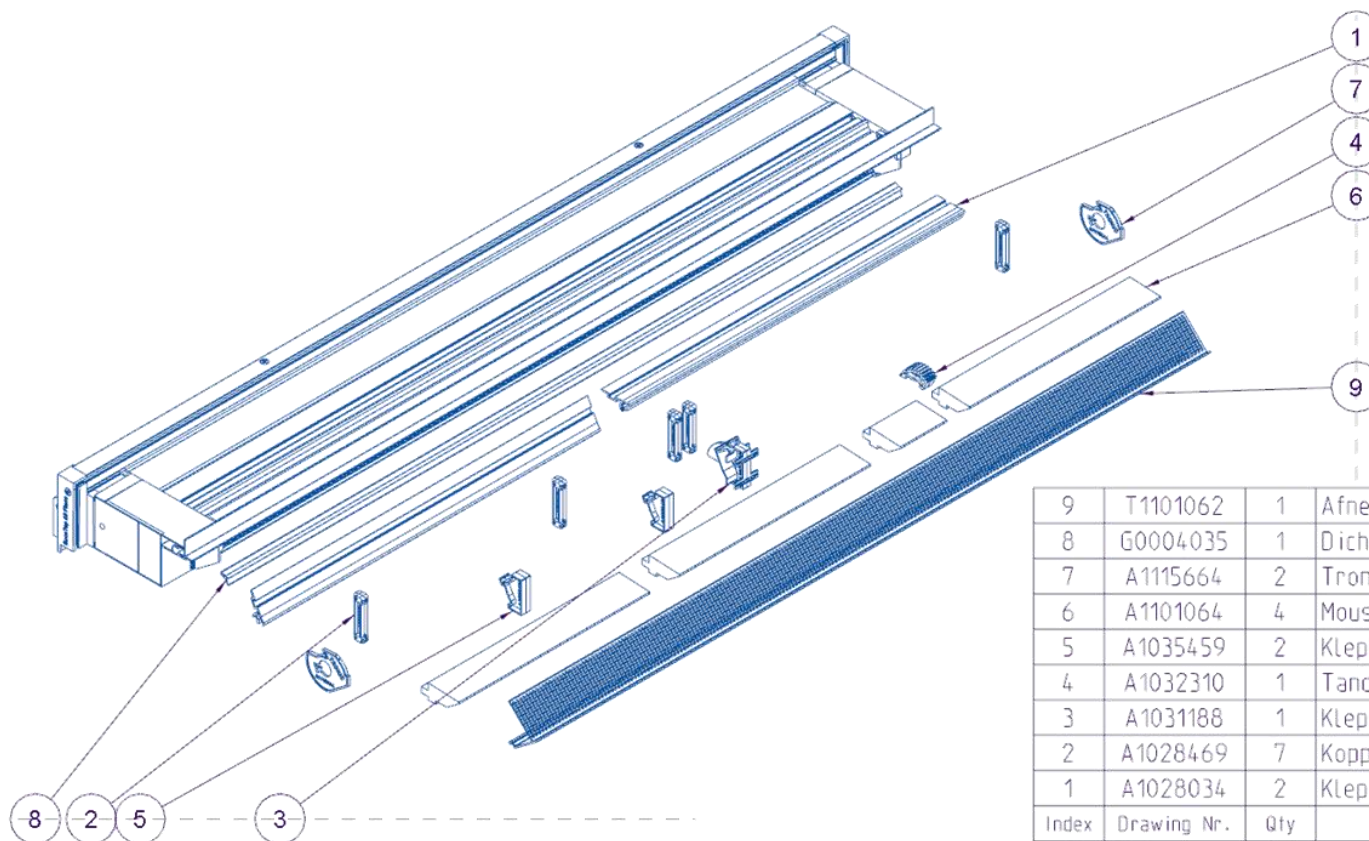
Flap locking piece

Draw.no. A1035459

Art.no. 32200021



3 Parts TronicVent BE

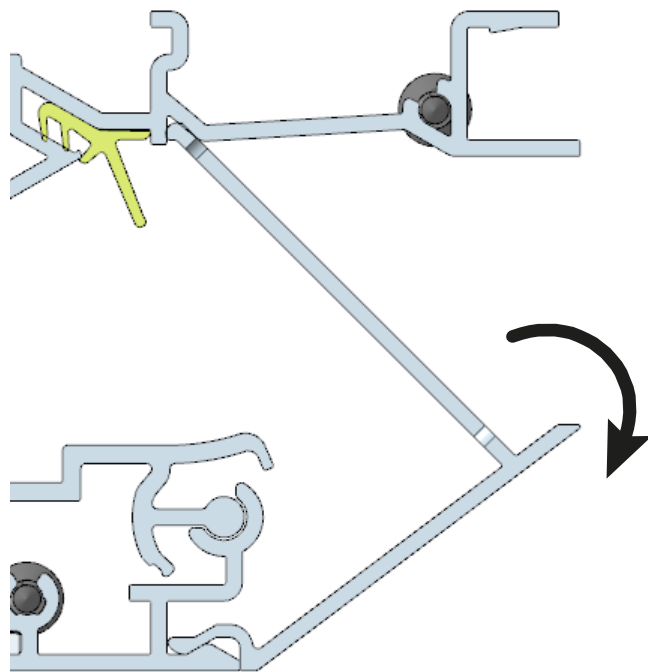


9	T1101062	1	Afneembaar profiel V2 geponst
8	G0004035	1	Dichtingsrubber ATC4
7	A1115664	2	Tronic kopschot opvulplaatje
6	A1101064	4	Mousse binnen V2
5	A1035459	2	Klepblokkeerstuk
4	A1032310	1	Tandwielstukje
3	A1031188	1	Klepmiddenstuk
2	A1028469	7	Koppelstuk binnenzijde
1	A1028034	2	Klep
Index	Drawing Nr.	Qty	Description

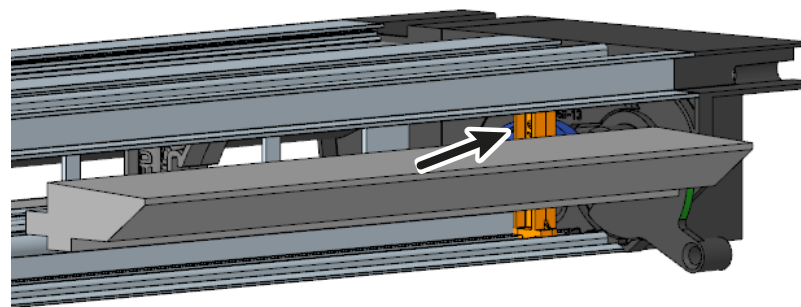
4

Disassembling inner cover and foam

Remove the inner cover.

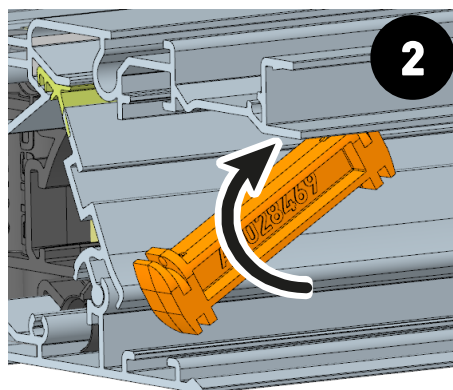
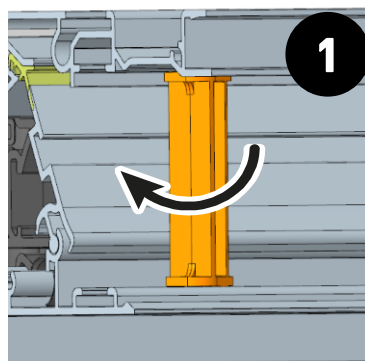


If necessary, remove the foam.



5 Disassembling connecting pieces

If necessary, remove the connecting pieces.

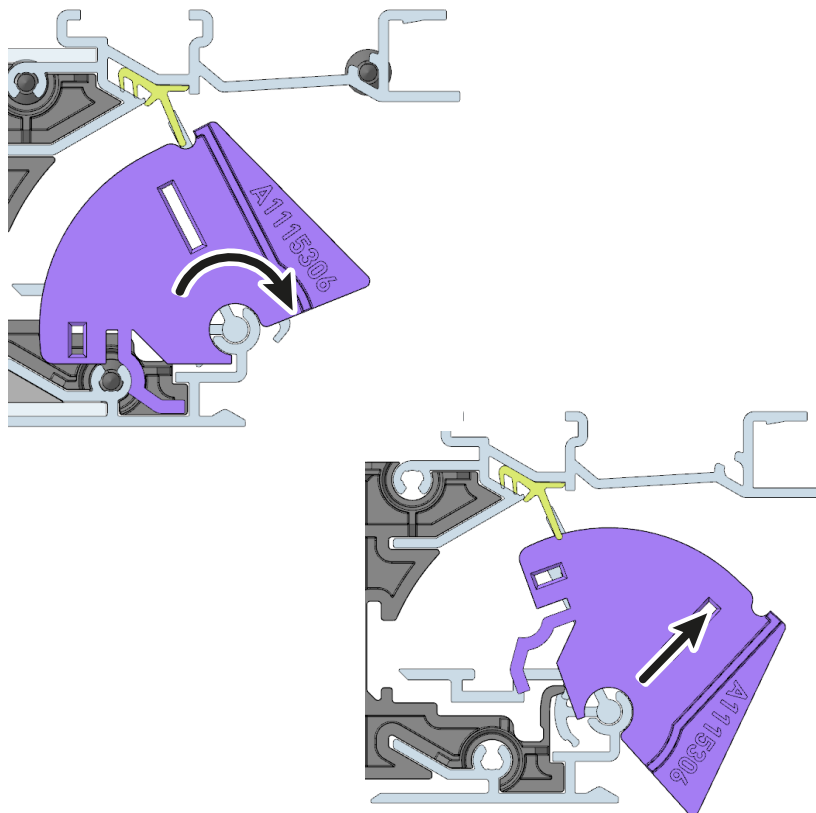


6

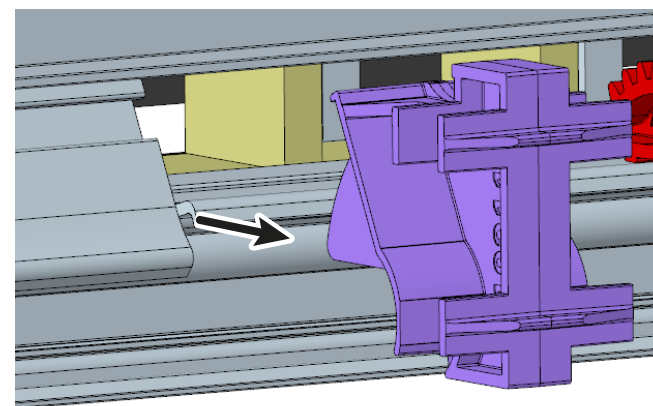
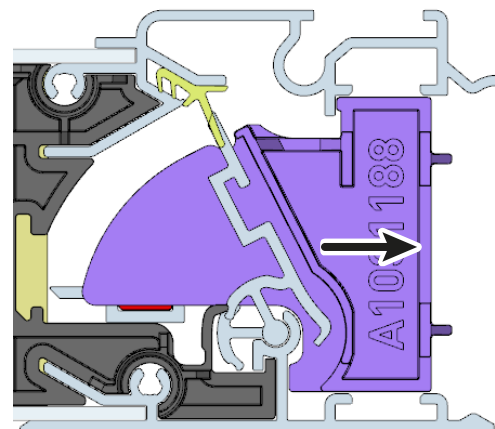
Disassembling valve centrepiece

If necessary, remove the valve centrepieces.

Corto



Medio, Alto & Largo



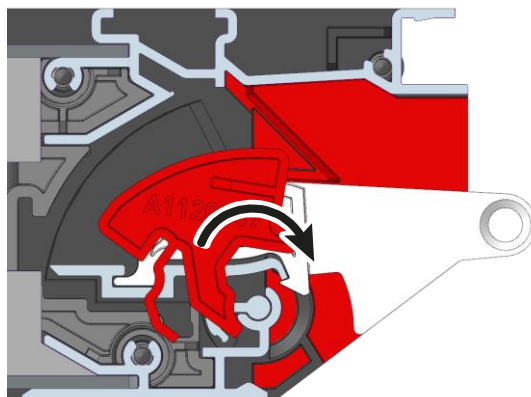
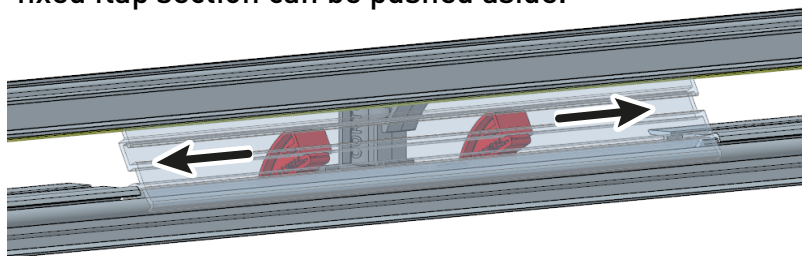
7

Disassembling flap locking piece

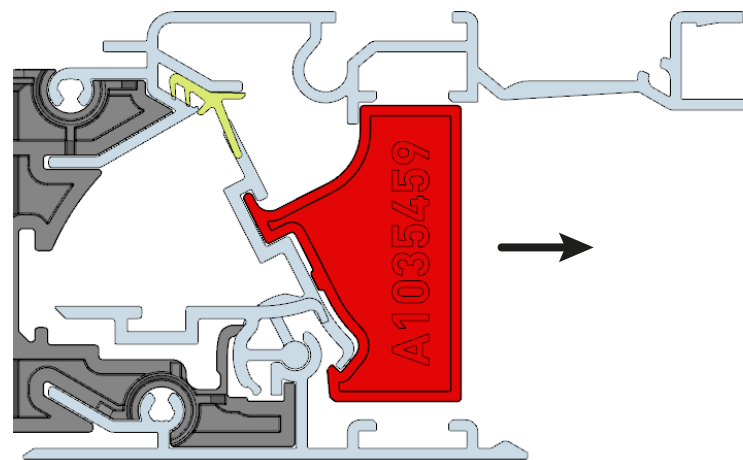
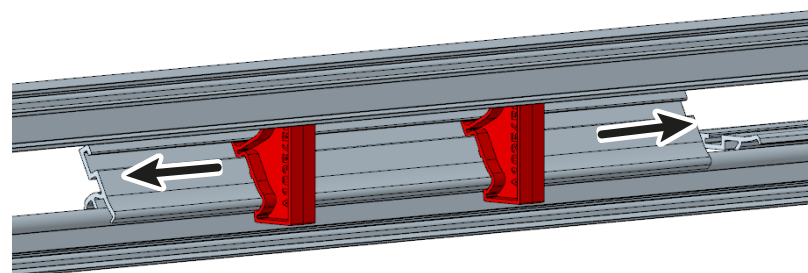
If necessary, remove the flap locking pieces.

Corto

With the Corto, this step can only be done after the flap of the operable section has already been removed from the window ventilator. If the flap locking pieces are too far behind the flap, the fixed flap section can be pushed aside.



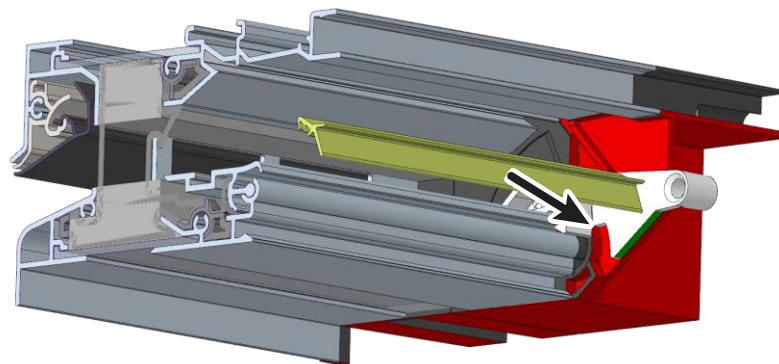
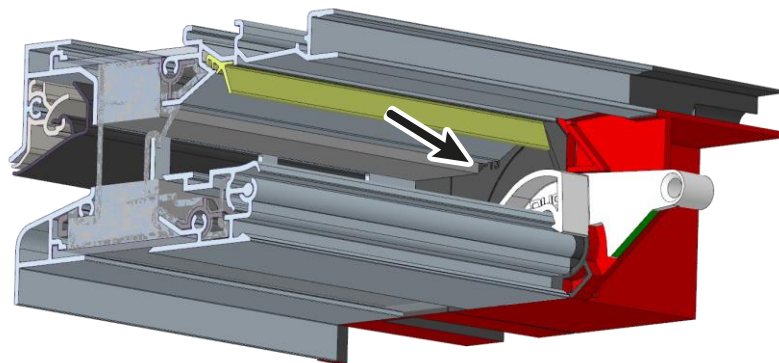
Medio, Alto & Largo



8

Disassembling rubber

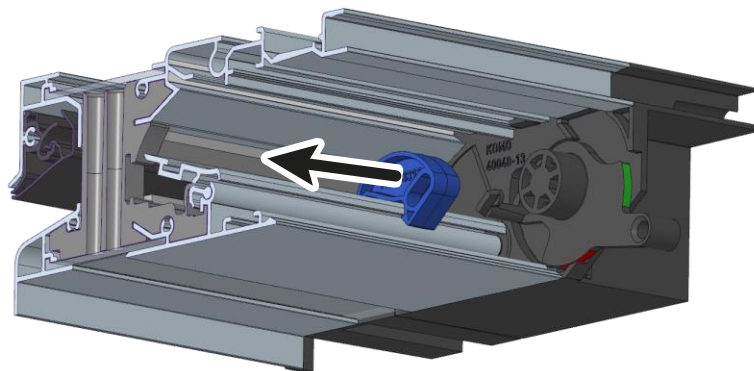
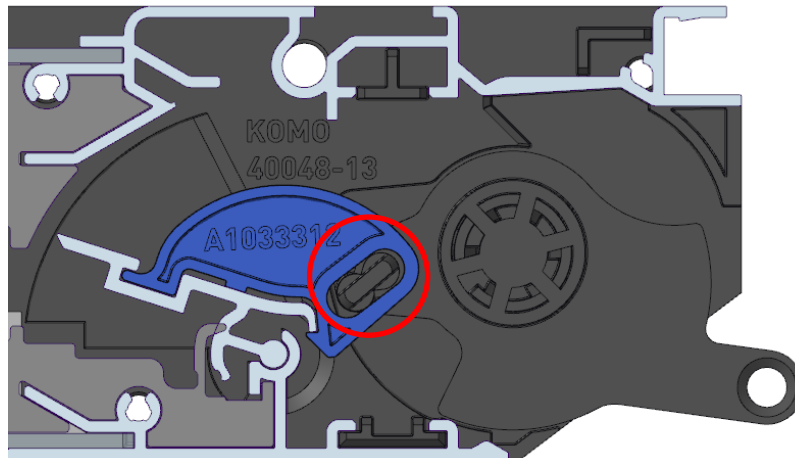
Remove the rubber at the top of the window ventilator.



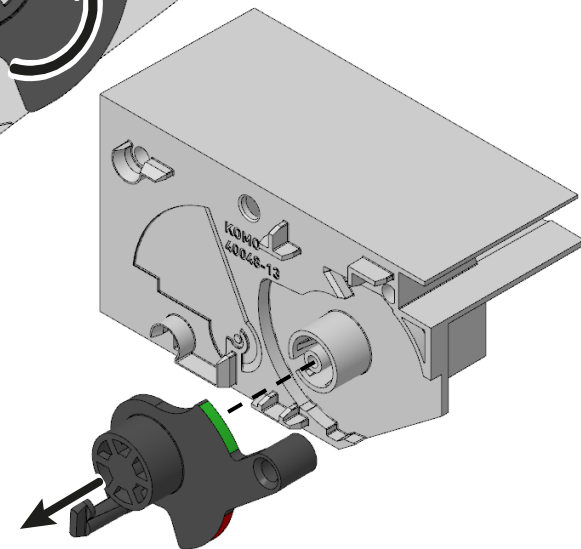
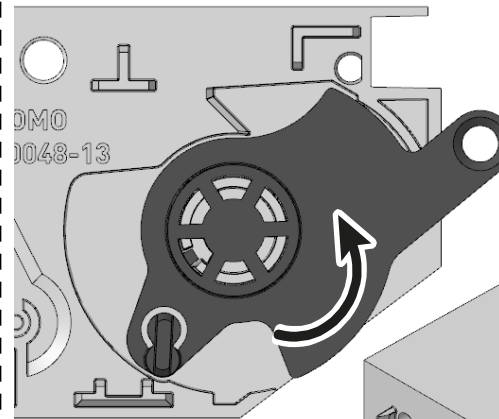
9

Disassembling handle

For TopVent Medio, Alto or Largo, align the flap so that the flap control piece can slide over the handle tab.

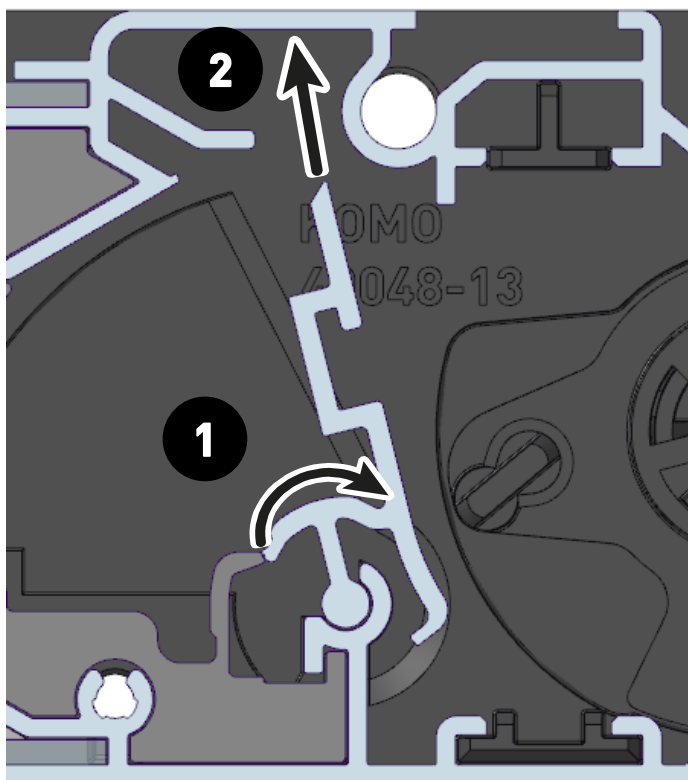


For TopVent Medio, Alto or Largo, turn the handle all the way up so that it can be detached from the end piece.

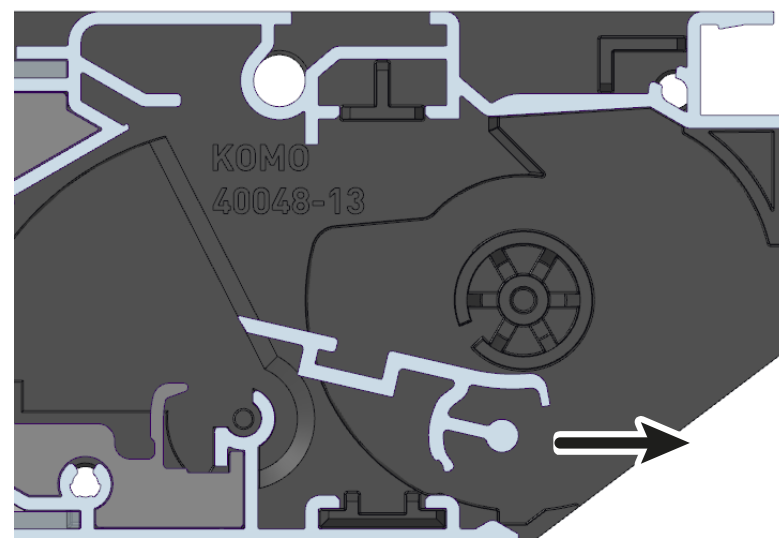


10 Disassembling ventilation flap

Turn the flap upwards until it is almost vertical. Then push up the flap.



The flap can then be removed from the window ventilator at the front.



11 Mounting ventilation flap

To reassemble the flap, it is best to place it horizontally. Push the flap against the tabs of the connecting pieces, then push down at an angle so that the flap clicks into place.

