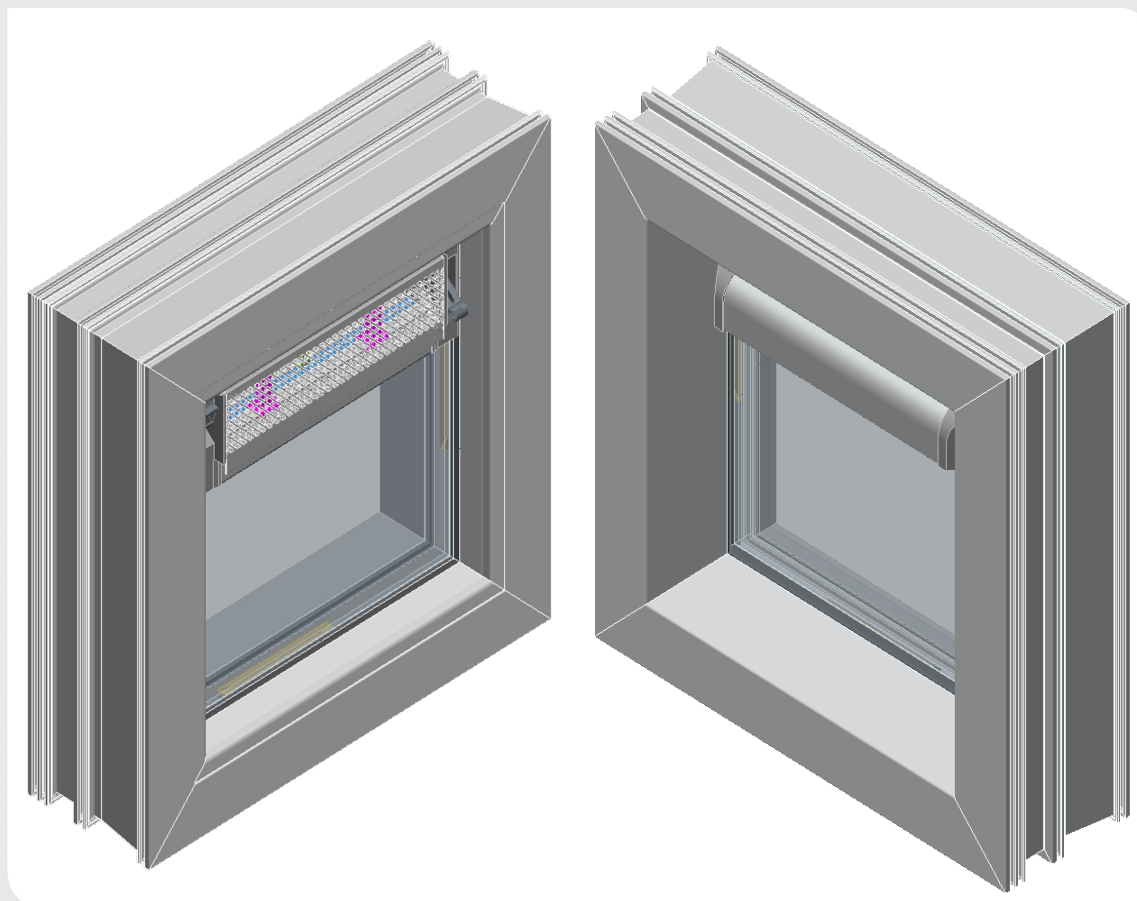


Glass-mounted window ventilators

L0004126 12/06/2024



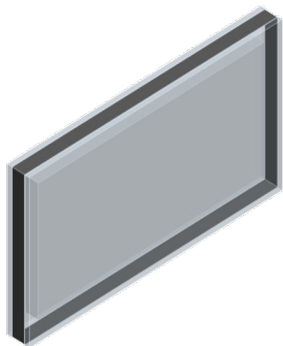
CONTENTS

1. Dry glazing
2. Wet glazing
3. Attachments

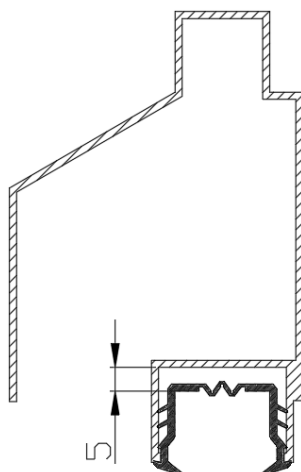
Mounting instructions applicable to all DUCO glass-mounted window ventilators except FireMax & SkyMax

1 Dry glazing

1. Take the glass for the provided window ventilator.



2. Select the rubber gasket with the right width and height.

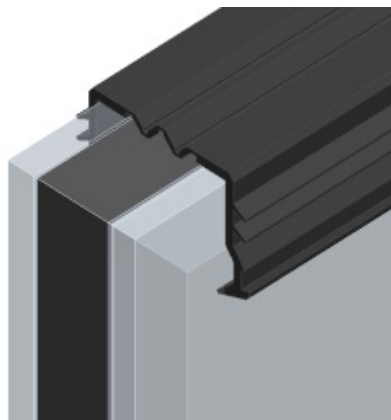


Type of rubber gaskets:

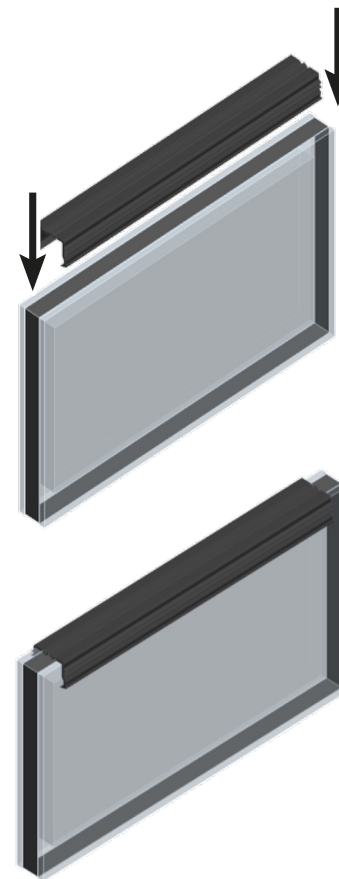
Article number	Glazing gasket	Glass thickness
1330	GG 12	6
1331	GG 21	15
1334	GG 26-30	20-24
1337	GG 32-36	26-30
1900	GG 38-42	32-36
1880	GG 44-50	38-44
1917	GG 52-56	46-50
1918	GG 58-64	52-58

1 Dry glazing

3. Cut the rubber gasket to the correct length. Length of glazing gasket = total ventilator size - (2x rebate). E.g. rebate 40mm → gasket = total size ventilator - 80mm.

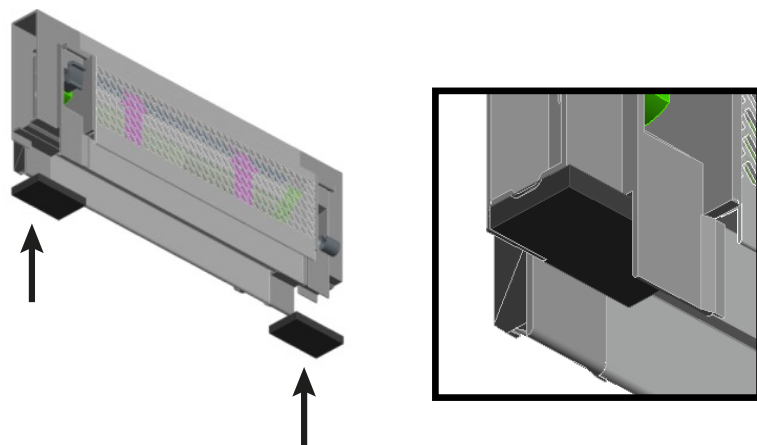


4. Place the gasket centrally on the glass.



1 Dry glazing

5. Take the window ventilator and check that a joint sealing tape is glued into the rebate on both sides.



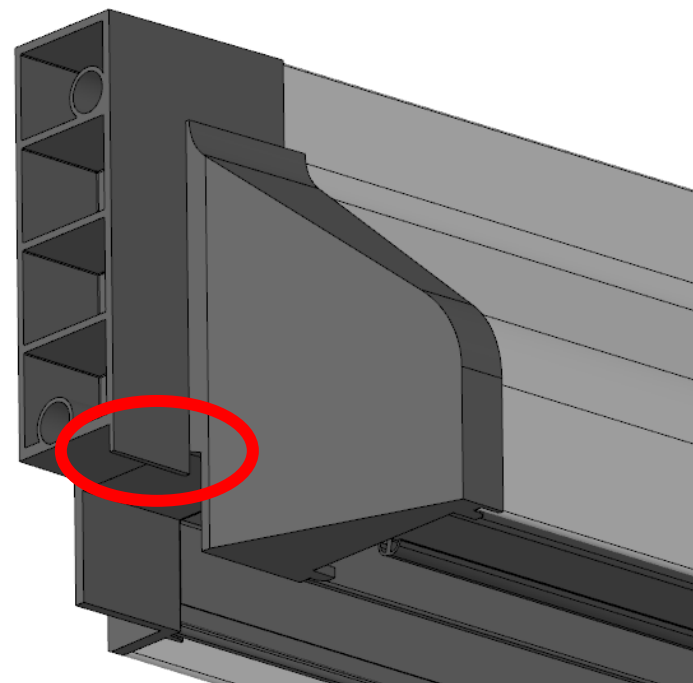
joint sealing tape: **25/4-8**

Type: Open cell polyurethane foam tape, impregnated with a polymer dispersion with fire-retardant additives.

The joint sealing tape must fit nicely on the side of the end piece or rebate block. This joint sealing tape must overlap the gasket on both sides by at least 20mm! E.g. rebate = 40mm → joint sealing tape must be at least 60mm long.

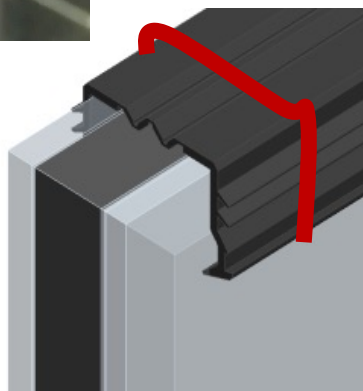
If the joint sealing tape is narrower than the glazing channel, it should be applied on the **outside** of the window ventilator.

6. Break off the tabs at the bottom of the end pieces.

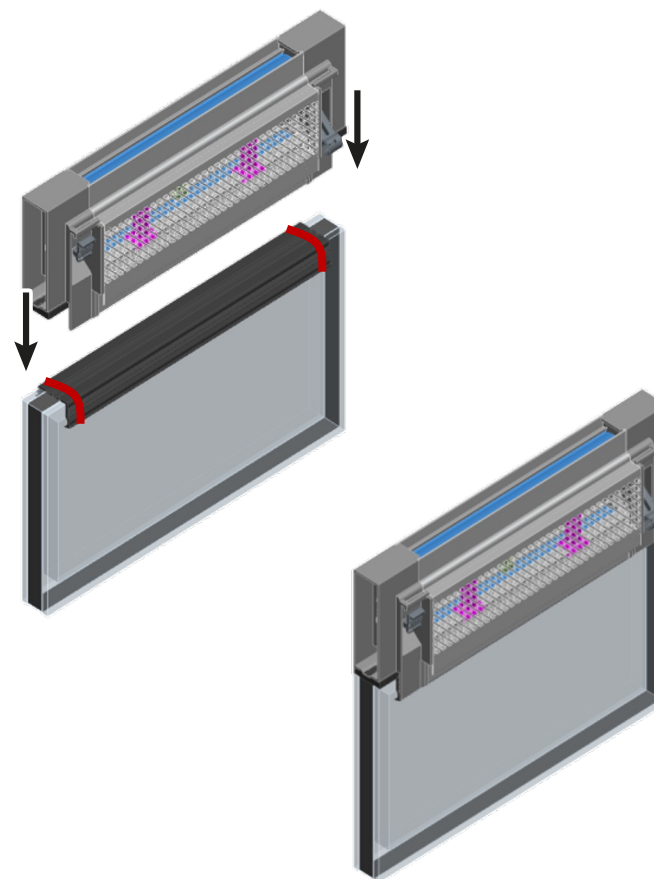


1 Dry glazing

7. Lay a continuous silicone seal 1 cm from the sides of the glazing gasket.

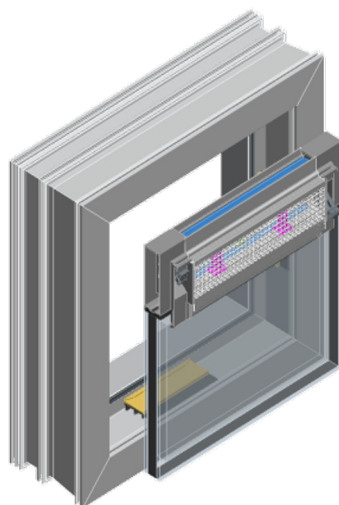


8. Place the window ventilator over the rubber gasket on the glass and press firmly.

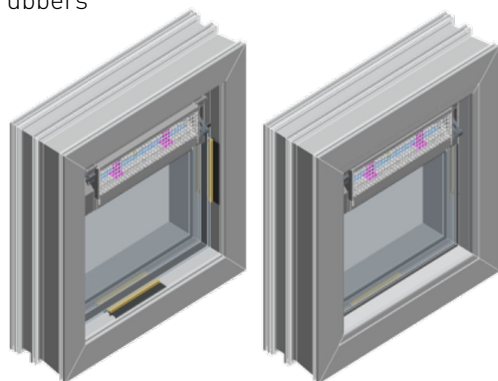


1 Dry glazing

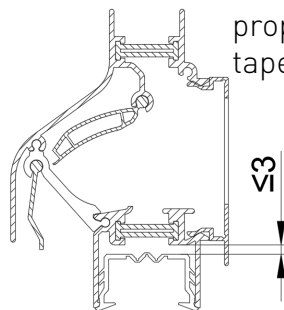
9. Place the glass with the window ventilator in the window.



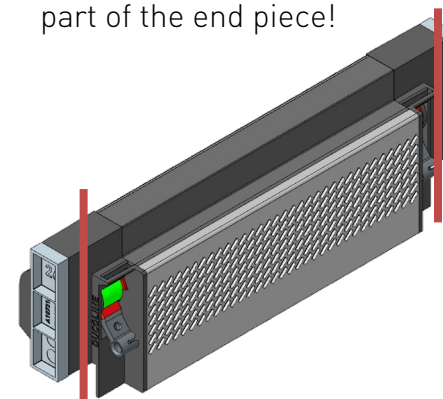
10. Attach the glazing bars and sealing rubbers to the window.



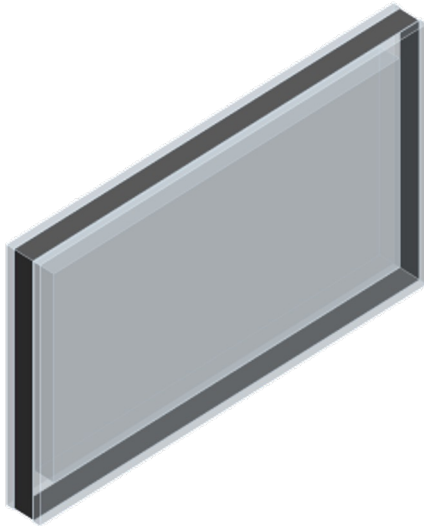
When mounting, take care that the window ventilator fits tightly to the glass. In doing so, the distance between the window ventilator and the glass with rubber should not exceed 3mm to ensure proper functioning of the joint sealing tape.



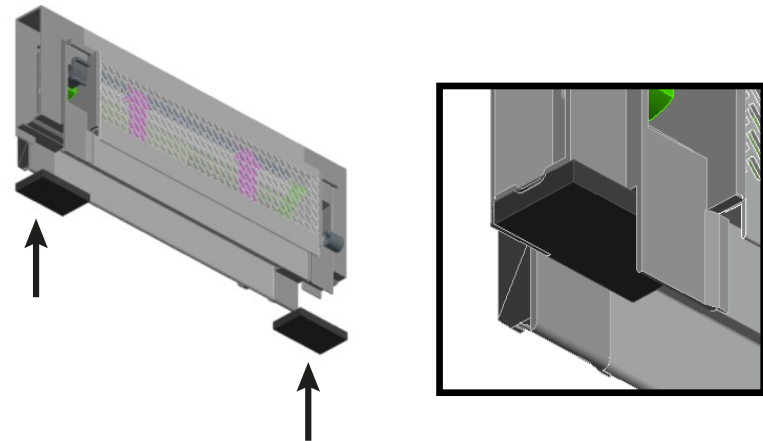
For rebate 25 mm with filler blocks: The filler blocks must always be completely behind the glazing bar. The glazing bars must clamp onto the fixed part of the end piece!



1. Take the glass for the provided window ventilator.



2. Take the window ventilator and check that a joint sealing tape is glued into the rebate on both sides.



joint sealing tape: 25/4-8

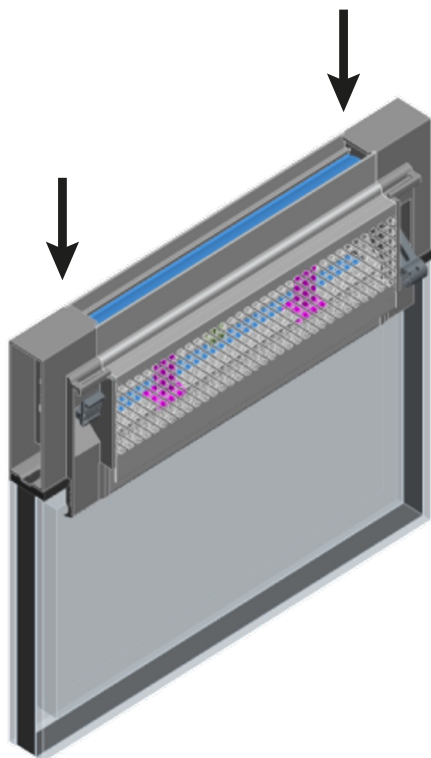
Type: Open cell polyurethane foam tape, impregnated with a polymer dispersion with fire-retardant additives.

The joint sealing tape must fit nicely on the side of the end piece or rebate block. This joint sealing tape must overlap the gasket on both sides by at least 20mm! E.g. rebate = 40mm → joint sealing tape must be at least 60mm long.

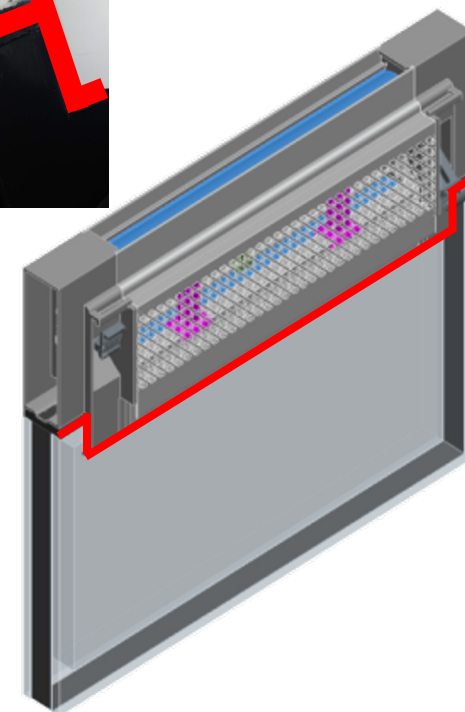
If the joint sealing tape is narrower than the glazing channel, it should be applied on the **outside** of the window ventilator.

2 Wet glazing

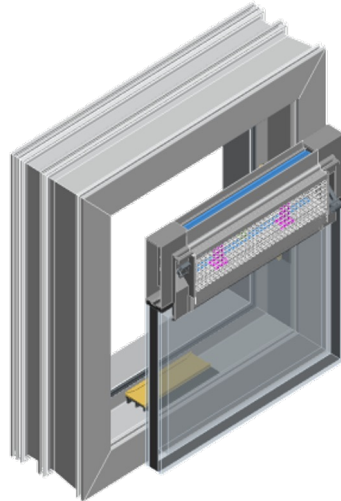
3. Place the window ventilator over the glass and press firmly. Use the correct backfill to be able to seal correctly.



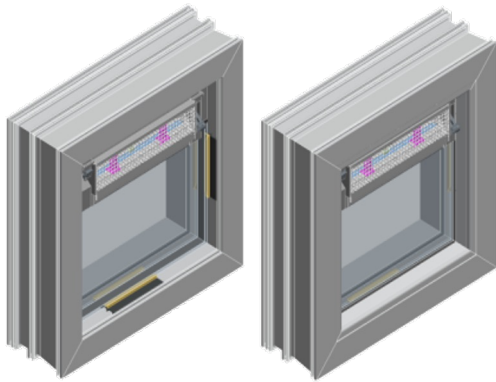
4. Putty all seams between the glass and the window ventilator. For the best seal, it is best to do this on both the outside and inside. Especially when mounting above 20m.



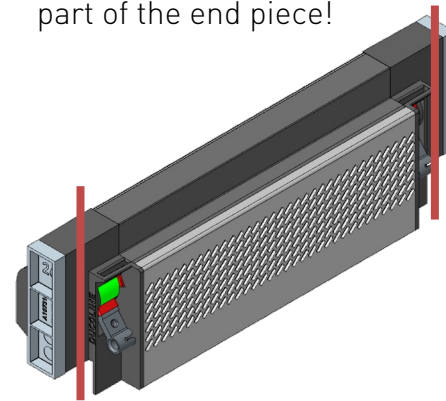
5. Place the glass with the window ventilator in the window.



6. Attach the glazing bars to the window.

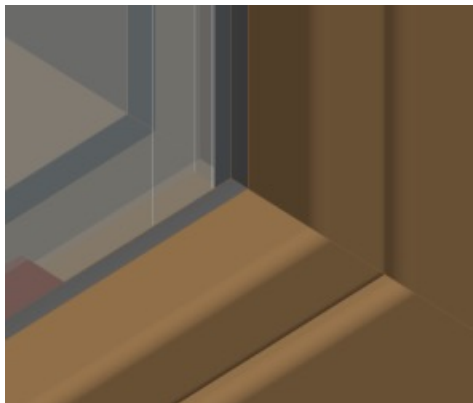


For rebate 25 mm with filler blocks:
The filler blocks must always be completely behind the glazing bar. The glazing bars must clamp onto the fixed part of the end piece!



2 Wet glazing

7. Putty according to the rules of the art.

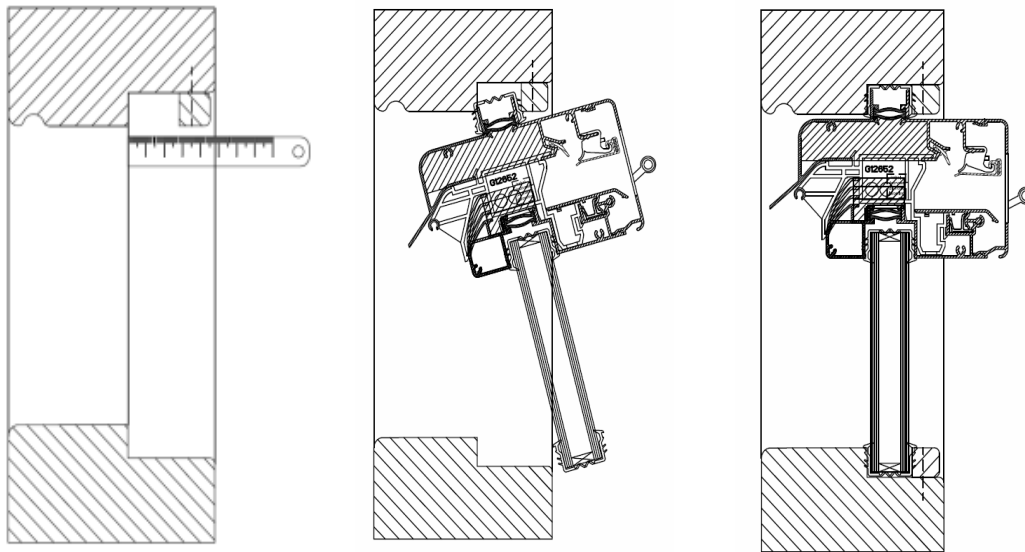


3

Attachments : dry glazing

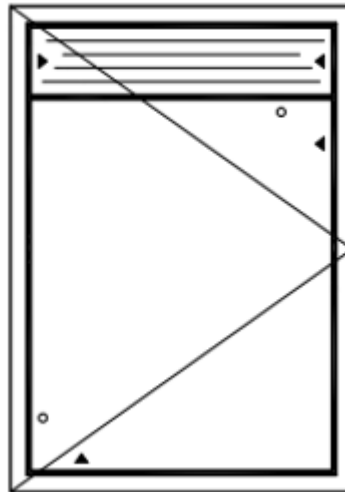
Option only for DucoMax 'ZR' and GlasMax 'ZR' in wooden window:

- Fix the top glazing bar to the desired width (glass size + 6mm).
- Place the glazing rubber all around (round window ventilator with glass).
- Tilt the window ventilator with the glass into the window.
- Attach the remaining glazing bars.



Specific guidelines for window ventilators placed in a moving part according to NPR 3577 (wooden window frames).

It is preferable to **avoid window ventilators in moving parts**, given the associated negative impact on the structural strength of the moving part. If a window ventilator is yet placed in a moving part, this window ventilator should be fixed on the sides to the post (see figure below).



For mounting window ventilators in hinged parts in plastic and aluminium windows, follow the specific instructions